



CATALOG OF REPLACEMENT PARTS

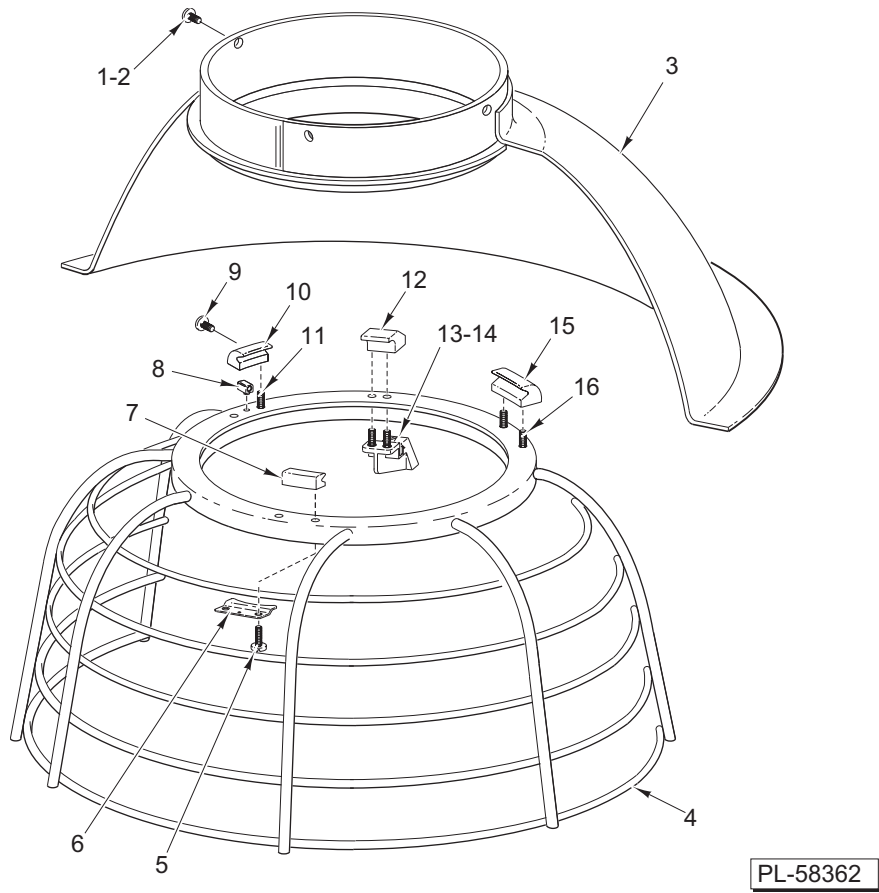
BOWL GUARDS MODELS

A200	P660
D300	L800
D330	M802
D340	V1401
H600	

TABEL OF CONTENTS

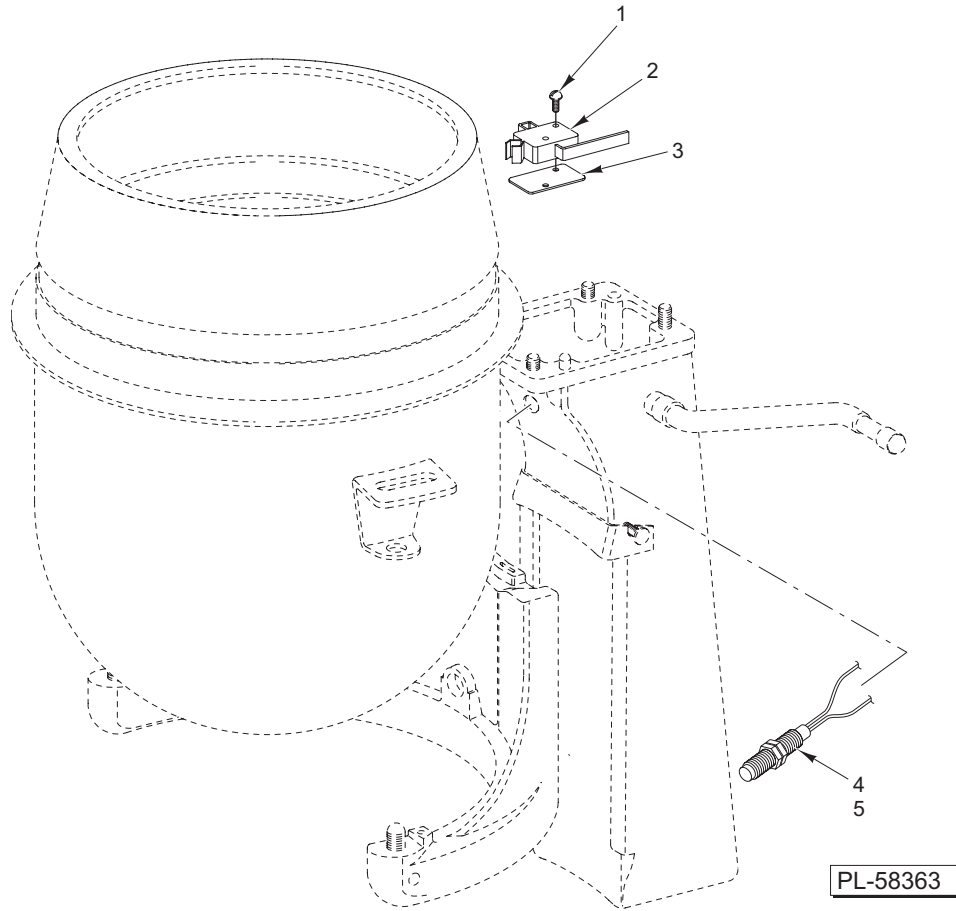
4	A200 BOWL GUARD UNIT
5	A200 BOWL GUARD INTERLOCK AND HEIGHT SENSING
7	D300 BOWL GUARD UNIT (Machines Built Prior To 11/2004)
9	D300 BOWL GUARD UNIT (Machines Built On Or After 11/2004)
11	D300 BOWL HEIGHT SENSING UNIT
13	D330 BOWL GUARD UNIT
15	D330 BOWL GUARD INTERLOCK AND HEIGHT SENSING
17	D340 BOWL GUARD UNIT (Machines Built Prior To 11/2004)
19	D340 BOWL GUARD UNIT (Machines Built On Or After 11/2004)
21	D340 BOWL LOCK, BOWL GUARD INTERLOCK, AND HEIGHT SENSING
23	H600/L800 BOWL GUARD UNIT (Machines Built Prior To 11/2004)
25	H600/L800 BOWL GUARD UNIT (Machines Built On Or After 11/2004)
27	H600/L800 BOWL LOCK, BOWL GUARD INTERLOCK, AND HEIGHT SENSING
29	P660 BOWL GUARD UNIT (Machines Built Prior To 11/2004)
31	P660 BOWL GUARD UNIT (Machines Built On Or After 11/2004)
33	P660 BOWL LOCK, BOWL GUARD INTERLOCK, AND HEIGHT SENSING
35	M802/V1401 BOWL GUARD (Machines Built Prior To 11/2004)
37	M802/V1401 BOWL GUARD (Machines Built On Or After 11/2004)
39	M802/V1401 BOWL GUARD INTERLOCK AND LIMIT SWITCH

BOWL GUARD REPLACEMENT PARTS



A200 BOWL GUARD UNIT

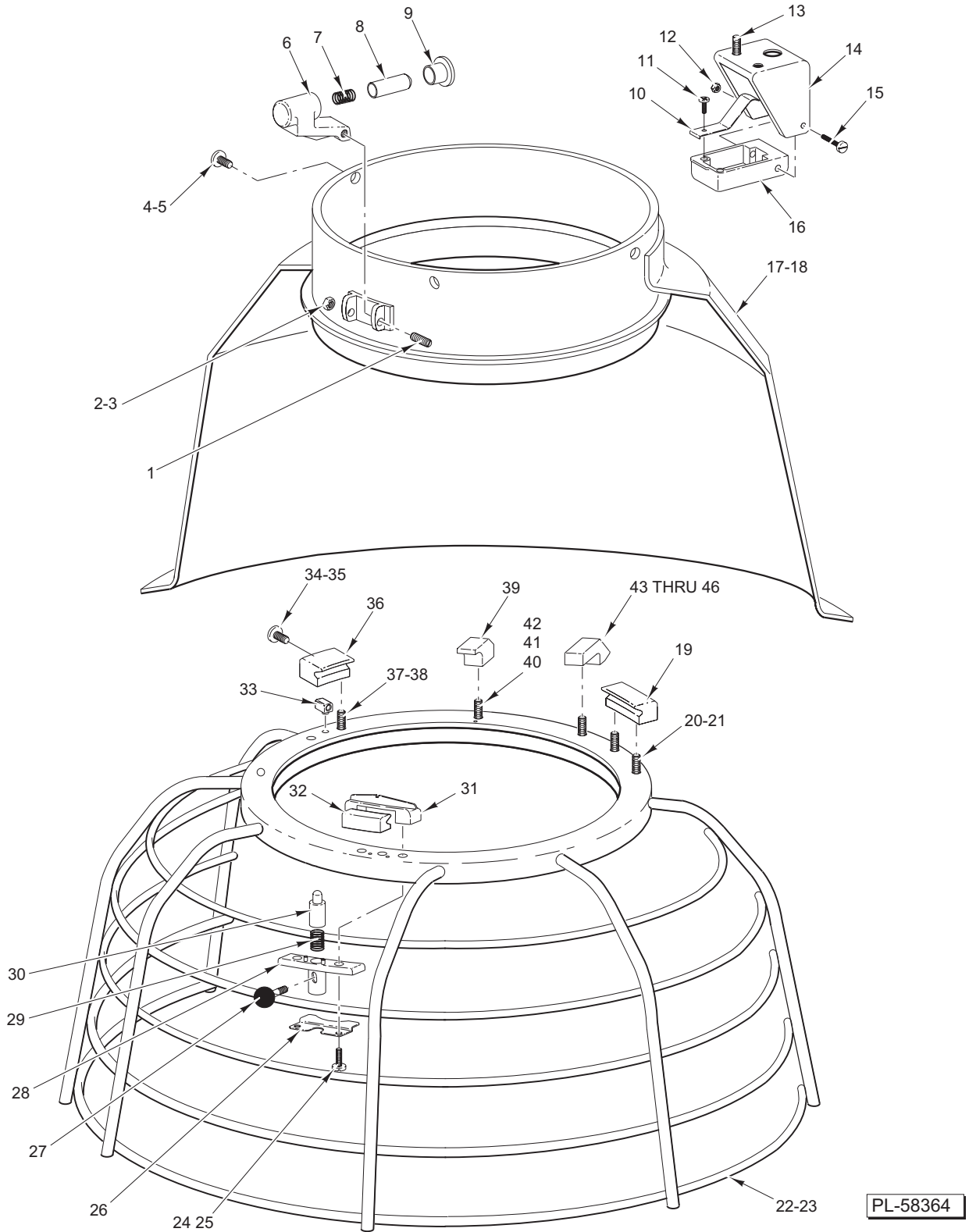
ILLUS.	PART NO.	NAME OF PART	AMT.
PL-58362			
1	SC-066-13	Mach. Screw 8-32 x 1/4 Phil. Truss Hd. (Painted and Deluxe).....	3
2	SC-128-73	Mach. Screw 8-32 x 1/4 Tx. Button Hd. (SST) (ML-134091).....	3
3	00-438533	Guard & Drip Cup Assy.	1
4	00-438523	Wire Cage Weldment.....	1
5	SC-122-44	Mach. Screw 8-32 x 3/8 Truss Hd.	2
6	00-438530	Stop - Cage.....	1
7	00-438527-00001	Shoe - Front.....	1
8	00-438526	Key - Shoe.....	1
9	SC-122-82	Mach. Screw 4-40 x 7/16 Oval Hd.....	1
10	00-438527-00003	Shoe - Adjustable.....	1
11	SC-122-44	Mach. Screw 8-32 x 3/8 Truss Hd.	2
12	00-438539	Bumper - Cage.....	1
13	00-438525	Retainer - Magnet.....	1
14	SC-122-83	Mach. Screw 6-32 x 3/8 Truss Hd.	2
15	00-438527-00002	Shoe - Fixed.....	1
16	SC-122-44	Mach. Screw 8-32 x 3/8 Truss Hd.	2



A200 BOWL GUARD INTERLOCK AND HEIGHT SENSING

ILLUS.	PART NO.	NAME OF PART	AMT.
PL-58363			
1	SC-060-40	Mach. Screw 4-40 x ⁵ / ₈ Slotted Rd. Hd.....	2
2	00-087711-00248	Switch – Bowl Height.....	1
3	00-439892	Insulator – Switch.....	1
4	00-087711-252-1	Switch – Reed.....	1
5	00-875859	Washer – Friction.....	1

BOWL GUARD REPLACEMENT PARTS

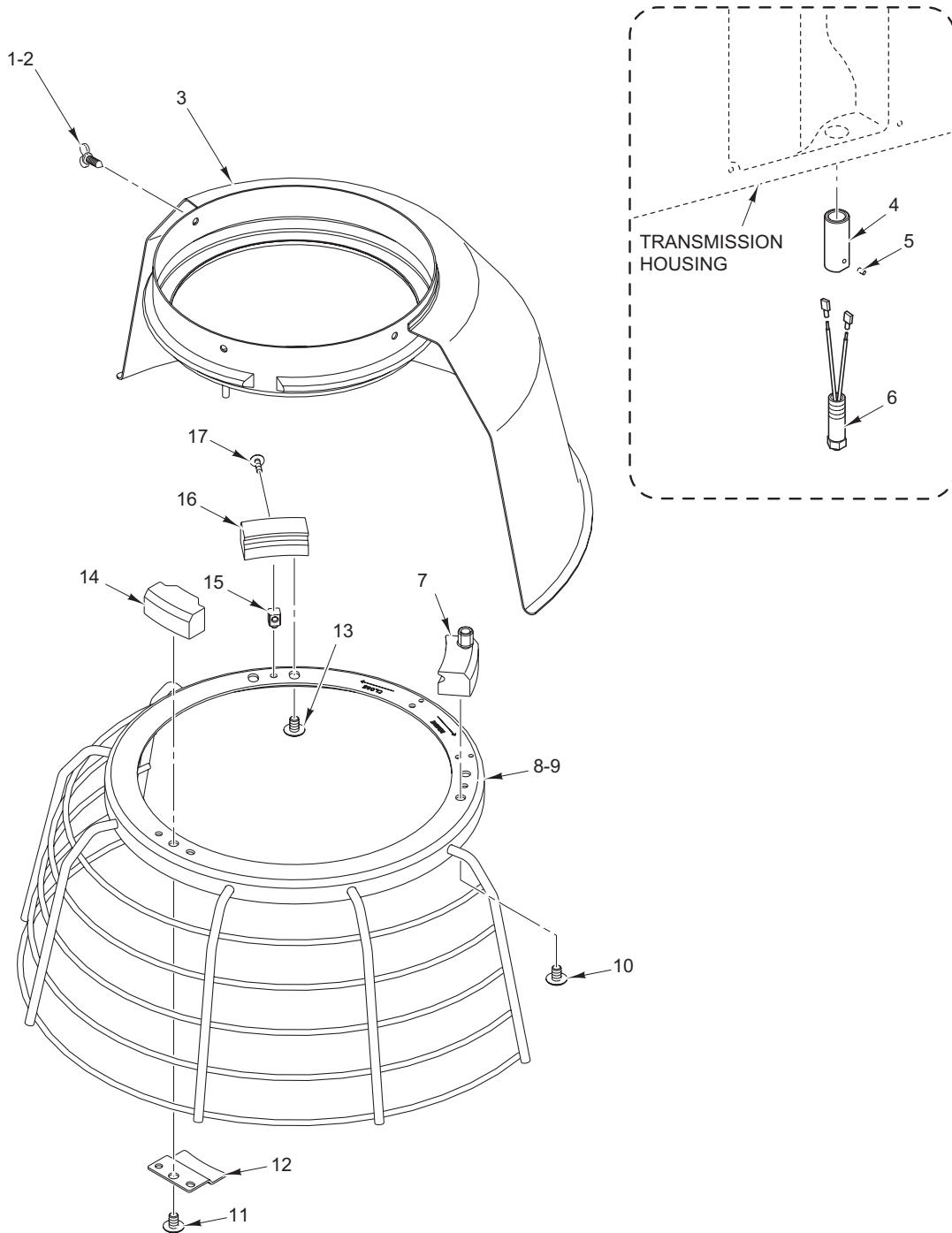


**D300 BOWL GUARD UNIT
(Machines Built Prior To 11/2004)**

**D300 BOWL GUARD UNIT
(Machines Built Prior To 11/2004)**

ILLUS. PL-58364	PART NO.	NAME OF PART	AMT.
1	00-478602	Screw – Shouldered Slotted Hd.....	1
2	NS-031-50	Stop Nut 6-32 (SST) (ML-104421 & ML-134211)	1
3	NS-011-07	Nut 6-32 Hex (SST) (ML-134114 & ML-134213)	1
4	00-070641-00011	Thumb Screw 8-32 Special (ML-104421 & ML-134211).....	3
5	SC-121-91	Mach. Screw 8-32 x 1/4 Hex Button Hd. (SST) (ML-134114 & ML-134213).....	3
6	00-479007	Latch – Cage Detent (Incls. Items 7, 8, & 9).....	1
7	00-437446-00001	Spring – Cage Detent	1
8	00-437724	Plunger – Detent.....	1
9	00-437725	Bushing – Detent	1
10	00-437815	Spring – Reed Switch	1
11	SC-018-50	Mach. Screw 6-32 x 1/4 Slotted Pan Hd.....	1
12	NS-048-11	Lock Nut 8-32 (SST)	1
13	SC-068-14	Mach. Screw 8-32 x 3/8 Hex Hd.....	2
14	00-437728-00004	Housing – Reed (Painted)	1
15	SC-122-48	Mach. Screw 8-32 x 1 3/4 Slotted Rd. Hd. (SST).....	1
16	00-087711-304-1	Housing – Reed Switch	1
17	00-874965-00001	Splash Guard & Latch Assy. (Painted) (ML-104421 & ML-134211).....	1
18	00-874965-00002	Splash Guard & Latch Assy. (ML-134114 & ML-134213)	1
19	00-437713	Shoe – Fixed.....	1
20	SC-122-45	Mach. Screw 1/4-20 x 3/8 Slotted Truss Hd. (SST) (ML-104421 & ML-134211)	2
21	SC-122-52	Mach. Screw 1/4-20 x 3/8 Hex Button Hd. (SST) (ML-134114 & ML-134213).....	2
22	00-874970-00001	Wire Cage Assy. (ML-104421 & ML-134211).....	1
23	00-874970-00002	Wire Cage Assy. (ML-134114 & ML-134213).....	1
24	SC-122-46	Mach. Screw 1/4-20 x 3/4 Slotted Truss Hd. (SST) (ML-104421 & ML-134211)	2
25	SC-122-68	Mach. Screw 1/4-20 x 3/4 Hex Button Hd. (SST) (ML-134114 & ML-134213).....	2
26	00-437817	Stop – Cage.....	1
27	00-437436	Pin – Plunger	1
28	00-437447	Housing – Plunger	1
29	00-437446-00002	Spring – Cage On/Off	1
30	00-437432	Plunger	1
31	00-437718-00002	Saddle – Shoe	1
32	00-437715	Shoe – Saddle	1
33	00-437720	Key – Shoe	1
34	SC-123-07	Mach. Screw 8-20 x 1/2 Slotted Truss Hd. (SST) (ML-104421 & ML-134211).....	1
35	SC-121-92	Mach. Screw 8-32 x 3/8 Hex Button Hd. (SST) (ML-134114 & ML-134213).....	1
36	00-437714	Shoe – Adjustable	1
37	SC-122-45	Mach. Screw 1/4-20 x 3/8 Slotted Truss Hd. (SST) (ML-104421 & ML-134211)	2
38	SC-122-52	Mach. Screw 1/4-20 x 3/8 Hex Button Hd. (SST) (ML-134114 & ML-134213).....	2
39	00-437816	Block – Rear Guide.....	1
40	SC-122-44	Mach. Screw 8-32 x 3/8 Slotted Truss Hd. (SST) (ML-104421 & ML-134211).....	1
41	SC-121-92	Mach. Screw 8-32 x 3/8 Hex Button Hd. (SST) (ML-134114 & ML-134213).....	1
42	00-512987	Adhesive (ML-134114 & ML-134213)	AR
43	00-437719	Retainer – Magnet	1
44	00-111941	Magnet.....	1
45	SC-122-44	Mach. Screw 8-32 x 3/8 Slotted Truss Hd. (SST) (ML-104421 & ML-134211)	1
46	SC-121-92	Mach. Screw 8-32 x 3/8 Hex Button Hd. (SST) (ML-134114 & ML-134213).....	1
	00-438607	Ingredient Chute	1
	00-874958-00001	Reed Assy. (Incls. Items 10, 11, & 16)	1
*	00-874964	Bowl Guard Kit.....	1

*Use With Machines Not Equipped With Bowl Guard.

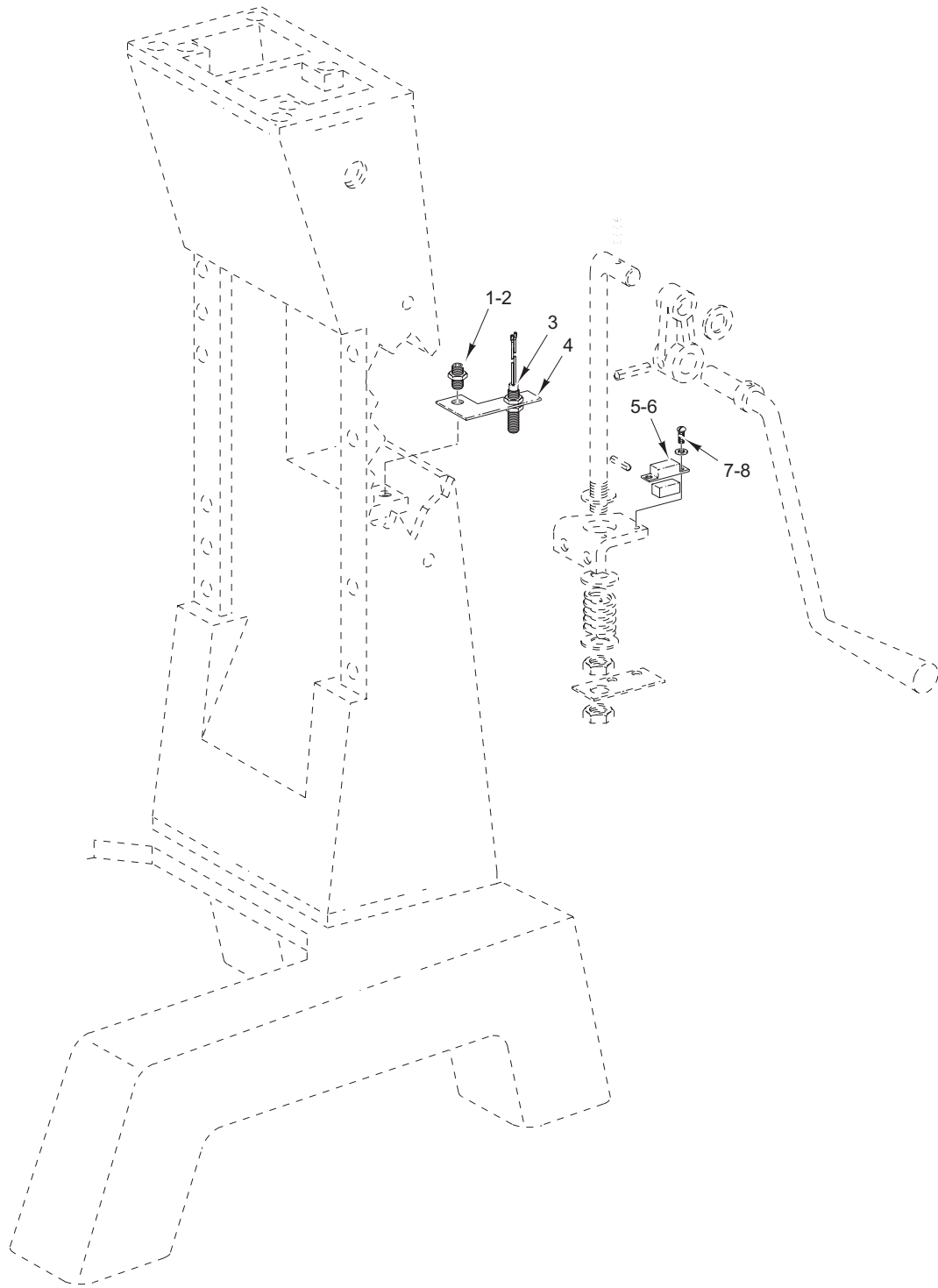


PL-58375

**D300 BOWL GUARD UNIT
(Machines Built On Or After 11/2004)**

**D300 BOWL GUARD UNIT
(Machines Built On Or After 11/2004)**

ILLUS. PL-58375	PART NO.	NAME OF PART	AMT.
1	00-070641-00011	Thumb Screw 8-32 Special (ML-134258).....	3
2	SC-128-73	Mach. Screw 8-32 x 1/4 Tx. Button Hd. (SST) (ML-134261).....	3
3	00-874967	Guard – Splash.....	1
4	00-874971	Extension – Bowl Guard Switch.....	1
5	SC-075-14	Set Screw 6-32 x 1/8 Hex Hdls., Cup Pt.....	1
6	00-874958-00001	Reed – Switch & Plug.....	1
7	00-874968	Shoe – Fixed (Incls. Magnet).....	1
8	00-874969-00001	Wire Cage (ML-134258).....	1
9	00-874969-00002	Wire Cage (ML-134261).....	1
10	SC-122-45	Mach. Screw 1/4-20 x 3/8 Slotted Truss Hd.....	2
11	SC-122-45	Mach. Screw 1/4-20 x 3/8 Slotted Truss Hd.....	1
12	00-874980	Stop – Cage.....	1
13	SC-122-45	Mach. Screw 1/4-20 x 3/8 Slotted Truss Hd.....	2
14	00-874983	Shoe – Front.....	1
15	00-437720	Key – Shoe.....	1
16	00-437714	Shoe – Adjustable.....	1
17	SC-123-07	Mach. Screw 1/4-20 x 3/8 Slotted Truss Hd.....	1



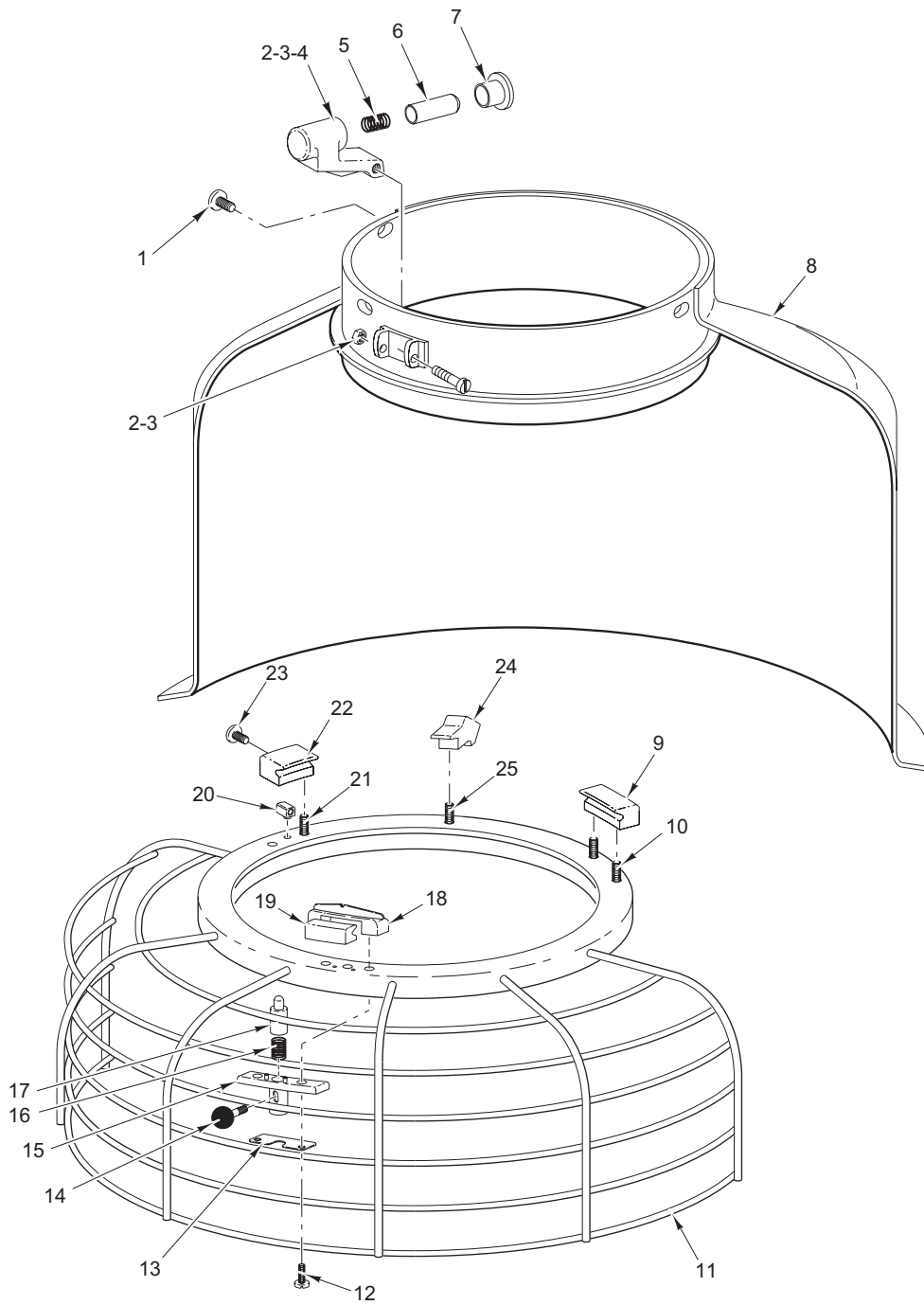
PL-58376

D300 BOWL HEIGHT SENSING UNIT

D300 BOWL HEIGHT SENSING UNIT

ILLUS.	PART NO.	NAME OF PART	AMT.
PL-58376			
1	SC-047-46	Set Screw $\frac{3}{8}$ -16 x $1\frac{1}{4}$ Soc. Hdls., Half-Dog Pt.	1
2	NS-017-15	Jam Nut $\frac{3}{8}$ -16 Hex.....	1
3	00-087711-306-1	Switch – Bowl Height Sensing	1
4	00-438387	Bracket – Bowl Height Switch.....	1
5	00-120332	Retainer – Magnet	1
6	00-111941	Magnet.....	1
7	SC-021-01	Mach. Screw 4-40 x $\frac{1}{4}$ Slotted Rd. Hd. (SST).....	2
8	WL-003-01	Lockwasher #4 Light.....	2
	00-065890-00029	Connector – Insulated.....	1

BOWL GUARD REPLACEMENT PARTS

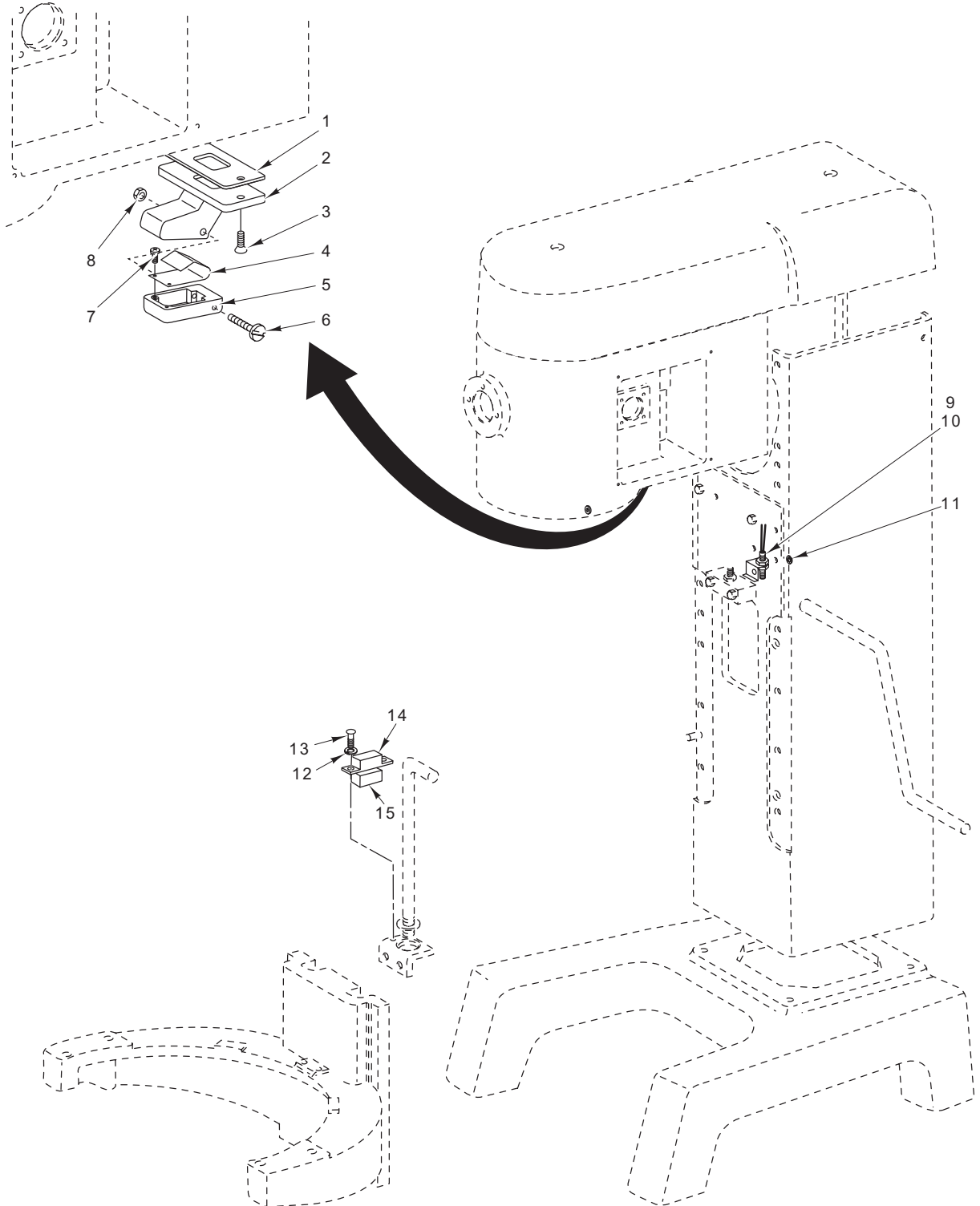


PL-58377

D330 BOWL GUARD UNIT

D330 BOWL GUARD UNIT

ILLUS. PL-58377	PART NO.	NAME OF PART	AMT.
1	00-070641-00011	Thumb Screw 8-32 Special.....	3
2	00-479006	Latch – Cage Detent.....	1
3	00-478602	Screw – Shoulder.....	1
4	NS-031-50	Stop Nut 6-32 Hex (SST).....	1
5	00-437446-00001	Spring – Cage Detent.....	1
6	00-437724	Plunger – Detent.....	1
7	00-437725	Bushing – Detent.....	1
8	00-437792	Splash Guard & Drip Cup Assy. (Painted).....	1
9	00-437713	Shoe – Fixed.....	1
10	SC-122-45	Mach. Screw 1/4-20 x 3/8 Truss Hd. (SST).....	2
11	00-437822	Wire Cage Assy.....	1
12	SC-122-46	Mach. Screw 1/4-20 x 3/4 Truss Hd. (SST).....	2
13	00-437817	Stop – Cage.....	1
14	00-437436	Pin – Plunger.....	1
15	00-437799	Housing – Plunger.....	1
16	00-437446-00002	Spring – Cage On/Off.....	1
17	00-437432	Plunger.....	1
18	00-437718-00002	Saddle – Shoe.....	1
19	00-437715	Shoe – Saddle.....	1
20	00-437720	Key – Shoe.....	1
21	SC-122-45	Mach. Screw 1/4-20 x 3/8 Truss Hd. (SST).....	2
22	00-437714	Shoe – Adjustable.....	1
23	SC-122-44	Mach. Screw 8-32 x 3/8 Truss Hd. (SST).....	1
24	00-437805	Retainer – Magnet.....	1
25	SC-122-44	Mach. Screw 8-32 x 3/8 Truss Hd. (SST).....	1
	00-438608	Ingredient Chute.....	1



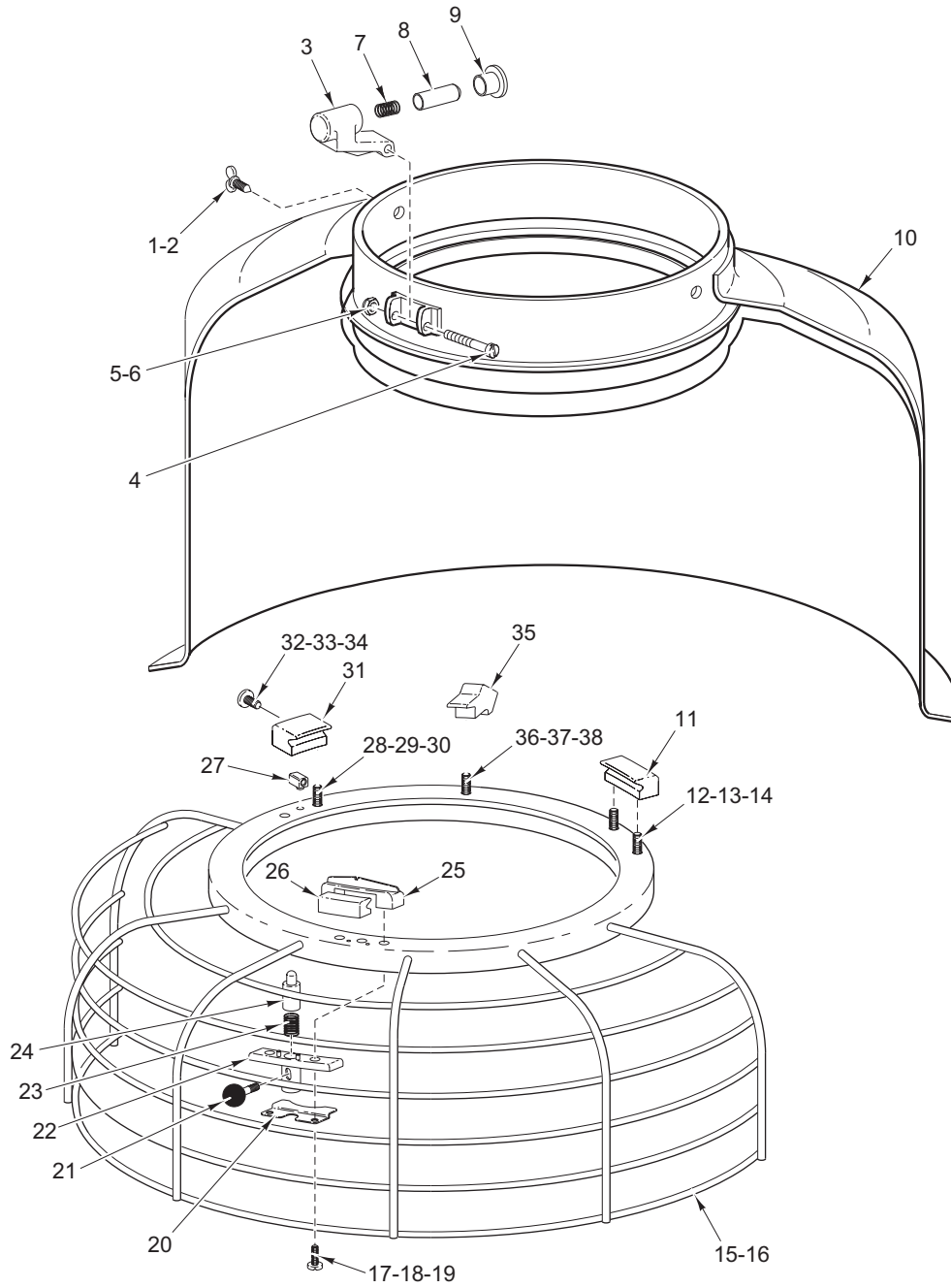
PL-58365

D330 BOWL GUARD INTERLOCK AND HEIGHT SENSING

D330 BOWL GUARD INTERLOCK AND HEIGHT SENSING

ILLUS.	PART NO.	NAME OF PART	AMT.
PL-58365			
1	00-437809	Gasket – Reed Housing.....	1
2	00-437793-00002	Housing – Reed.....	1
3	SC-022-22	Mach. Screw 10-24 x 3/4 Slotted Flat Hd. (SST).....	2
4	00-437435	Spring – Reed Switch.....	1
5	00-087711-304-1	Housing – Reed Switch.....	1
6	SC-122-48	Mach. Screw 8-32 x 1 3/4 Slotted Rd. Hd. (SST).....	2
7	SC-018-50	Mach. Screw 6-32 x 1/4 Slotted Pan Hd.....	2
8	NS-031-08	Stop Nut 8-32 Hex (SST).....	1
9	00-87711-306-1	Switch – Reed.....	1
10	00-438577	Bracket – Sensor.....	1
11	WL-003-01	Lockwasher 1/4 Light Helical (SST).....	1
12	WL-003-01	Lockwasher #4 Light Helical (SST).....	2
13	SC-021-01	Mach. Screw 4-40 x 1/4 Slotted Rd. Hd. (SST).....	2
14	00-120332	Retainer – Magnet.....	1
15	00-111941	Magnet.....	1

BOWL GUARD REPLACEMENT PARTS

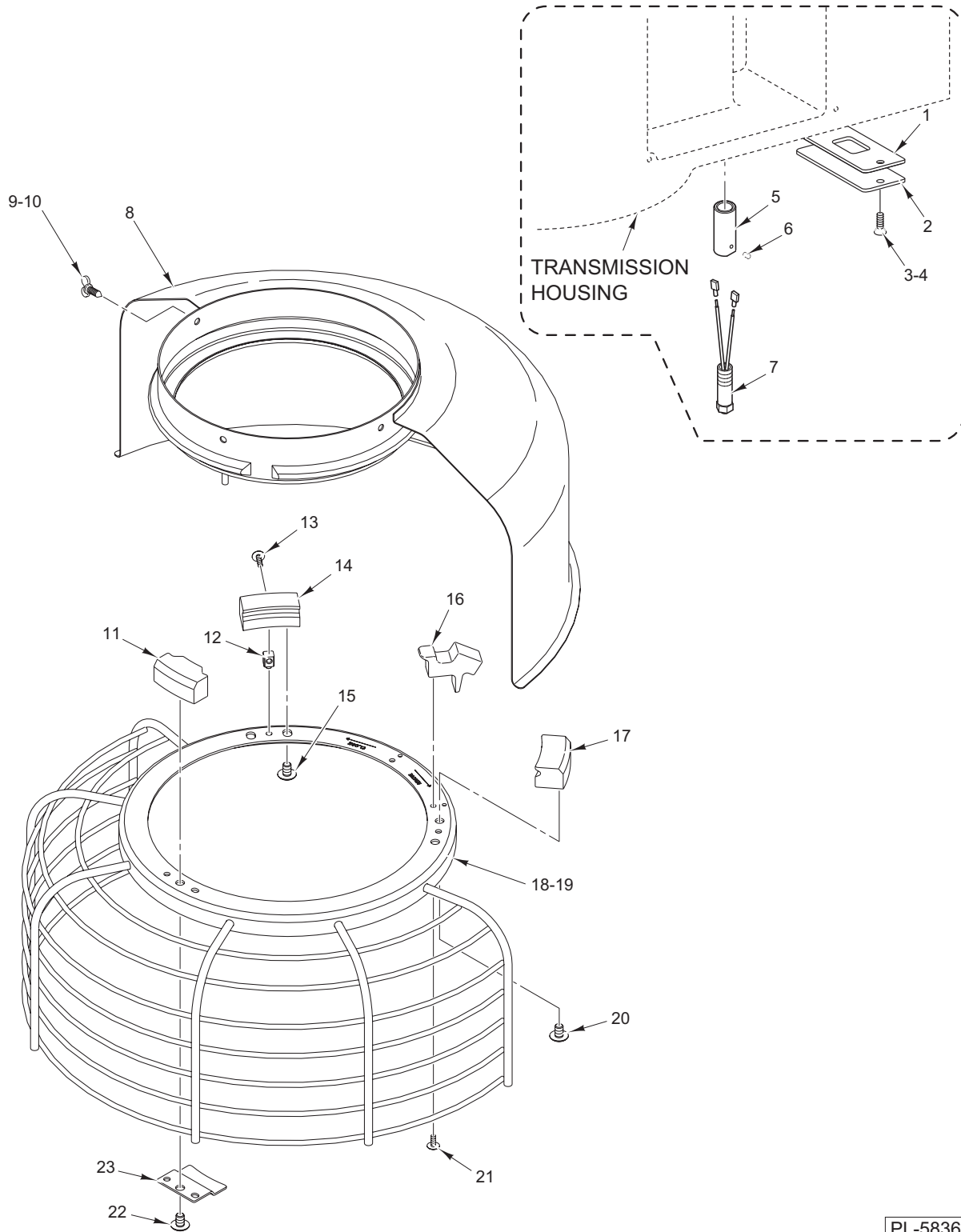


PL-58366

**D340 BOWL GUARD UNIT
(Machines Built Prior To 11/2004)**

**D340 BOWL GUARD UNIT
(Machines Built Prior To 11/2004)**

ILLUS.	PART NO.	NAME OF PART	AMT.
PL-58366			
1	00-070641-00011	Thumb Screw 8-32 Special.....	3
2	SC-121-91	Mach. Screw 8-32 x 1/4 Hex Button Hd., (SST) (ML-134188 & ML-134118).....	3
3	00-479007	Latch – Catch Detent (Incls. Items 7, 8, & 9).....	1
4	00-478602	Screw – Shoulder (ML-104483, ML-104484, & ML-134185) (See TSB 1039).....	1
5	NS-011-07	Nut 6-32 Hex (SST) (ML-134118 & ML-134188) (Not Shown).....	1
6	NS-031-50	Stop Nut 6-32 (SST) (See TSB 1039).....	1
7	00-437446-00001	Spring – Cage Detent.....	1
8	00-437724	Plunger – Detent.....	1
9	00-437725	Bushing – Detent.....	1
10	00-874981	Splash Guard & Drip Cup Assy. (Painted).....	1
11	00-437713	Shoe – Fixed.....	1
12	SC-122-52	Mach. Screw 1/4-20 x 3/8 Hex Button Hd. (SST) (ML-134118 & ML-134188).....	2
13	00-512987	Loctite 222 Size 31 (50 cc) (ML-134118 & ML-134188).....	1
14	SC-122-45	Mach. Screw 1/4-20 x 3/8 Slotted Truss Hd. (SST) (ML-104483, ML-104484, & ML-134185).....	2
15	00-874956-00001	Wire Cage (ML-104483 & ML-104484).....	1
16	00-874956-00002	Wire Cage (ML-134118).....	1
17	SC-122-46	Mach. Screw 1/4-20 x 3/4 Slotted Truss Hd. (SST) (ML-104483, ML-104484, & ML-134185).....	2
18	SC-122-68	Mach. Screw 1/4-20 x 3/4 Hex Button Hd. (SST) (ML-134118 & ML-134188).....	2
19	00-512987	Loctite 222 Size 31 (50 cc) (ML-134118 & ML-134188).....	1
20	00-437817	Stop – Cage.....	1
21	00-437436	Pin – Plunger.....	1
22	00-437447	Housing – Plunger Assy.....	1
23	00-437446-00002	Spring – Cage On/Off.....	1
24	00-437432	Plunger.....	1
25	00-437718-00002	Saddle – Shoe.....	1
26	00-437715	Shoe – Saddle.....	1
27	00-437720	Key – Shoe.....	1
28	SC-122-45	Mach. Screw 1/4-20 x 3/8 Slotted Truss Hd. (SST) (ML-104483, ML-104484, & ML-134185).....	2
29	SC-122-52	Mach. Screw 1/4-20 x 3/8 Hex Button Hd. (SST) (ML-134118 & ML-134188).....	2
30	00-512987	Loctite 222 Size 31 (50 cc) (ML-134118 & ML-134188).....	1
31	00-437714	Shoe – Adjustable.....	1
32	SC-123-07	Mach. Screw 8-32 x 1/2 Slotted Truss Hd. (SST) (ML-104483, ML-104484, & ML-134185).....	1
33	SC-122-76	Mach. Screw 8-32 x 1/2 Hex Button Hd. (SST) (ML-134118 & ML-134188).....	1
34	00-512987	Loctite 222 Size 31 (50 cc) (ML-134118 & ML-134188).....	1
35	00-437805	Retainer – Magnet.....	1
36	SC-122-44	Mach. Screw 8-32 x 3/8 Slotted Truss Hd. (SST) (ML-104483, ML-104484, & ML-134185).....	1
37	SC-121-92	Mach. Screw 8-32 x 3/8 Hex Button Hd. (SST) (ML-134118 & ML-134188).....	1
38	00-512987	Loctite 222 Size 31 (50 cc) (ML-134118 & ML-134188).....	1
	00-439096	Ingredient Chute.....	1



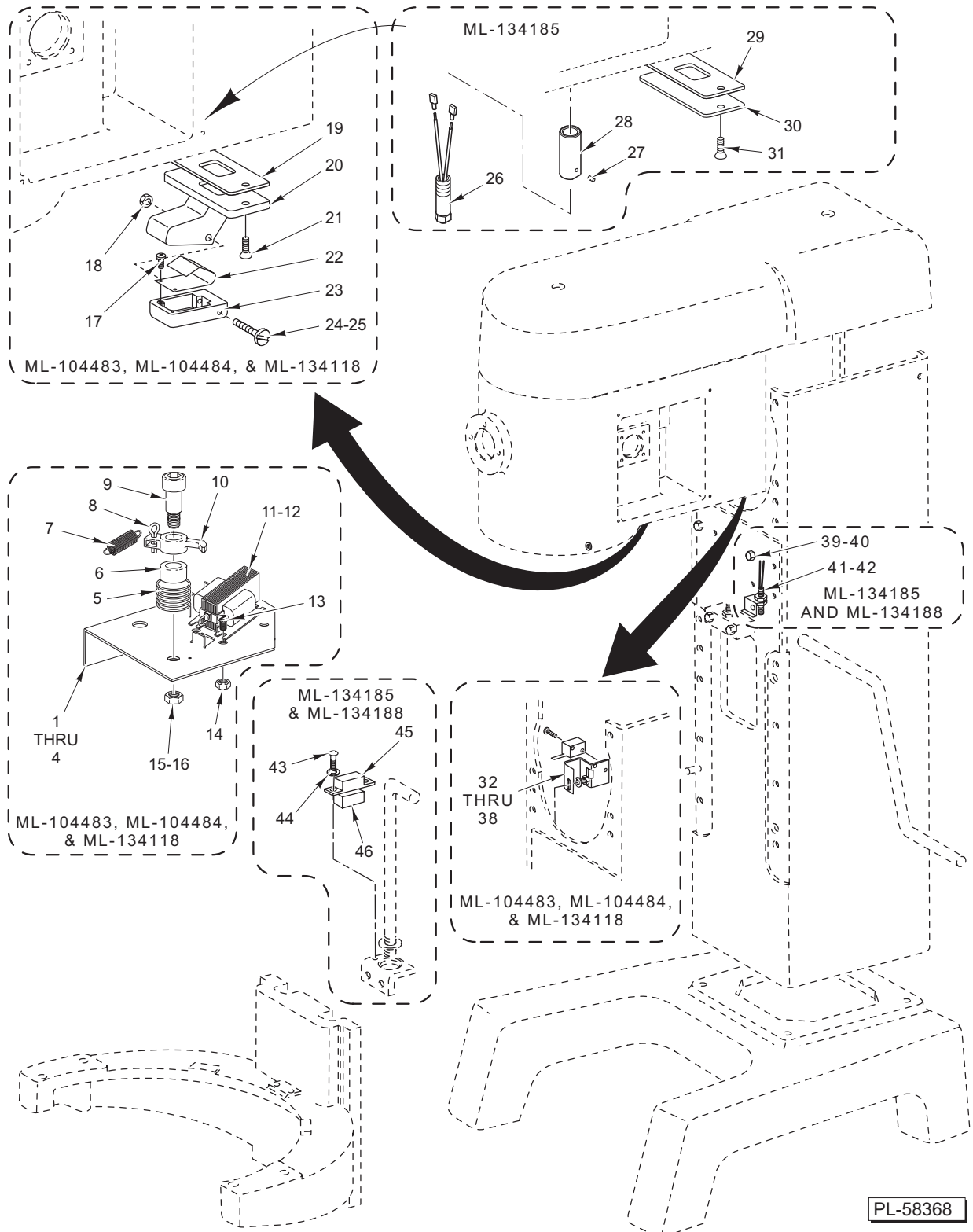
PL-58367

**D340 BOWL GUARD UNIT
(Machines Built On Or After 11/2004)**

**D340 BOWL GUARD UNIT
(Machines Built On Or After 11/2004)**

ILLUS. PL-58367	PART NO.	NAME OF PART	AMT.
1	00-437809	Gasket – Reed Housing.....	1
2	00-874974	Plate – Transmission Cover.....	1
3	SC-022-22	Mach. Screw 10-24 x 3/4 Slotted Pan Hd. (SST).....	2
4	SC-122-77	Mach. Screw 10-24 x 3/4 Tx. Flat Hd. (SST).....	2
5	00-874990	Extension – Bowl Guard Switch.....	1
6	SC-075-14	Set Screw 6-32 x 1/8 Hex Hdls., Cup Pt.....	1
7	00-874958-00001	Reed – Switch & Plug.....	1
8	00-874981	Guard – Splash.....	1
9	00-070641-00011	Thumb Screw 8-32 Special (ML-134254).....	3
10	SC-128-73	Mach. Screw 8-23 x 1/4 Tx. Button Hd. (SST) (ML-134257).....	3
11	00-874983	Shoe – Front.....	1
12	00-437720	Key – Shoe.....	1
13	SC-123-07	Mach. Screw 8-23 x 1/2 Slotted Truss Hd.....	1
14	00-437714	Shoe – Adjustable.....	1
15	SC-122-45	Mach. Screw 1/4-20 x 3/8 Slotted Truss Hd.....	2
16	00-437805	Retainer – Magnet (Incls. Magnet).....	1
17	00-437713	Shoe – Fixed.....	1
18	00-874978-00001	Wire Cage (ML-134254).....	1
19	00-874978-00002	Wire Cage (ML-134257).....	1
20	SC-122-45	Mach. Screw 1/4-20 x 3/8 Slotted Truss Hd.....	2
21	SC-122-44	Mach. Screw 8-23 x 3/8 Slotted Truss Hd.....	1
22	SC-122-45	Mach. Screw 1/4-20 x 3/8 Slotted Truss Hd.....	1
23	00-874980	Stop – Cage.....	1
	00-874977-00001	Wire Cage Assy. (Incls. Items 8, 9, 11 thru 18, & 20 thru 23) (ML-134254).....	1
	00-874977-00002	Wire Cage Assy. (Incls. Items 8, 10 thru 17, & 19 thru 23) (ML-134257).....	1

BOWL GUARD REPLACEMENT PARTS



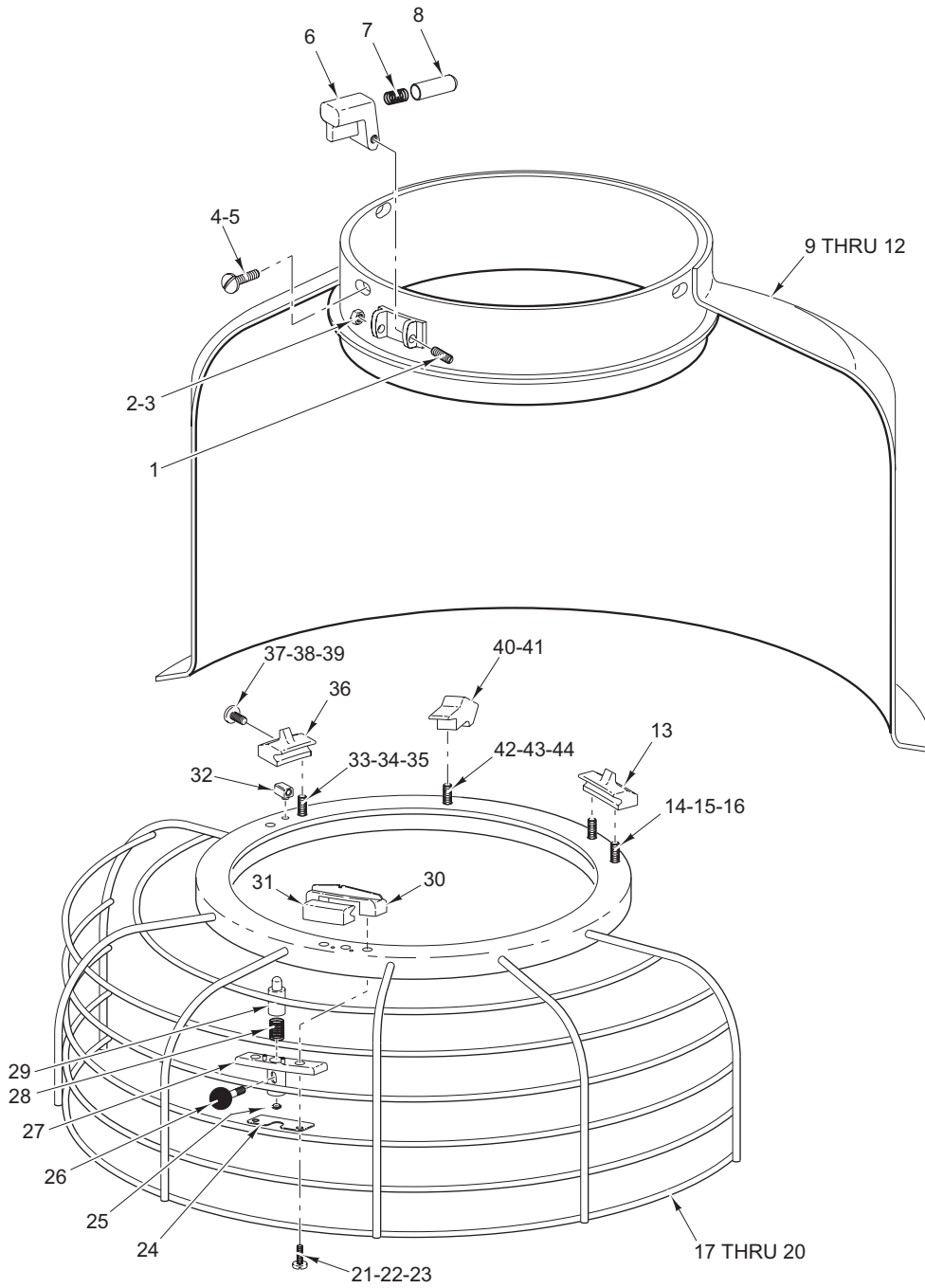
PL-58368

D340 BOWL LOCK, BOWL GUARD INTERLOCK, AND HEIGHT SENSING

**D340 BOWL LOCK, BOWL GUARD INTERLOCK,
AND HEIGHT SENSING**

ILLUS.	PART NO.	NAME OF PART	AMT.
PL-58368			
1	00-438600	Plate – Bowl Lock	1
2	SC-053-46	Mach. Screw 1/4-20 x 3/4 Slotted Truss Hd. (SST).....	2
3	WS-003-07	Washer.....	2
4	NS-032-08	Lock Nut 1/4-20	2
5	00-438575	Spring – Torsion.....	1
6	00-438516	Spacer – Lever	1
7	00-438494	Spring – Extension.....	1
8	PC-006-32	Cotter Pin.....	1
9	SC-068-24	Mach. Screw 5/16-18 x 1 1/8 Slotted Hex Hd.	1
10	00-438413-00002	Lever – Bowl Lock	1
11	00-438614-001-1	Solenoid (115 V. Coil)	1
12	00-438614-001-2	Solenoid (230 V. Coil)	1
13	SC-018-20	Mach. Screw 10-24 x 1/2 Slotted Pan Hd.	4
14	NS-048-20	Stop Nut 10-24.....	4
15	NS-048-17	Stop Nut 3/8-16 Flexloc.....	1
16	NS-048-24	Lock Nut 3/8-16 (ML-134118).....	1
17	SC-018-50	Mach. Screw 6-32 x 1/4 Slotted Pan Hd. (SST).....	2
18	NS-031-08	Stop Nut 8-32 Hex (SST).....	1
19	00-437809	Gasket – Reed.....	1
20	00-437793-00002	Housing – Reed	1
21	SC-022-22	Mach. Screw 10-24 x 3/4 Slotted Flat Hd. (SST).....	2
22	00-438465	Spring – Reed Switch	1
23	00-087711-304-1	Housing – Reed Switch	1
24	SC-122-48	Mach. Screw 8-32 x 1 3/4 Slotted Rd. Hd. (SST).....	1
25	SC-122-75	Mach. Screw 8-32 x 2 Tx. Button Hd. (SST).....	1
26	00-874958-00001	Reed – Switch & Plug.....	1
27	SC-075-14	Set Screw 6-32 x 1/8 Hex Hdls., Cup Pt. (SST).....	1
28	00-874990	Extension – Bowl Guard Switch.....	1
29	00-437809	Gasket – Reed Housing.....	1
30	00-874974	Plate Transmission Cover.....	1
31	SC-119-54	Mach. Screw 10-24 x 3/4 Slotted Pan Hd. (SST).....	1
32	00-438596	Bracket – Switch	1
33	00-438625	Insulator	1
34	00-087711-00248	Switch – Bowl Height.....	1
35	SC-021-05	Mach. Screw 4-40 x 5/8 Slotted Rd. Hd. (SST).....	2
36	WL-003-01	Lockwasher #4 Helical	2
37	WL-003-41	Lockwasher 5/16 Helical.....	2
38	NS-013-14	Nut 5/16-18 Hex	1
39	SC-036-06	Cap Screw 1/4-20 x 1 Hex Hd.	4
40	WL-006-16	Lockwasher 1/4 Light Helical (SST).....	4
41	00-087711-306-1	Switch – Bowl Height	1
42	00-438577	Bracket – Sensor	1
43	SC-021-01	Mach. Screw 4-40 x 1/4 Slotted Rd. Hd. (SST)	2
44	WL-003-01	Lockwasher #4 Helical	2
45	00-120332	Retainer – Magnet	1
46	00-111941	Magnet.....	1

BOWL GUARD REPLACEMENT PARTS



PL-58369

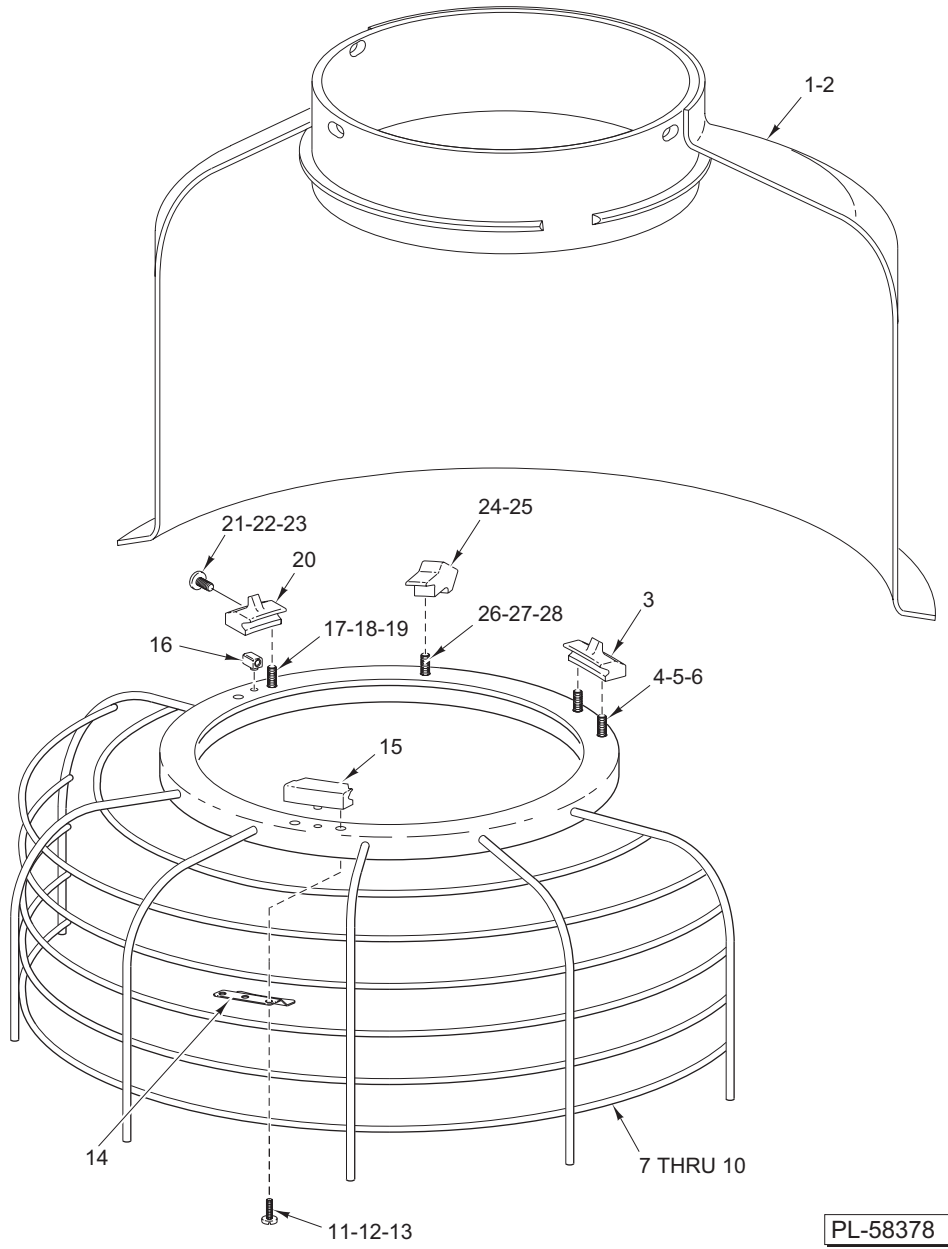
**H600/L800 BOWL GUARD UNIT
(Machines Built Prior To 11/2004)**

H600/L800 BOWL GUARD UNIT (Machines Built Prior To 11/2004)

ILLUS. PL-58369	PART NO.	NAME OF PART	AMT.
1	00-478602	Shoulder Screw Slotted Hd.....	1
2	NS-031-50	Stop Nut 6-32 Special (SST).....	1
3	NS-011-07	Nut 6-32 Hex (SST) (ML-104557 & ML-104558).....	1
4	SC-021-37	Mach. Screw 1/4-20 x 3/8 Slotted Rd. Hd. (SST).....	3
5	SC-122-52	Mach. Screw 1/4-20 x 3/8 Hex Button Hd. (SST) (ML-104557 & ML-104558).....	3
6	00-479010	Latch – Cage Detent.....	1
7	00-437446-00001	Spring – Cage Detent.....	1
8	00-437445	Plunger – Drip Cup.....	1
*9	-	Splash Guard Assy. (H600).....	1
**10	-	Splash Guard Assy. (L800).....	1
*11	-	Splash Guard Assy. (H600C).....	1
**12	-	Splash Guard Assy. (L800C).....	1
13	-	Shoe – Fixed.....	1
14	SC-122-45	Mach. Screw 1/4-20 x 3/8 Slotted Truss Hd. (SST).....	2
15	SC-122-52	Mach. Screw 1/4-20 x 3/8 Hex Button Hd. (SST) (ML-104557 & ML-104558).....	2
16	00-512987	Loctite 222.....	AR
*17	-	Wire Cage Assy. (H600).....	1
**18	-	Wire Cage Assy. (L800).....	1
*19	-	Wire Cage Assy. (H600C).....	1
**20	-	Wire Cage Assy. (L800C).....	1
21	SC-122-46	Mach. Screw 1/4-20 x 3/4 Slotted Truss Hd. (SST).....	2
22	SC-122-68	Mach. Screw 1/4-20 x 3/4 Hex Button Hd. (SST) (ML-104557 & ML-104558).....	2
23	00-512987	Loctite 222.....	AR
24	00-437691	Stop – Cage.....	1
25	00-438053	Plug – Plunger Housing.....	1
26	00-437436	Pin – Plunger.....	1
27	00-437447	Housing & Pin Assy.....	1
28	00-437446-00002	Spring – Cage On/Off.....	1
29	00-437432	Plunger.....	1
30	00-437437-00002	Saddle – Shoe.....	1
31	00-437433-00001	Shoe – Saddle.....	1
32	00-437720	Key – Shoe.....	1
33	SC-122-45	Mach. Screw 1/4-20 x 3/8 Slotted Truss Hd. (SST).....	2
34	SC-122-52	Mach. Screw 1/4-20 x 3/8 Hex Button Hd. (SST) (ML-104557 & ML-104558).....	2
35	00-512987	Loctite 222.....	AR
36	00-437433-00003	Shoe – Adjustable.....	1
37	SC-123-07	Mach. Screw 8-32 x 1/2 Slotted Truss Hd. (SST).....	1
38	SC-122-76	Mach. Screw 8-32 x 1/2 Hex Button Hd. (SST) (ML-104557 & ML-104558).....	1
39	00-512987	Loctite 222.....	AR
40	00-437442	Retainer – Magnet (H600 Series).....	1
41	00-438086	Retainer – Magnet (L800 Series).....	1
42	SC-122-44	Mach. Screw 8-32 x 3/8 Slotted Truss Hd. (SST).....	1
43	SC-121-92	Mach. Screw 8-32 x 3/8 Hex Button Hd. (SST) (ML-104557 & ML-104558).....	1
44	00-512987	Loctite 222.....	AR
	00-479016	Splash Guard Kit (Incls. Items 1, 2, & 6).....	1

* Order Part Number 00-875535 When Servicing These Parts.

** Order Part Number 00-875536 When Servicing These Parts.



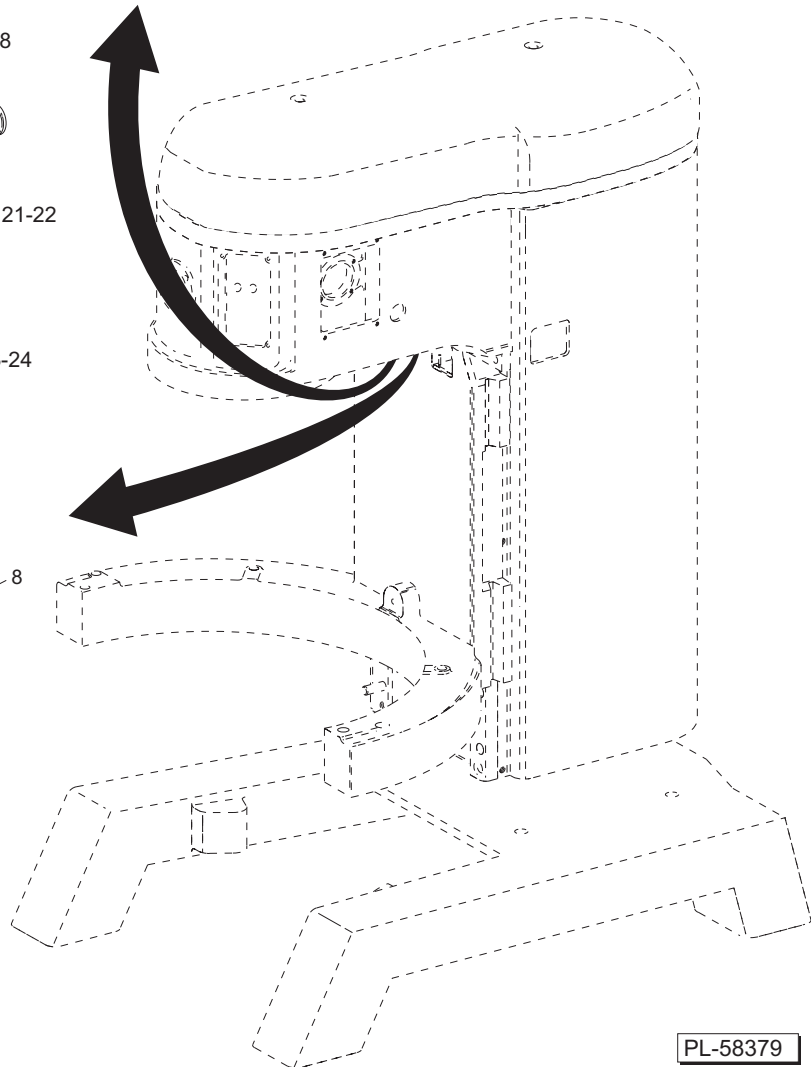
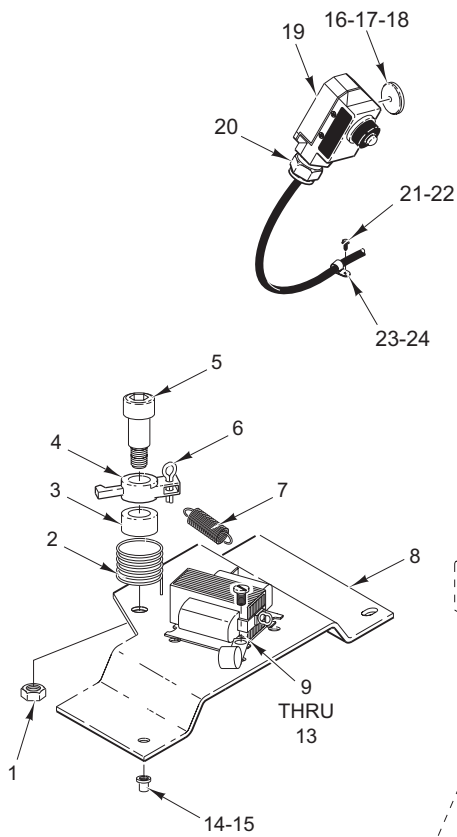
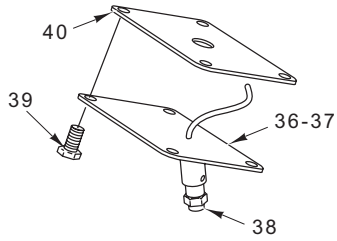
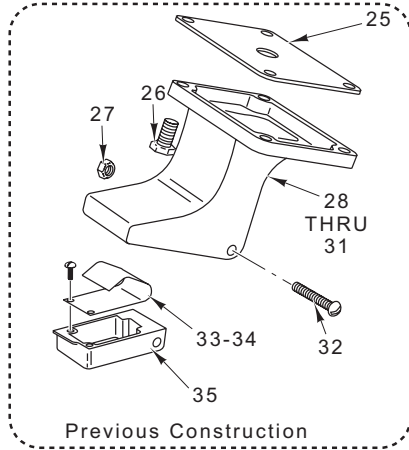
PL-58378

**H600/L800 BOWL GUARD UNIT
(Machines Built On Or After 11/2004)**

**H600/L800 BOWL GUARD UNIT
(Machines Built On Or After 11/2004)**

ILLUS. PL-58378	PART NO.	NAME OF PART	AMT.
1	00-874997	Splash Guard Assy. (H600 Series)	1
2	00-874994	Splash Guard Assy. (L800 Series)	1
3	00-437433-00002	Shoe – Fixed	2
4	SC-122-45	Mach. Screw 1/4-20 x 3/8 Slotted Truss Hd. (SST)	2
5	SC-122-52	Mach. Screw 1/4-20 x 3/8 Hex Button Hd. (SST) (H600C & L800C)	2
6	00-512987	Loctite 222 (H600C & L800C)	AR
7	00-874999-00001	Wire Cage Assy. (H600) (Incls. Items 3, 4, 11, 14 thru 17, 20, 21, 24, & 26)	1
8	00-874999-00002	Wire Cage Assy. (H600C) (Incls. Items 3, 5, 6, 12 thru 16, 18, 19, 20, 22, 23, 27, & 28)	1
9	00-874992-00001	Wire Cage Assy. (L800) (Incls. Items 3, 4, 11, 14 thru 17, 20, 21, 25, & 26)	1
10	00-874992-00002	Wire Cage Assy. (L800C) (Incls. Items 3, 5, 6, 12 thru 16, 18, 19, 20, 22, 23, 25, 27, & 28)	1
11	SC-122-45	Mach. Screw 1/4-20 x 3/8 Slotted Truss Hd. (SST)	2
12	SC-122-52	Mach. Screw 1/4-20 x 3/8 Hex Button Hd. (SST) (H600C & L800C)	2
13	00-512987	Loctite 222 (H600C & L800C)	AR
14	00-874995	Stop – Cage	1
15	00-874126	Shoe – Front	1
16	00-437720	Key – Shoe	1
17	SC-122-45	Mach. Screw 1/4-20 x 3/8 Slotted Truss Hd. (SST)	2
18	SC-122-52	Mach. Screw 1/4-20 x 3/8 Hex Button Hd. (SST) (H600C & L800C)	2
19	00-512987	Loctite 222 (H600C & L800C)	AR
20	00-437433-00003	Shoe – Adjustable	1
21	SC-123-07	Mach. Screw 8-32 x 1/2 Slotted Truss Hd. (SST)	1
22	SC-122-76	Mach. Screw 8-32 x 1/2 Hex Button Hd. (SST) (H600C & L800C)	1
23	00-512987	Loctite 222 (H600C & L800C)	AR
24	00-437442	Retainer – Magnet (H600 Series)	1
25	00-438086	Retainer – Magnet (L800 Series)	1
26	SC-122-44	Mach. Screw 8-32 x 1/2 Slotted Truss Hd. (SST)	1
27	SC-122-92	Mach. Screw 8-32 x 1/2 Hex Button Hd. (SST) (H600C & L800C)	1
28	00-512987	Loctite 222 (H600C & L800C)	AR
	00-875535	Barrier Kit (H600 Series)	1
	00-875536	Barrier Kit (L800 Series)	1

BOWL GUARD REPLACEMENT PARTS



H600/L800 BOWL LOCK, BOWL GUARD INTERLOCK, AND HEIGHT SENSING

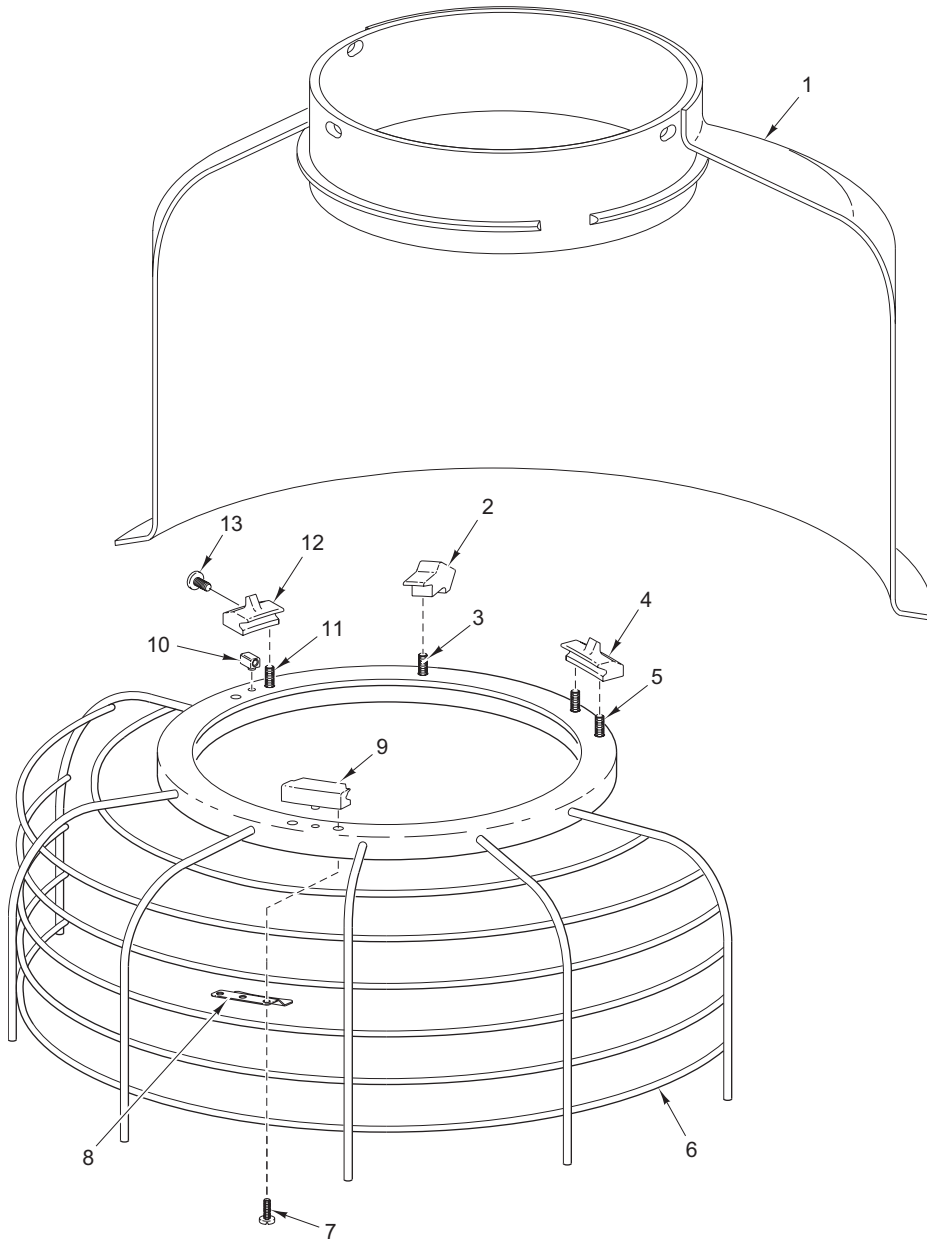
**H600/L800 BOWL LOCK, BOWL GUARD INTERLOCK,
AND HEIGHT SENSING**

ILLUS.	PART NO.	NAME OF PART	AMT.
	PL-58379		
1	NS-048-24	Stop Nut Special $\frac{3}{8}$ -16 ESNA.....	1
2	00-438575	Spring – Torsion.....	1
3	00-438516	Spacer – Lever.....	1
4	00-438413-00002	Lever – Bowl Lock.....	1
5	SC-086-24	Shoulder Screw $\frac{3}{8}$ -16 x $1\frac{1}{2}$	1
6	PC-006-32	Cotter Pin.....	1
7	00-438494	Spring – Extension.....	1
8	00-438414	Plate – Bowl Lock.....	1
9	00-875737-00001	Solenoid (115 V. Coil).....	1
10	00-875737-00002	Solenoid (230 V. Coil).....	1
11	SC-018-20	Mach. Screw 10-24 x $\frac{1}{2}$ Slotted Pan Hd.....	4
12	NS-048-20	Stop Nut 10-24 Flexloc.....	4
13	00-078752-00011	Clamp.....	1
14	00-120100	Nut – Vibration Mount.....	3
15	SC-037-87	Cap Screw $\frac{1}{4}$ -20 Hex Hd.....	3
16	00-437441	Spacer – Mounting.....	2
17	SC-081-43	Mach. Screw 6-32 x $1\frac{1}{2}$ Slotted Rd. Hd.....	2
18	WL-014-03	Lockwasher #6 External.....	2
19	00-087711-060-1	Switch – Interlock (Incls. Item 17).....	1
20	FE-022-84	Connector – Strain Relief.....	1
21	00-123109	Screw 6-32 x $\frac{3}{8}$ Serrated Hd.....	1
22	WS-023-15	Washer.....	1
23	00-078752-00012	Clamp – Cable $\frac{1}{4}$ P.....	1
24	00-113703	Cable Tie.....	1
25	00-024665	Gasket – Transmission Case Cover Plate.....	1
26	SC-113-96	Mach. Screw 8-32 x $\frac{1}{2}$ Slotted Hex Washer Hd.....	4
27	NS-031-08	Stop Nut 8-32 (SST).....	1
28	00-437448-00002	Housing – Reed Switch (H600 Painted).....	1
29	00-437448-00003	Housing – Reed Switch (H600 Deluxe).....	1
30	00-438063-00002	Housing – Reed Switch (L800 Painted).....	1
31	00-438063-00003	Housing – Reed Switch (L800 Deluxe).....	1
32	SC-116-66	Mach. Screw 8-32 x 2 Slotted Rd. Hd (SST).....	4
33	00-437435	Spring – Reed Switch.....	1
34	SC-018-50	Mach. Screw 6-32 x $\frac{1}{4}$ Slotted Pan Hd.....	2
35	00-087711-304-1	Switch – Reed.....	1
36	00-874986-00001	Reed Switch & Housing (H600).....	1
37	00-874987	Reed Switch & Housing (L800).....	1
38	SC-047-73	Set Screw 8-32 x $\frac{3}{16}$	1
39	SC-113-96	Mach. Screw 8-32 x $\frac{1}{2}$ Slotted Hex Washer Hd.....	4
40	00-024665	Gasket – Transmission Case Cover Plate.....	1

**P660 BOWL GUARD UNIT
(Machines Built Prior To 11/2004)**

ILLUS. PL-58370	PART NO.	NAME OF PART	AMT.
1	00-478602	Shoulder Screw Slotted Hd.....	1
2	NS-031-50	Stop Nut 6-32 (SST)	1
3	SC-021-37	Mach. Screw 1/4-20 x 3/8 Slotted Rd. Hd. (SST).....	3
4	00-479010	Latch – Cage Detent.....	1
5	00-437446-00001	Spring – Cage Detent	1
6	00-437445	Plunger – Drip Cup	1
*7	-	Splash Guard Assy.....	1
8	00-437442	Retainer – Magnet	1
9	SC-122-44	Mach. Screw 8-32 x 3/8 Slotted Truss Hd. (SST).....	1
10	00-437433-00002	Shoe – Fixed.....	1
11	SC-122-45	Mach. Screw 1/4-20 x 3/8 Slotted Truss Hd. (SST)	2
*12	-	Wire Cage Assy.....	1
13	SC-122-46	Mach. Screw 1/4-20 x 3/4 Slotted Truss Hd. (SST)	2
14	00-437691	Stop – Cage.....	1
15	00-438053	Plug – Plunger Housing	1
16	00-437436	Pin – Plunger	1
17	00-437447	Housing & Pin Assy.....	1
18	00-437446-00002	Spring – Cage On/Off	1
19	00-437432	Plunger	1
20	00-437437-00002	Saddle – Shoe	1
21	00-437433-00001	Shoe – Saddle	1
22	00-437720	Key – Shoe	1
23	SC-122-45	Mach. Screw 1/4-20 x 3/8 Slotted Truss Hd. (SST)	2
24	00-437433-00003	Shoe – Adjustable.....	1
25	SC-123-07	Mach. Screw 8-32 x 1/2 Slotted Truss Hd. (SST).....	1

* Order Part Number 00-875535 When Servicing These Parts.



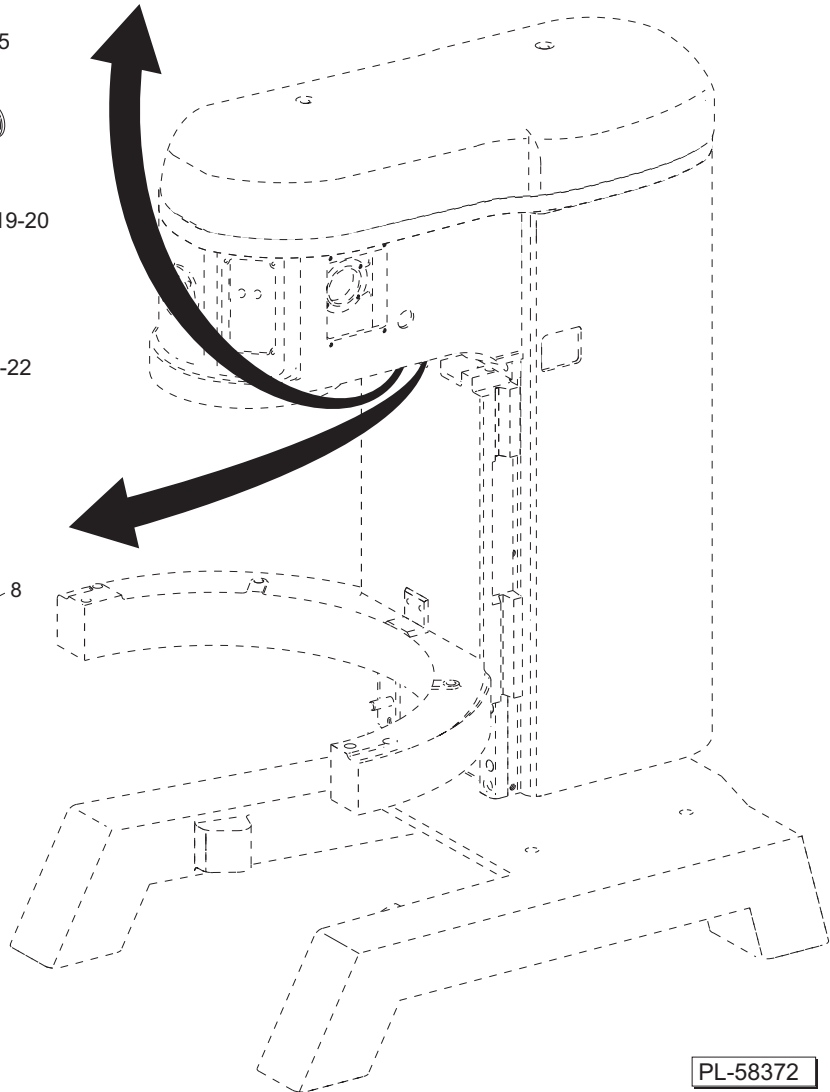
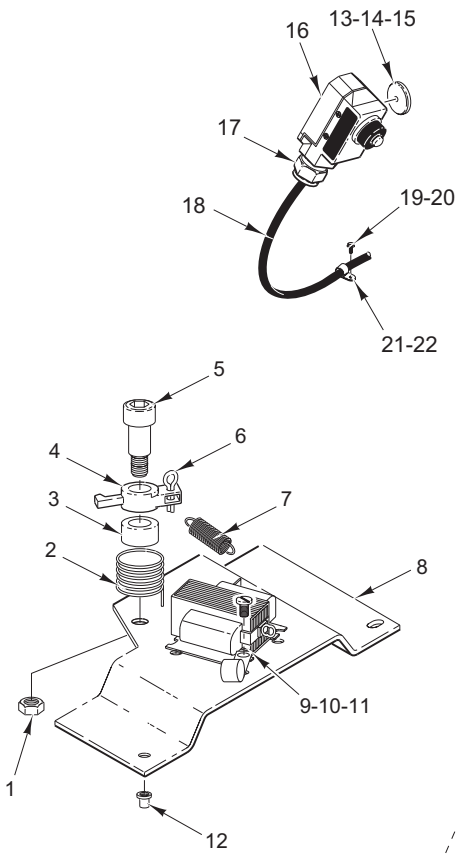
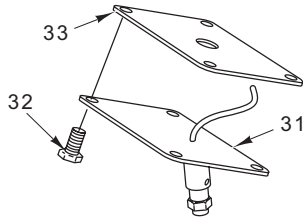
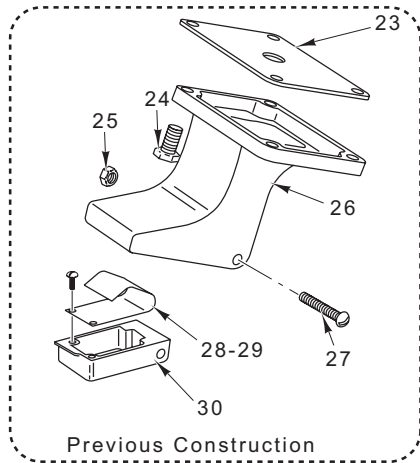
PL-58371

**P660 BOWL GUARD UNIT
(Machines Built On Or After 11/2004)**

**P660 BOWL GUARD UNIT
(Machines Built On Or After 11/2004)**

ILLUS.	PART NO.	NAME OF PART	AMT.
PL-58371			
1	00-874997	Splash Guard Assy.....	1
2	00-437442	Retainer – Magnet	1
3	SC-122-44	Mach. Screw 8-32 x 3/8 Slotted Truss Hd. (SST).....	1
4	00-437433-00002	Shoe – Fixed.....	1
5	SC-122-45	Mach. Screw 1/4-20 x 3/8 Slotted Truss Hd. (SST)	2
6	00-874999-00001	Wire Cage Assy. (Incls. Items 2 thru 5 & 7 thru 13).....	1
7	SC-122-45	Mach. Screw 1/4-20 x 3/4 Slotted Truss Hd. (SST)	2
8	00-874995	Stop – Cage.....	1
9	00-874126	Shoe – Front.....	1
10	00-437720	Key – Shoe	1
11	SC-122-45	Mach. Screw 1/4-20 x 3/8 Slotted Truss Hd. (SST)	2
12	00-437433-00003	Shoe – Adjustable.....	1
13	SC-123-07	Mach. Screw 8-32 x 1/2 Slotted Truss Hd. (SST).....	1
	00-875535	Barrier Kit.....	1

BOWL GUARD REPLACEMENT PARTS



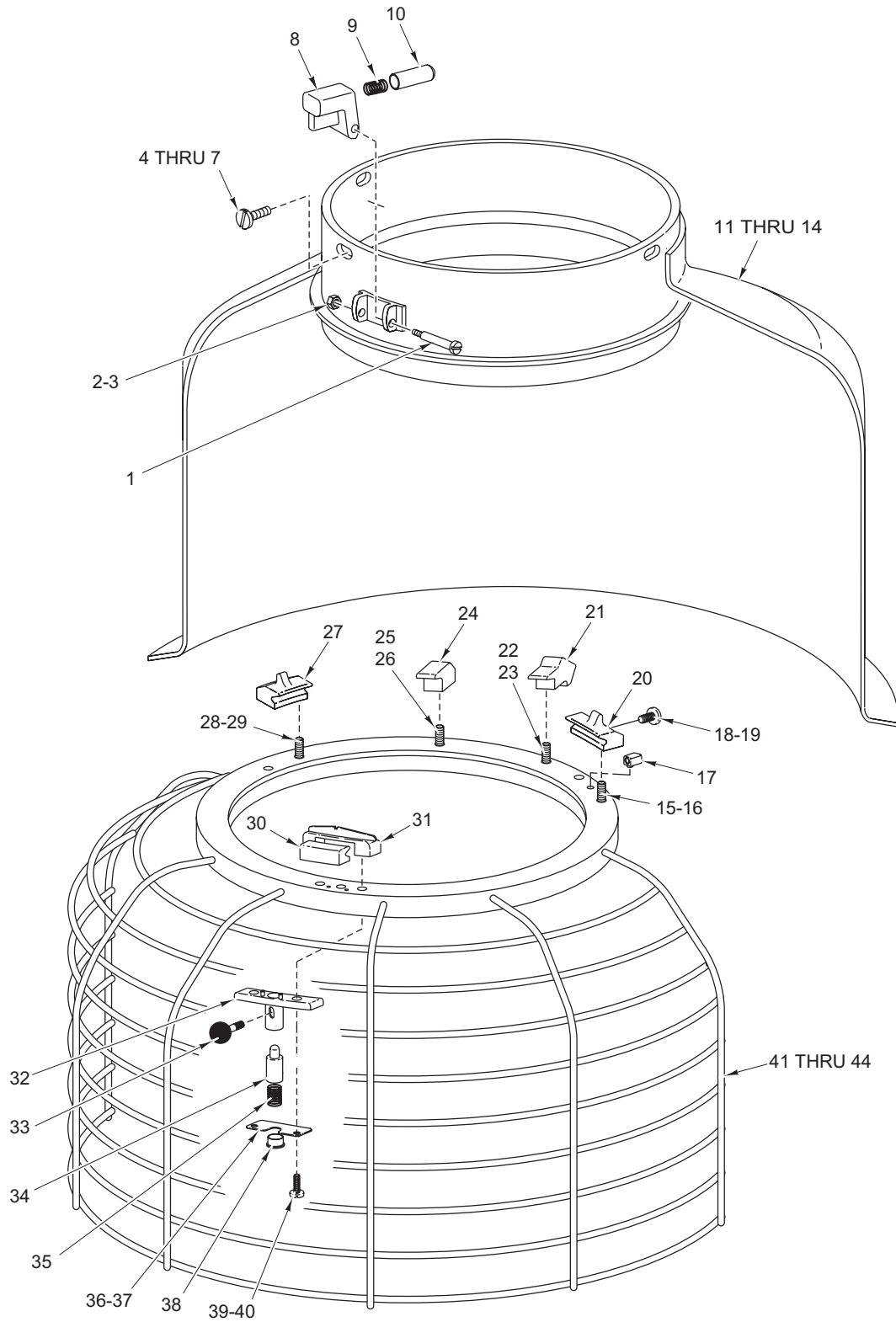
PL-58372

P660 BOWL LOCK, BOWL GUARD INTERLOCK, AND HEIGHT SENSING

**P660 BOWL LOCK, BOWL GUARD INTERLOCK,
AND HEIGHT SENSING**

ILLUS. PL-58372	PART NO.	NAME OF PART	AMT.
1	NS-048-24	Stop Nut $\frac{3}{8}$ -16 ESNA.....	1
2	00-438575	Spring – Torsion.....	1
3	00-438516	Spacer – Lever.....	1
4	00-438413-00002	Lever – Bowl Lock.....	1
5	SC-086-24	Shoulder Screw $\frac{1}{2}$ Dia. x $1\frac{1}{2}$ Lg. Hex Soc. Hd.....	1
6	PC-006-32	Cotter Pin.....	1
7	00-438494	Spring – Extension.....	1
8	00-438414	Plate – Bowl Lock.....	1
9	00-875737-00002	Solenoid (230 V. Coil).....	1
10	SC-018-20	Mach. Screw 10-24 x $\frac{1}{2}$ Slotted Pan Hd.....	4
11	NS-032-01	Stop Nut 10-24 Flexloc.....	4
12	SC-037-87	Cap Screw $\frac{1}{4}$ -20 x 1 Hex Hd.....	3
13	00-437441	Spacer – Mounting.....	2
14	SC-091-31	Mach. Screw 6-32 x $1\frac{1}{2}$ Slotted Flat Hd.....	2
15	WL-014-03	Lockwasher #6 External (SST).....	2
16	00-087711-060-1	Switch – Interlock.....	1
17	FE-022-84	Connector – Strain Relief.....	1
18	00-294853-00004	Cable – Control Switch.....	1
19	WS-023-15	Washer.....	1
20	00-123109	Screw 6-32 x $\frac{3}{8}$ Serrated Hd.....	1
21	00-078752-00012	Clamp – Cable $\frac{1}{4}$ P.....	1
22	00-113703	Cable Tie.....	2
23	00-024665	Gasket – Transmission Case Cover Plate.....	1
24	SC-113-96	Mach. Screw 8-32 x $\frac{1}{2}$ Slotted Hex Washer Hd.....	4
25	NS-031-08	Stop Nut 8-32 (SST).....	1
26	00-438448-00002	Housing – Reed Switch.....	1
27	SC-116-66	Mach. Screw 8-32 x 2 Slotted Rd. Hd. (SST).....	1
28	00-437435	Spring – Reed Switch.....	1
29	SC-018-50	Mach. Screw 6-32 x $\frac{1}{4}$ Slotted Pan Hd.....	2
30	00-087711-304-1	Switch – Reed.....	1
31	00-874986-00001	Reed Switch & Housing.....	1
32	SC-113-96	Mach. Screw 8-32 x $\frac{1}{2}$ Slotted Hex Washer Hd.....	4
33	00-024665	Gasket – Transmission Case Cover Plate.....	1

BOWL GUARD REPLACEMENT PARTS



PL-58373

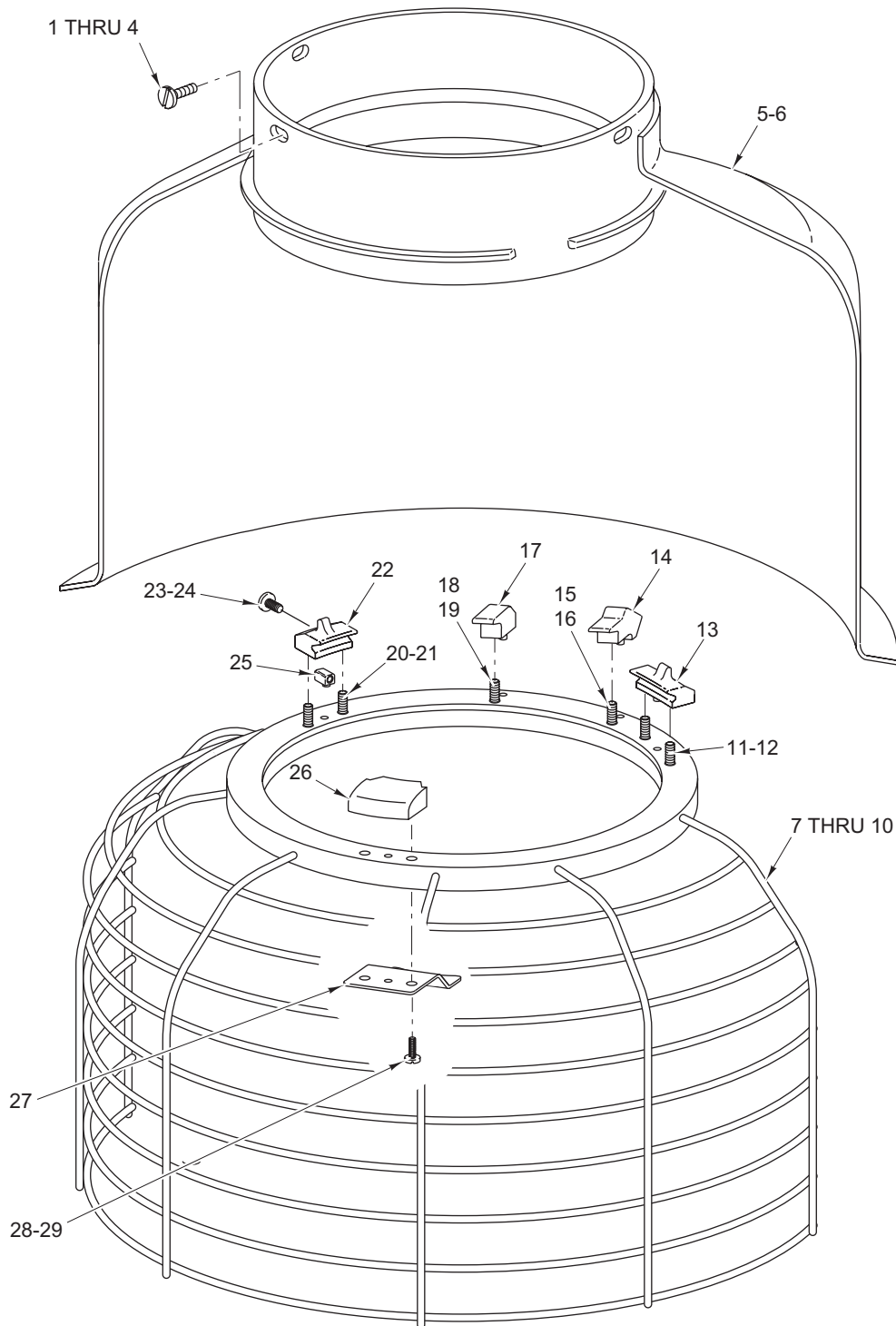
**M802/V1401 BOWL GUARD
(Machines Built Prior To 11/2004)**

**M802/V1401 BOWL GUARD
(Machines Built Prior To 11/2004)**

ILLUS. PL-58373	PART NO.	NAME OF PART	AMT.
1	00-478602	Shoulder Screw Slotted Hd.....	1
2	NS-031-50	Stop Nut 6-32 Hex (SST).....	1
3	NS-011-07	Nut 6-32 Hex (SST) (M802C & V1401C).....	1
4	SC-021-39	Mach. Screw 1/4-20 x 5/8 Rd. Hd. (M802 Series).....	3
5	SC-128-74	Mach. Screw 1/4-20 x 5/8 Tx. Button Hd. (M802C).....	3
6	SC-021-37	Mach. Screw 1/4-20 x 3/8 Rd. Hd. (V1401 Series).....	3
7	SC-128-65	Mach. Screw 1/4-20 x 1/2 Tx. Button Hd. (V1401C).....	3
8	00-479010	Latch – Cage Detent.....	1
9	00-437446-00001	Spring – Cage Detent.....	1
10	00-437445	Plunger – Drip Cup.....	1
*11	-	Splash Guard Assy. (M802).....	1
**12	-	Splash Guard Assy. (M802C).....	1
***13	-	Splash Guard Assy. (V1401).....	1
****14	-	Splash Guard Assy. (V1401C).....	1
15	SC-122-45	Mach. Screw 1/4-20 x 3/8 Truss Hd.	2
16	SC-128-65	Mach. Screw 1/4-20 x 1/2 Tx. Button Hd. (M802C & V1401C).....	2
17	00-437720	Key – Shoe.....	1
18	SC-123-07	Mach. Screw 8-32 x 1/2 Truss Hd.	1
19	SC-121-71	Mach. Screw 8-32 x 3/8 Tx. Button Hd. (M802C & V1401C).....	1
20	00-437433-00003	Shoe – Adjustable.....	1
21	00-437442	Retainer – Magnet.....	1
22	SC-122-44	Mach. Screw 8-32 x 3/8 Truss Hd.	1
23	SC-121-71	Mach. Screw 8-32 x 3/8 Tx. Button Hd. (M802C & V1401C).....	1
24	00-438055	Bumper – Cage.....	1
25	SC-122-44	Mach. Screw 8-32 x 3/8 Truss Hd.	1
26	SC-121-71	Mach. Screw 8-32 x 3/8 Tx. Button Hd. (M802C & V1401C).....	1
27	00-437433-00002	Shoe – Fixed.....	1
28	SC-122-45	Mach. Screw 1/4-20 x 3/8 Truss Hd.	2
29	SC-128-65	Mach. Screw 1/4-20 x 1/2 Tx. Button Hd. (M802C & V1401C).....	2
30	00-437433-00001	Shoe – Saddle.....	1
31	00-437437-00002	Saddle – Shoe.....	1
32	00-437447	Housing & Pin Assy.....	1
33	00-437436	Pin – Plunger.....	1
34	00-437432	Plunger.....	1
35	00-437446-00002	Spring – Cage On/Off.....	1
36	00-437691	Stop – Cage (M802 Series).....	1
37	00-438126	Stop – Cage (V1401 Series).....	1
38	00-438053	Plug – Plunger Housing.....	1
39	SC-122-46	Mach. Screw 1/4-20 x 3/4 Truss Hd.	2
40	SC-124-50	Mach. Screw 1/4-20 x 3/4 Tx. Button Hd. (M802C & V1401C).....	2
*41	-	Cage Assy. (M802 Series).....	1
**42	-	Cage Assy. (M802C).....	1
***43	-	Cage Assy. (V1401 Series).....	1
****44	-	Cage Assy. (V1401C).....	1

* Order Part Number 00-875808 When Servicing These Parts.
 ** Order Part Number 00-875809 When Servicing These Parts.
 *** Order Part Number 00-875810 When Servicing These Parts.
 **** Order Part Number 00-875811 When Servicing These Parts.

BOWL GUARD REPLACEMENT PARTS



PL-58374

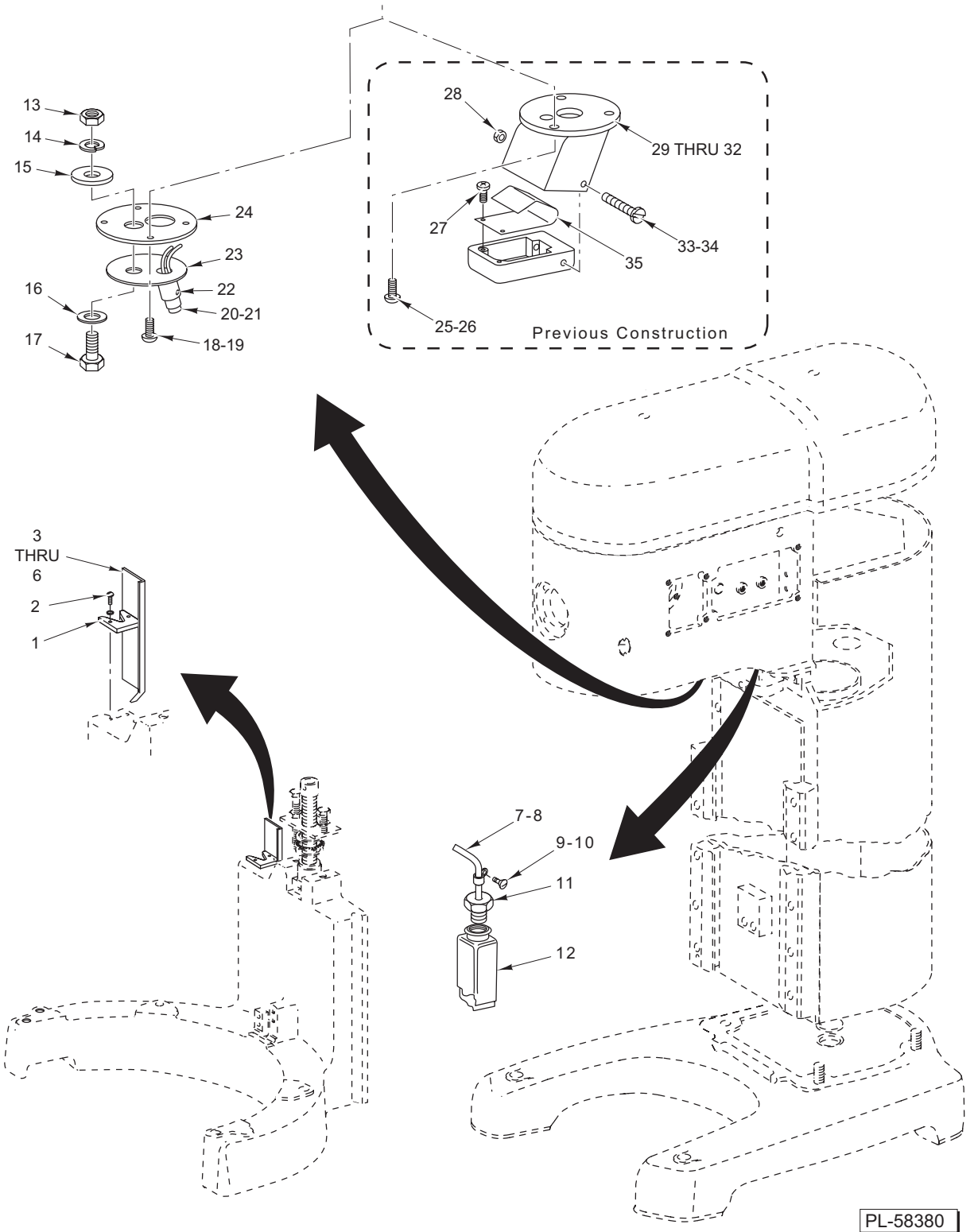
**M802/V1401 BOWL GUARD
(Machines Built On Or After 11/2004)**

M802/V1401 BOWL GUARD*
(Machines Built On Or After 11/2004)

ILLUS.	PART NO.	NAME OF PART	AMT.
	PL-58374		
1	SC-021-39	Mach. Screw 1/4-20 x 5/8 Rd. Hd. (M802 Series).....	3
2	SC-128-74	Mach. Screw 1/4-20 x 5/8 Tx. Button Hd. (M802C).....	3
3	SC-021-37	Mach. Screw 1/4-20 x 3/8 Rd. Hd. (V1401 Series).....	3
4	SC-128-65	Mach. Screw 1/4-20 x 1/2 Tx. Button Hd. (SST) (V1401C).....	3
5	00-874950	Splash Guard & Drip Cup (M802 Series).....	1
6	00-874951	Splash Guard & Drip Cup (V1401 Series).....	1
7	00-874946-00001	Wire Cage Assy. (M802) (Incls. Items 11, 13, 14, 15, 17, 18, 20, 22, 23, & 25 thru 28).....	1
8	00-874946-00002	Wire Cage Assy. (M802C) (Incls. Items 12, 13, 14, 16, 17, 19, 21, 22, 24 thru 27, & 29).....	1
9	00-874954-00001	Wire Cage Assy. (V1401) (Incls. Items 11, 13, 14, 15, 17, 18, 20, 22, 23, & 25 thru 28).....	1
10	00-874954-00002	Wire Cage Assy. (V1401C) (Incls. Items 12, 13, 14, 16, 17, 19, 21, 22, 24 thru 27, & 29).....	1
11	SC-122-45	Mach. Screw 1/4-20 x 3/8 Truss Hd.....	2
12	SC-128-65	Mach. Screw 1/4-20 x 1/2 Tx. Button Hd. (SST) (M802C & V1401C).....	2
13	00-437433-00002	Shoe – Fixed.....	1
14	00-437442	Retainer – Magnet.....	1
15	SC-122-44	Mach. Screw 8-32 x 3/8 Truss Hd.....	1
16	SC-121-71	Mach. Screw 8-32 x 3/8 Tx. Button Hd. (SST) (M802C & V1401C).....	1
17	00-438055	Bumper – Cage.....	1
18	SC-122-44	Mach. Screw 8-32 x 3/8 Truss Hd.....	1
19	SC-121-71	Mach. Screw 8-32 x 3/8 Tx. Button Hd. (SST) (M802C & V1401C).....	1
20	SC-122-45	Mach. Screw 1/4-20 x 3/8 Truss Hd.....	2
21	SC-128-65	Mach. Screw 1/4-20 x 1/2 Tx. Button Hd. (SST) (M802C & V1401C).....	2
22	00-437433-00003	Shoe – Adjustable.....	1
23	SC-123-07	Mach. Screw 8-32 x 1/2 Truss Hd.....	2
24	SC-128-66	Mach. Screw 8-32 x 3/8 Tx. Button Hd. (SST) (M802C & V1401C).....	2
25	00-437720	Key – Shoe.....	1
26	00-874126	Shoe – Front.....	1
27	00-875795	Stop – Cage.....	1
28	SC-122-45	Mach. Screw 1/4-20 x 3/8 Truss Hd.....	2
29	SC-128-65	Mach. Screw 1/4-20 x 1/2 Tx. Button Hd. (SST) (M802C & V1401C).....	2
	00-875808	Cage & Splash Guard Assy. (M802) (Incls. Items 1 thru 5, 7, 11 thru 15, 17, 18, 20, 22, 23, & 25 thru 28).....	1
	00-875809	Cage & Splash Guard Assy. (M802C) (Incls. Items 1 thru 5, 8, 12 thru 14, 16, 17, 19, 21, 22, 24 thru 27, & 29).....	1
	00-875810	Cage & Splash Guard Assy. (V1401) (Incls. Items 1 thru 4, 6, 9, 11, 13, 14, 15, 17, 18, 20, 22, 23, & 25 thru 28).....	1
	00-875811	Cage & Splash Guard Assy. (V1401C) (Incls. Items 1 thru 4, 6, 10, 12 thru 14, 16, 17, 19, 21, 22, 24 thru 27, & 29).....	1

* This Bowl Guard First Used:

- ML-104674 – 03/24/04
- ML-104683 – 06/18/02
- ML-104686 – 10/06/03
- ML-104687 – 03/25/04
- ML-104694 – 10/06/03
- ML-104696 – 06/19/02
- ML-134075 – 03/25/04
- ML-134085 – 03/25/04
- ML-134274 – 03/27/04
- ML-134277 – 03/26/04
- ML-134278 – 03/26/04
- ML-134281 – 03/26/04



M802/V1401 BOWL GUARD INTERLOCK AND LIMIT SWITCH

**M802/V1401 BOWL GUARD INTERLOCK
AND LIMIT SWITCH**

ILLUS. PL-58380	PART NO.	NAME OF PART	AMT.
1	WL-007-07	Lockwasher #8 External	2
2	SC-009-56	Mach. Screw 8-32 x 3/8 Slotted Rd. Hd.....	2
3	00-439116	Bracket – Limit Switch (All Except ML-104694).....	1
4	00-477116	Bracket – Limit Switch (ML-104694).....	1
5	00-439117	Bracket – Limit Switch (All Except ML-104686).....	1
6	00-477117	Bracket – Limit Switch (ML-104686).....	1
7	00-270632	Bushing – Snap	1
8	00-294853-00016	Cable – Control.....	1
9	SC-008-41	Mach. Screw 10-32 x 1/2 Slotted Rd. Hd.....	1
10	00-078752-00003	Clamp – Cable	1
11	FE-022-84	Strain Relief (Heyco #3231) Liquid Tight	1
12	00-087711-00249	Limit Switch.....	1
13	NS-018-18	Jam Nut 3/8-24 (SST).....	1
14	WL-004-04	Lockwasher 3/8 Helical.....	1
15	WS-005-44	Washer.....	1
16	WS-018-31	Washer.....	1
17	SC-041-28	Cap Screw 3/8-16 x 3/4 Hex Hd.	1
18	SC-021-15	Mach. Screw 8-32 x 1/2 Slotted Rd. Hd.....	3
19	SC-122-76	Mach. Screw 8-32 x 1/2 Tx. Button Hd. (SST) (M802C & V1401C)	3
20	00-874958-00001	Reed Switch & Tube (No Fuse)	1
21	00-874958-00002	Reed Switch & Tube (Fuse).....	1
22	SC-047-73	Set Screw 8-32 x 3/16 Hex Hdls., Cup Pt.....	1
23	00-874947	Housing – Reed Switch	1
24	00-875831-00001	Housing – Reed Switch (No Fuse)	1
25	SC-021-15	Mach. Screw 8-32 x 1/2 Slotted Rd. Hd.....	3
26	SC-122-76	Mach. Screw 8-32 x 1/2 Tx. Button Hd. (SST).....	3
27	SC-018-50	Mach. Screw 6-32 x 1/4 Slotted Pan Hd.....	2
28	NS-048-11	Lock Nut 8-32	1
29	00-438124-00003	Housing – Switch (Deluxe) (ML-104696).....	1
30	00-438051-00003	Housing – Switch (Deluxe) (ML-104683).....	1
31	00-438124-00002	Housing – Switch (Painted) (M802)	1
32	00-438051-00002	Housing – Switch (Painted) (V1401).....	1
33	SC-116-66	Mach. Screw 8-32 x 2 Slotted Rd. Hd. (SST)	1
34	SC-122-75	Mach. Screw 8-32 x 2 Tx. Button Hd. (SST) (M802C & V1401C)	1
35	00-437435	Spring – Reed Switch	1

