



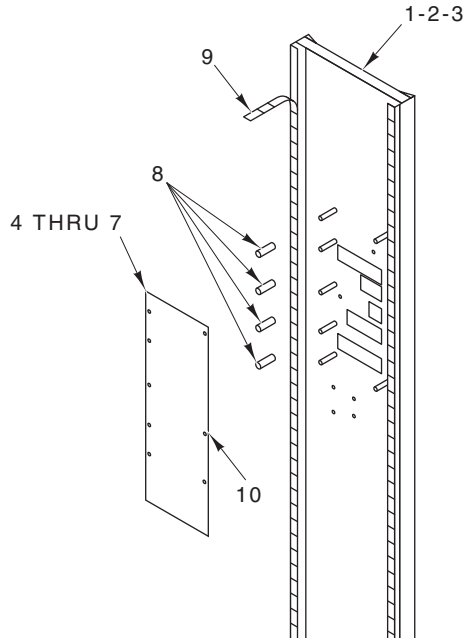
# CATALOG OF REPLACEMENT PARTS

## HPC PROOFER AND HRP RETARDER/PROOFER

HPC100	ML-132156	HRP100	ML-132209
	ML-132157		ML-132210
	ML-132158		ML-132211
	ML-132159		ML-132212
	ML-132160		ML-132213
	ML-132161		ML-132214
	ML-132162		ML-132215
HPC200	ML-132163	HRP200	ML-132224
	ML-132164		ML-132225
	ML-132165		ML-132226
	ML-132166		ML-132227
	ML-132167		ML-132228
	ML-132168		ML-132229
	ML-132169		ML-132230
HPC300	ML-132170		
	ML-132171		
	ML-132172		
	ML-132173		
	ML-132174		
	ML-132175		
	ML-132176		

**Table of Contents**

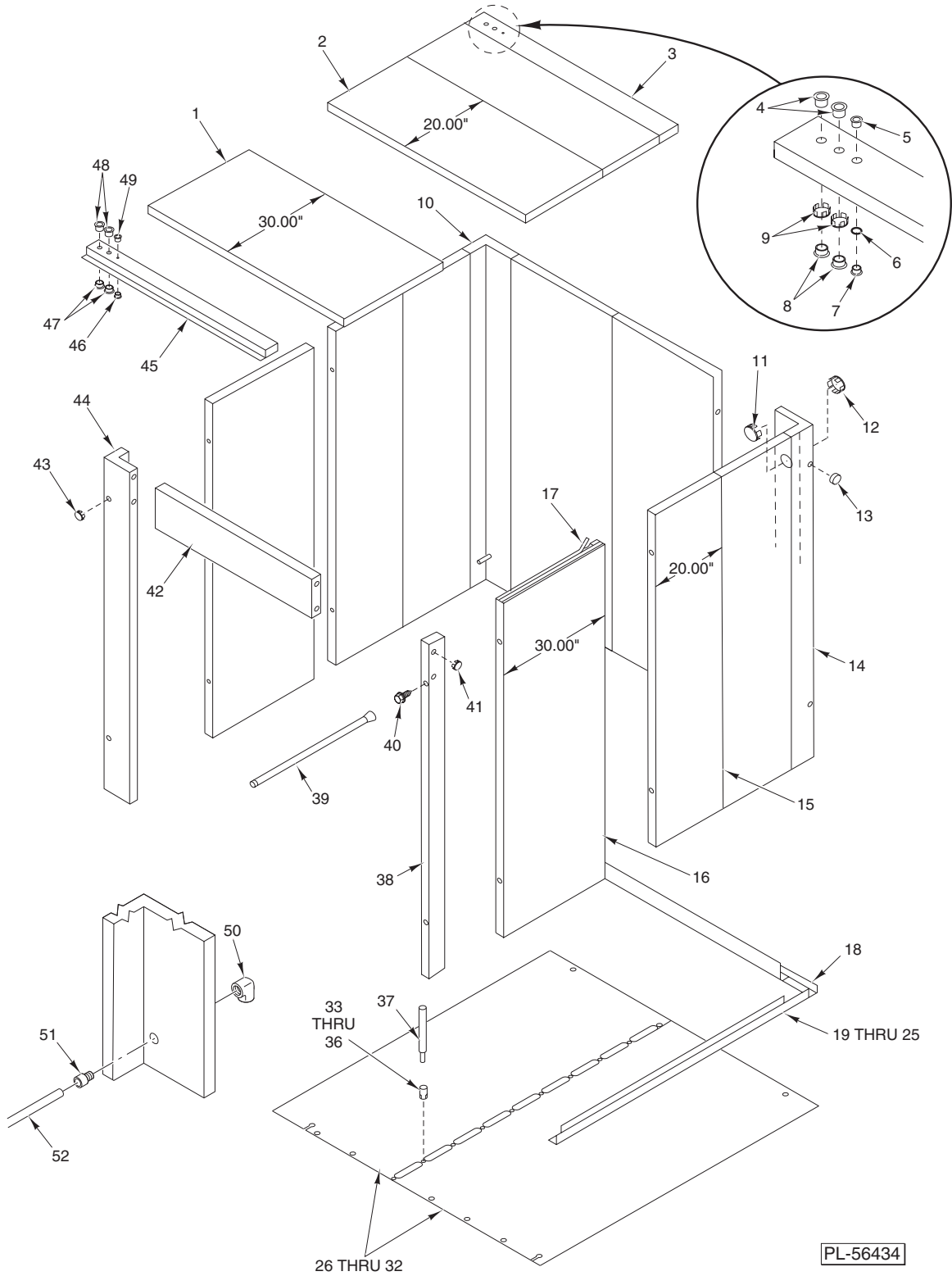
<b>Page</b>	<b>Description</b>
3	Control Panel
5	Single Door Cabinet
7	Double Door Cabinet
9	Triple Door Cabinet
11	Single Door
13	Double Door
15	Triple Door
17	Front Trim and Bumper
19	Air Supply
21	Control/Service Entrance, Thermistor, and Humidity Sensor
23	Water Supply and Upper Trim
25	Condenser (R22) (Retarder/Proofer)
27	Refrigeration Flex Conduit (Retarder/Proofer)



PL-57090

**CONTROL PANEL**

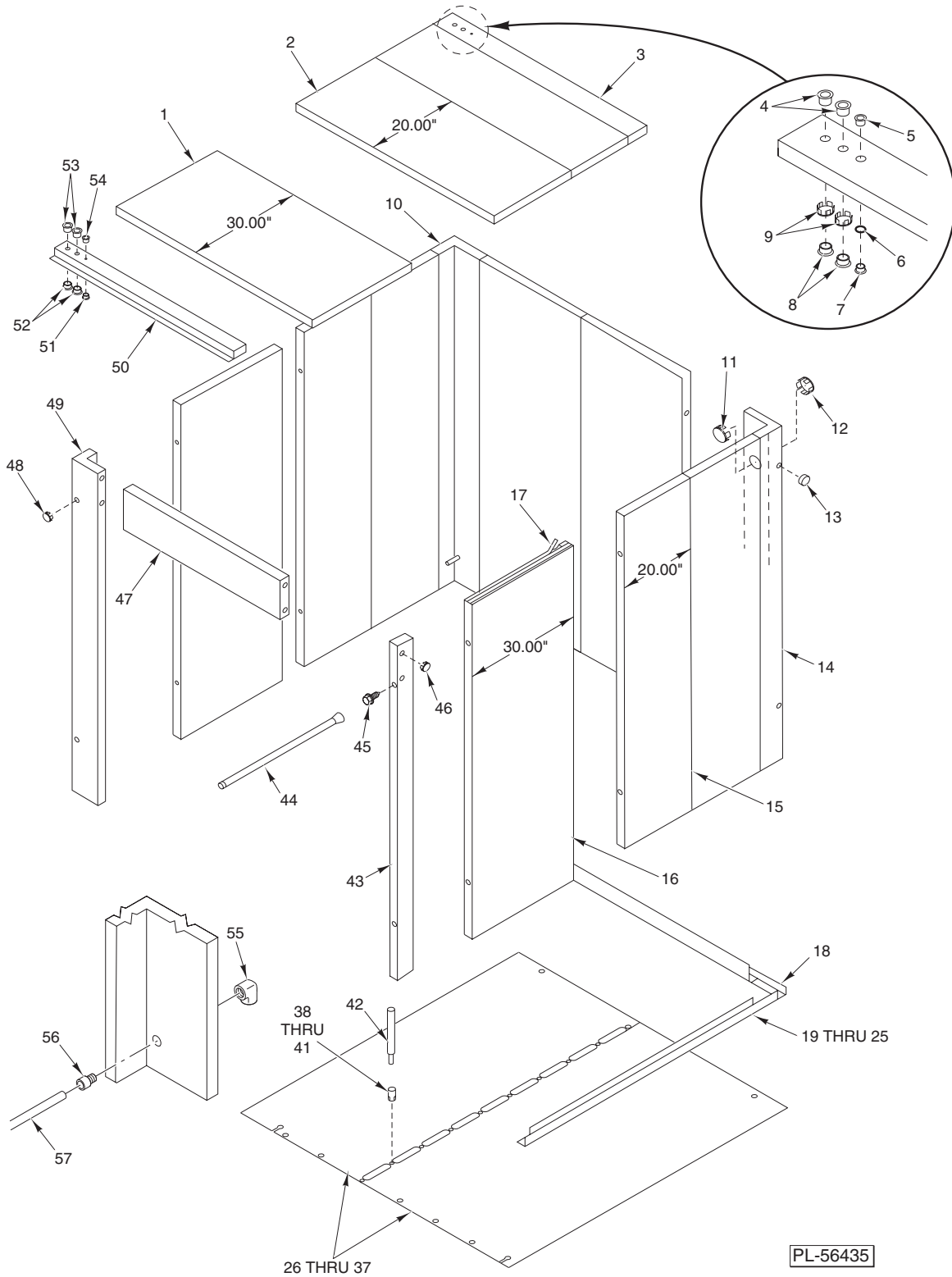
ILLUS.	PART NO.	NAME OF PART	AMT.
	PL-57090		
1	01-1P1818-00001	Panel – Weldment W/O Fas-Thaw (Retarder/Proofer) .....	1
2	01-1P1818-00002	Panel – Weldment W/Fas-Thaw (Retarder/Proofer) .....	1
3	01-1P1818-00003	Panel – Weldment W/O Fas-Thaw (Proofer) .....	1
4	01-1P1819-0008A	PCB Assy. W/O Fas-Thaw (Proofer) .....	1
5	01-1P1819-0009A	PCB Assy. W/Fas-Thaw (Proofer) .....	1
6	01-1P1819-0005A	PCB Assy. W/O Fas-Thaw (Retarder/Proofer) .....	1
7	01-1P1819-0006A	PCB Assy. W/Fas-Thaw (Retarder/Proofer) .....	1
8	01-1M3001-00003	Spacer – Board .....	8
9	01-100V21-00092	Gasket – Extruded (PVC) .....	AR
10	01-100V23-00S3B	Cap – Black Rubber (For Switches) .....	AR
	01-1P1820-0001A	Control Panel (Incls. Items 5, 9, & 10) .....	1
	01-1P1820-0003A	Control Panel – Door W/Fas-Thaw (Incls. Items 6, 9, & 10) .....	1
	01-100V16-0335A	Label – Control Panel Setup .....	1



**SINGLE DOOR CABINET**

## SINGLE DOOR CABINET

ILLUS. PL-56434	PART NO.	NAME OF PART	AMT.
1	01-1P1242-00004	Panel – Ceiling (30 In. x 38 In.)	AR
2	01-1P1242-00001	Panel – Ceiling (20 In. x 38 In.)	AR
3	01-1P1266-00001	Ceiling – Rear	1
4	01-1000V5-00035	Bushing – Snap 1 In.	2
5	01-1000V5-00143	Bushing – Snap 5/8	2
6	01-100V15-00049	Plug – Nickel Plated 5/8	1
7	01-1000V5-00143	Bushing – Snap 5/8	2
8	01-1000V5-00035	Bushing – Snap 1 In.	2
9	01-100V15-00058	Plug – Nickel Plated 1 In.	4
10	01-1P1225-00002	Corner – Rear (Left Side)	1
11	01-100V15-00047	Plug – Nickel Plated 1 1/4 In.	3
12	01-100V15-00058	Plug – Nickel Plated 1 In.	1
13	01-100V15-00065	Plug – Modified	12
14	01-1P1225-00001	Corner – Rear (Right Side)	1
15	01-1P1219-00001	Panel – Wall (20 In. Wide)	AR
16	01-1P1219-00002	Panel – Wall (30 In. Wide)	AR
17	01-100V21-00092	Gasket – PVC Extruded (Per Foot)	AR
18	01-1P1275-03800	Channel – Base Rear (38.00 In.)	1
19	01-1P1275-02506	Channel – Base Side (25.06 In.)	2
20	01-1P1275-03506	Channel – Base Side (35.06 In.)	2
21	01-1P1275-04506	Channel – Base Side (45.06 In.)	2
22	01-1P1275-05506	Channel – Base Side (55.06 In.)	2
23	01-1P1275-06506	Channel – Base Side (65.06 In.)	2
24	01-1P1275-07506	Channel – Base Side (75.06 In.)	2
25	01-1P1275-11506	Channel – Base Side (115.06 In.)	2
26	01-1P1306-00028	Floor Assy. (36.08 In.)	1
27	01-1P1306-00038	Floor Assy. (46.08 In.)	1
28	01-1P1306-00048	Floor Assy. (56.08 In.)	1
29	01-1P1306-00058	Floor Assy. (66.08 In.)	1
30	01-1P1306-00068	Floor Assy. (76.08 In.)	1
31	01-1P1306-00078	Floor Assy. (86.08 In.)	1
32	01-1P1306-00118	Floor Assy. (126.08 In.)	1
33	01-1000V4-00073	Anchor – Drop-In 1/4-20	AR
34	01-1000V4-00221	Mach. Screw 1/4-20 x 1/2 Phil. Flat Hd.	AR
35	01-1000V4-00222	Mach. Screw 1/4-20 x 3/4 Phil. Flat Hd.	AR
36	01-1000V4-00223	Mach. Screw 1/4-20 x 1 Phil. Flat Hd.	AR
37	01-1000V4-0073A	Tool – Setting	1
38	01-1P1509-00002	Jamb – Outer (Right Side)	1
39	01-1P1334-00001	Extender – Socket Assy.	1
40	01-1000V4-00102	Screw – Gimlet Point Hex Hd.	AR
41	01-100V15-00065	Plug – Plated	6
42	01-1P1238-00001	Header	1
43	01-100V15-00065	Plug – Plated	6
44	01-1P1509-00001	Jamb – Outer (Left side)	1
45	01-1P1347-00001	Filler – Ceiling	1
46	01-1000V5-00143	Bushing – Snap 5/8	1
47	01-1000V5-00035	Bushing – Snap 1 In.	2
48	01-1000V5-00035	Bushing – Snap 1 In.	2
49	01-1000V5-00143	Bushing – Snap 5/8	1
50	01-100V17-00313	Elbow	1
51	01-100V17-00326	Fitting 5/8 COMP x 1/2 NPTM	2
52	01-100V17-00102	Tubing Copper 5/8 O.D.	AR

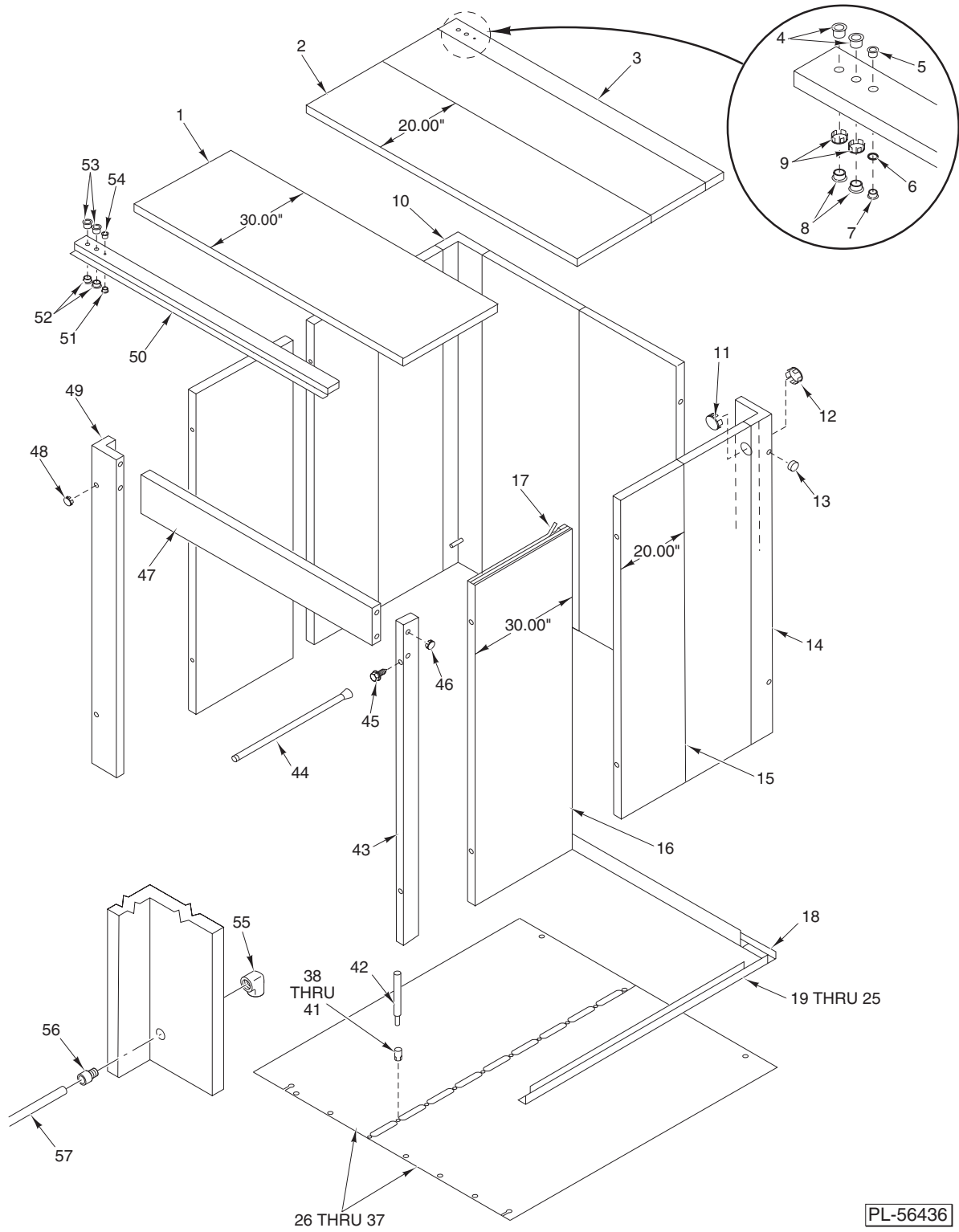


PL-56435

**DOUBLE DOOR CABINET**

## DOUBLE DOOR CABINET

ILLUS.	PART NO.	NAME OF PART	AMT.
PL-56435			
1	01-1P1242-00006	Panel – Ceiling (30 In. x 78.62 In.)	AR
2	01-1P1242-00003	Panel – Ceiling (20 In. x 78.62 In.)	AR
3	01-1P1266-00002	Ceiling – Rear	1
4	01-1000V5-00035	Bushing – Snap 1 In.	AR
5	01-1000V5-00143	Bushing – Snap 5/8	4
6	01-100V15-00049	Plug – Nickel Plated 5/8	1
7	01-1000V5-00143	Bushing – Snap 5/8	4
8	01-1000V5-00035	Bushing – Snap 1 In.	AR
9	01-100V15-00058	Plug – Nickel Plated 1 In.	6
10	01-1P1225-00003	Corner – Rear (Left Side)	1
11	01-100V15-00047	Plug – Nickel Plated 1 1/4 In.	4
12	01-100V15-00049	Plug – Nickel Plated 5/8	1
13	01-100V15-00065	Plug – Modified	10
14	01-1P1225-00001	Corner – Rear (Right Side)	1
15	01-1P1219-00001	Panel – Wall (20 In. Wide)	AR
16	01-1P1219-00002	Panel – Wall (30 In. Wide)	AR
17	01-100V21-00092	Gasket – PVC Extruded (Per Foot)	AR
18	01-1P1275-07862	Channel – Base Rear (78.62 In.)	1
19	01-1P1275-02506	Channel – Base Side (25.06 In.)	2
20	01-1P1275-03506	Channel – Base Side (35.06 In.)	2
21	01-1P1275-04506	Channel – Base Side (45.06 In.)	2
22	01-1P1275-05506	Channel – Base Side (55.06 In.)	2
23	01-1P1275-06506	Channel – Base Side (65.06 In.)	2
24	01-1P1275-07506	Channel – Base Side (75.06 In.)	2
25	01-1P1275-11506	Channel – Base Side (115.06 In.)	2
26	01-1P1307-00028	Floor Assy. (31.08 In.)	1
27	01-1P1307-00038	Floor Assy. (41.08 In.)	1
28	01-1P1307-00048	Floor Assy. (51.08 In.)	1
29	01-1P1307-00058	Floor Assy. (61.08 In.)	1
30	01-1P1307-00068	Floor Assy. (71.08 In.)	1
31	01-1P1307-00078	Floor Assy. (81.08 In.)	1
32	01-1P1307-00118	Floor Assy. (121.08 In.)	1
33	01-1P1307-0048R	Floor Assy. (51.08 In.)	1
34	01-1P1307-0058R	Floor Assy. (61.08 In.)	1
35	01-1P1307-0068R	Floor Assy. (71.08 In.)	1
36	01-1P1307-0078R	Floor Assy. (81.08 In.)	1
37	01-1P1307-0118R	Floor Assy. (121.08 In.)	1
38	01-1000V4-00073	Anchor – Drop-In 1/4-20	AR
39	01-1000V4-00221	Mach. Screw 1/4-20 x 1/2 Phil. Flat Hd.	AR
40	01-1000V4-00222	Mach. Screw 1/4-20 x 3/4 Phil. Flat Hd.	AR
41	01-1000V4-00223	Mach. Screw 1/4-20 x 1 Phil. Flat Hd.	AR
42	01-1000V4-0073A	Tool – Setting	1
43	01-1P1509-00005	Jamb – Outer (Right Side)	1
44	01-1P1334-00001	Socket – Extender Assy.	1
45	01-1000V4-00102	Screw – Gimlet Point Hex Hd.	AR
46	01-100V15-00065	Plug – Modified	10
47	01-1P1238-00002	Header	1
48	01-100V15-00065	Plug – Modified	10
49	01-1P1509-00003	Jamb – Outer (Left Side)	1
50	01-1P1348-00002	Filler – Ceiling	1
51	01-1000V5-00143	Bushing – Snap 5/8	4
52	01-1000V5-00035	Bushing – Snap 1 In.	AR
53	01-1000V5-00035	Bushing – Snap 1 In.	AR
54	01-1000V5-00143	Bushing – Snap 5/8	4
55	01-100V17-00313	Elbow	1
56	01-100V17-00326	Fitting 5/8 COMP x 1/2 NPTM	2
57	01-100V17-00102	Tubing Copper 5/8 O.D.	AR



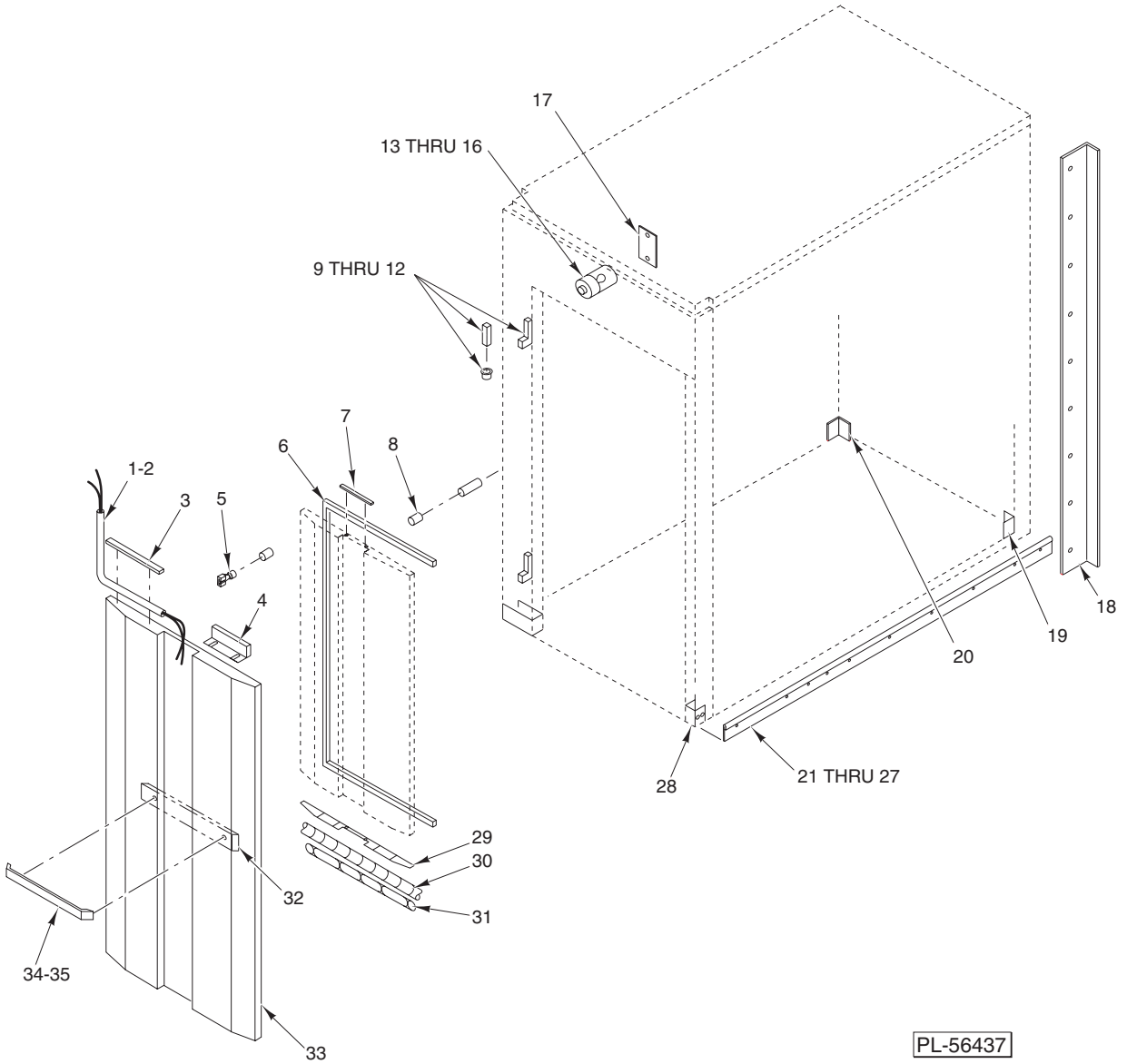
PL-56436

**TRIPLE DOOR CABINET**



## TRIPLE DOOR CABINET

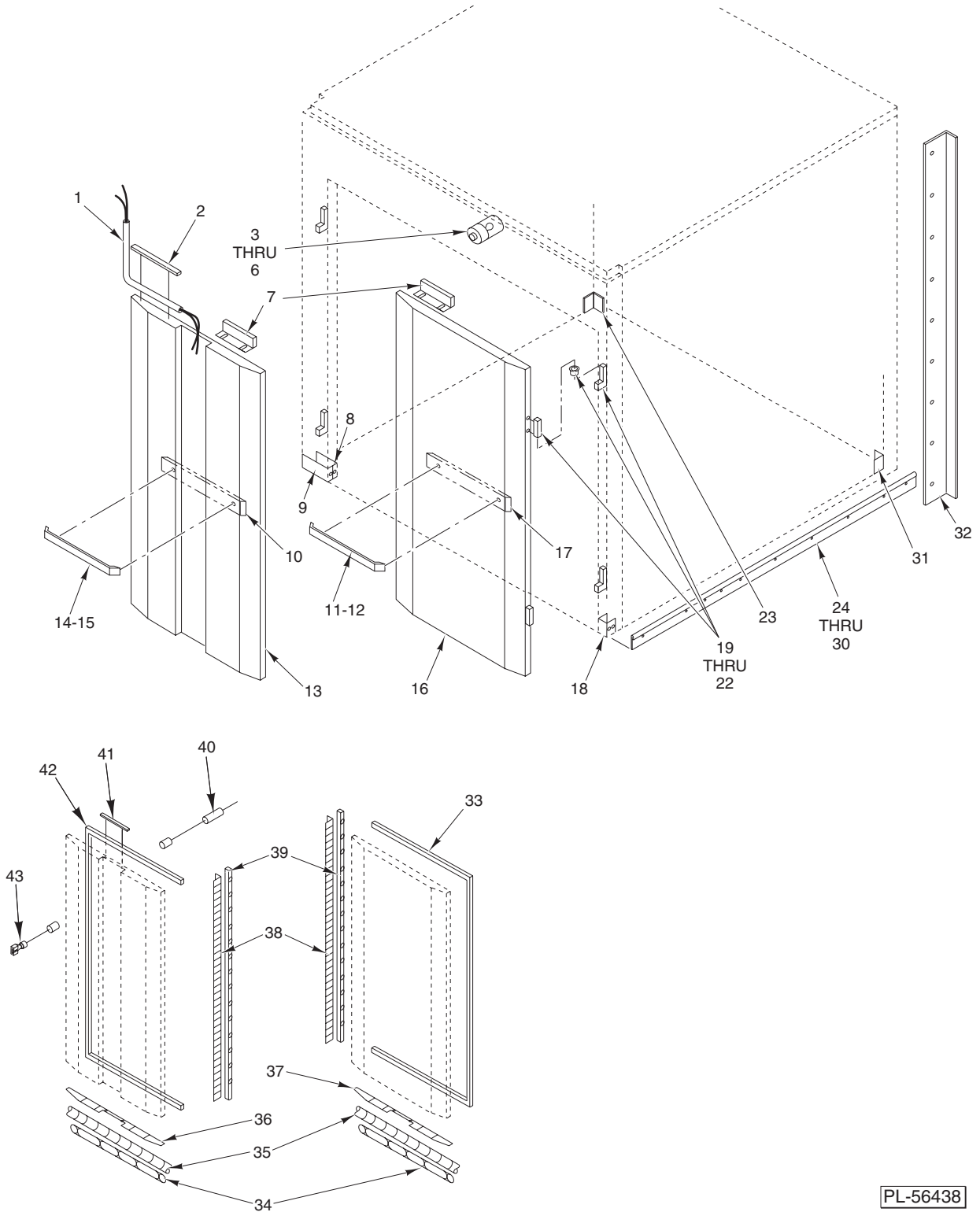
ILLUS.	PART NO.	NAME OF PART	AMT.
	PL-56436		
1	01-1P1515-00004	Panel – Ceiling (30 In. x 118 <sup>5</sup> / <sub>8</sub> In.)	AR
2	01-1P1515-00008	Panel – Ceiling (20 x118 <sup>5</sup> / <sub>8</sub> In.)	AR
3	01-1P1266-00003	Ceiling – Rear	1
4	01-1000V5-00035	Bushing – Snap 1 In.	2
5	01-1000V5-00143	Bushing – Snap <sup>5</sup> / <sub>8</sub>	1
6	01-100V15-00049	Plug – Nickel Plated <sup>5</sup> / <sub>8</sub>	1
7	01-1000V5-00143	Bushing – Snap <sup>5</sup> / <sub>8</sub>	1
8	01-1000V5-00035	Bushing – Snap 1 In.	2
9	01-100V15-00058	Plug – Nickel Plated 1 In.	6
10	01-1P1225-00003	Corner – Rear (Left Side)	1
11	01-100V15-00047	Plug – Nickel Plated 1 <sup>1</sup> / <sub>4</sub> In.	4
12	01-100V15-00058	Plug – Nickel Plated 1 In.	6
13	01-100V15-00065	Plug – Modified	10
14	01-1P1225-00001	Corner – Rear (Right Side)	1
15	01-1P1219-00001	Panel – Wall (20 In. Wide)	AR
16	01-1P1219-00002	Panel – Wall (30 In. Wide)	AR
17	01-100V21-00092	Gasket – PVC Extruded (Per Foot)	AR
18	01-1P1275-11862	Channel – Base Rear (118.62 In.)	1
19	01-1P1275-02506	Channel – Base Side (25.06 In.)	2
20	01-1P1275-03506	Channel – Base Side (35.06 In.)	2
21	01-1P1275-04506	Channel – Base Side (45.06 In.)	2
22	01-1P1275-05506	Channel – Base Side (55.06 In.)	2
23	01-1P1275-06506	Channel – Base Side (65.06 In.)	2
24	01-1P1275-07506	Channel – Base Side (75.06 In.)	2
25	01-1P1275-11506	Channel – Base Side (115.06 In.)	2
26	01-1P1516-00028	Floor Assy. (28 In.)	1
27	01-1P1516-00038	Floor Assy. (38 In.)	1
28	01-1P1516-0048C	Floor Assy. (51.08 In.)	1
29	01-1P1516-0048R	Floor Assy. (51.08 In.)	1
30	01-1P1516-0058C	Floor Assy. (61.08 In.)	1
31	01-1P1516-0058R	Floor Assy. (61.08 In.)	1
32	01-1P1516-0068C	Floor Assy. (71.08 In.)	1
33	01-1P1516-0068R	Floor Assy. (71.08 In.)	1
34	01-1P1516-0078C	Floor Assy. (81.08 In.)	1
35	01-1P1516-0078R	Floor Assy. (81.08 In.)	1
36	01-1P1516-0118C	Floor Assy. (121.08 In.)	1
37	01-1P1516-0118R	Floor Assy. (121.08 In.)	1
38	01-1000V4-00073	Anchor – Drop-In <sup>1</sup> / <sub>4</sub> -20	AR
39	01-1000V4-00221	Mach. Screw <sup>1</sup> / <sub>4</sub> -20 x <sup>1</sup> / <sub>2</sub> Phil. Flat Hd.	AR
40	01-1000V4-00222	Mach. Screw <sup>1</sup> / <sub>4</sub> -20 x <sup>3</sup> / <sub>4</sub> Phil. Flat Hd.	AR
41	01-1000V4-00223	Mach. Screw <sup>1</sup> / <sub>4</sub> -20 x 1 Phil. Flat Hd.	AR
42	01-1000V4-0073A	Tool – Setting	1
43	01-1P1509-00005	Jamb – Outer (Right Side)	1
44	01-1P1334-00001	Socket – Extender Assy.	1
45	01-1000V4-00102	Screw – Gimlet Point Hex Hd.	AR
46	01-100V15-00065	Plug – Modified	10
47	01-1P1238-00003	Header	1
48	01-100V15-00065	Plug – Modified	1
49	01-1P1509-00003	Jamb – Outer (Left Side)	1
50	01-1P1348-00003	Filler – Ceiling	1
51	01-1000V5-00143	Bushing – Snap <sup>5</sup> / <sub>8</sub>	1
52	01-1000V5-00035	Bushing – Snap 1 In.	2
53	01-1000V5-00035	Bushing – Snap 1 In.	2
54	01-1000V5-00143	Bushing – Snap <sup>5</sup> / <sub>8</sub>	1
55	01-100V17-00313	Elbow	1
56	01-100V17-00326	Fitting <sup>5</sup> / <sub>8</sub> COMP x <sup>1</sup> / <sub>2</sub> NPTM	2
57	01-000V17-00102	Tubing Copper <sup>5</sup> / <sub>8</sub> O.D.	AR



**SINGLE DOOR**

## SINGLE DOOR

ILLUS. PL-56437	PART NO.	NAME OF PART	AMT.
1	01-1P1384-00001	Conduit – Wire (W/RH Door Hinge – Option) .....	1
2	01-1P1384-00002	Conduit – Wire (W/LH Door Hinge – Standard) .....	1
3	01-1P1485-00001	Clamp – Wire Tube Door .....	1
4	01-1P1472-00001	Magnet Assy. – Door .....	1
5	01-1P1521-00102	Harness – Hand Held Temperature Probe (Option) .....	1
6	01-100V16-0271A	Gasket – Magnetic .....	1
7	01-1P1486-00001	Angle – Retainer .....	1
8	01-100V10-00146	Probe – Hand Held Temperature (Option) .....	1
9	01-1A1965-00001	Hinge Kit – Door (LH) (Std.) (Incls. Items 10, 11, & 12) .....	1
10	01-1000V0-00056	Bearing – Flange (Oil Filled) .....	2
11	01-1P1507-00001	Hinge Half (Door) .....	2
12	01-1P1506-00001	Hinge Half (Jamb) .....	2
13	01-1P1366-00001	Light Fixture Assy. (Incls. Items 14, 15, & 16) .....	1
14	01-1P1366-00101	Light Fixture .....	1
15	01-1000V7-00021	Bulb – Traffic Signal .....	1
16	01-1000V7-0014G	Globe – Light Fixture .....	1
17	01-1P1294-00001	Cover – Light Hole .....	1
18	01-10P583-00001	Trim – Finish .....	2
19	01-1P1270-00002	Cove – Corner .....	1
20	01-1P1270-00002	Cove – Corner (7.66 In.) .....	1
21	01-10P658-00004	Trim – Base (40.50 In.) .....	2
22	01-10P658-00005	Trim – Base (50.50 In.) .....	2
23	01-10P658-00006	Trim – Base (60.50 In.) .....	2
24	01-10P658-00007	Trim – Base (70.50 In.) .....	2
25	01-10P658-00008	Trim – Base (80.50 In.) .....	2
26	01-10P658-00009	Trim – Base (90.50 In.) .....	2
27	01-10P658-00015	Trim – Base (128.82 In.) .....	2
28	01-1P1271-00001	Cove – Outer Jamb (2.10 In.) .....	2
29	01-1P1496-00001	Bracket – Floor Seal .....	1
30	01-1P1497-00001	Seal – Floor .....	1
31	01-1P1496-00003	Bracket – Floor Seal .....	1
32	01-1P1494-00001	Bumper – Door .....	1
33	01-1P1491-00001	Door (Control) .....	1
34	01-1P1498-00001	Handle – Door .....	1
35	01-1000V4-00100	Mach. Screw Flat Hd. .....	2
	01-1P1469-00002	Kit – Door Adjustment .....	AR

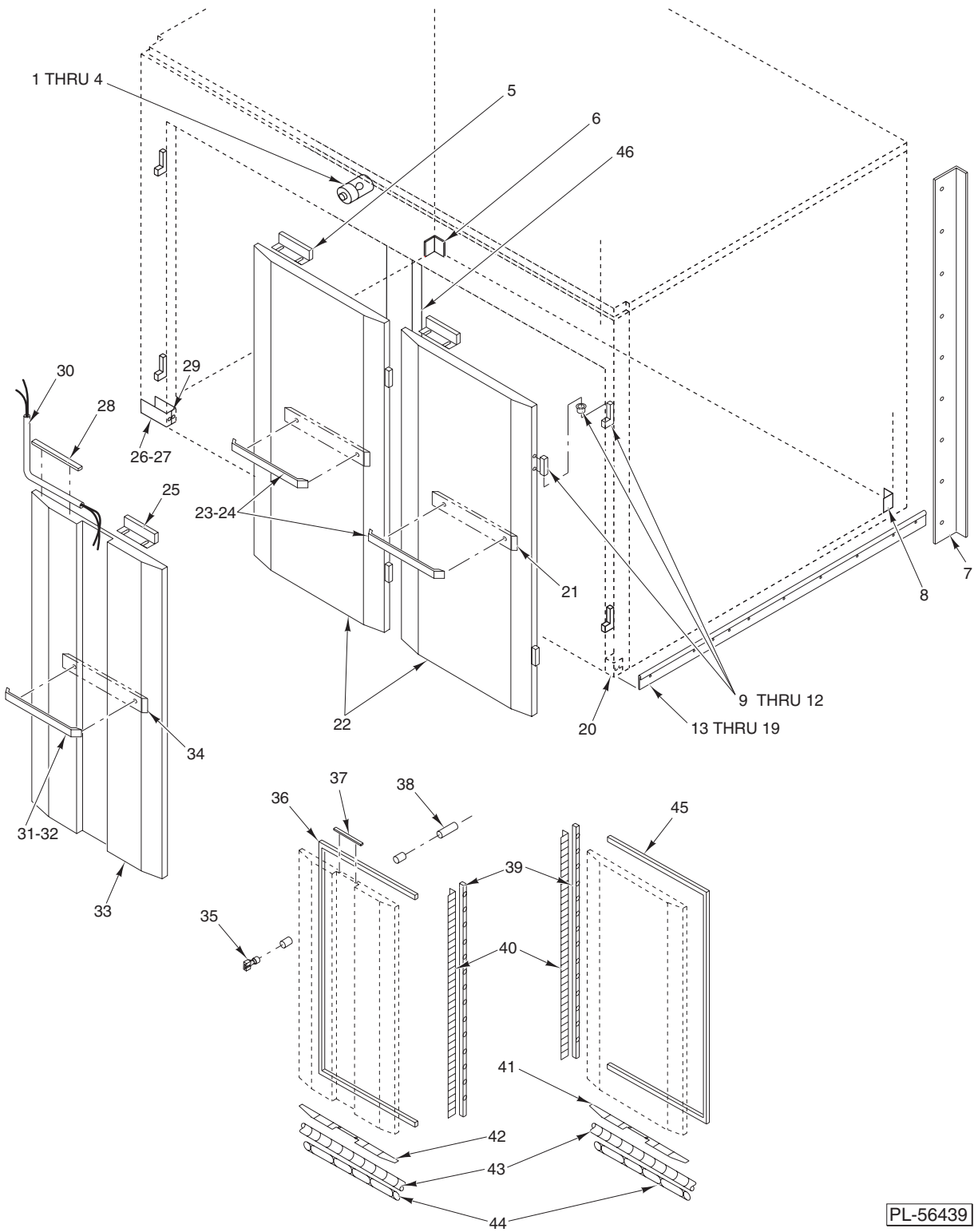


PL-56438

**DOUBLE DOOR**

## DOUBLE DOOR

ILLUS. PL-56438	PART NO.	NAME OF PART	AMT.
1	01-1P1384-00002	Conduit – Wire .....	1
2	01-1P1485-00001	Clamp – Wire Tube (Door) .....	3
3	01-1P1366-00001	Light Fixture Assy. (Incls. Items 4, 5, & 6) .....	1
4	01-1P1366-00101	Light Fixture .....	1
5	01-1000V7-00021	Bulb – Traffic Signal .....	1
6	01-1000V7-0014G	Globe – Light Fixture .....	2
7	01-1P1471-00001	Magnet Assy. – Door .....	3
8	01-1P1272-00001	Cove – Inner Jamb .....	1
9	01-1P1271-00002	Cove – Outer Jamb .....	1
10	01-1P1494-00001	Bumper – Door .....	1
11	01-1P1498-00001	Handle – Door .....	1
12	01-1000V4-00100	Mach. Screw Flat Hd. ....	4
13	01-1P1491-00001	Door (Control) .....	1
14	01-1P1498-00001	Handle – Door .....	2
15	01-1000V4-00100	Mach. Screw Flat Hd. ....	4
16	01-1P1491-00002	Door (Blank) .....	2
17	01-1P1494-00001	Bumper – Door .....	2
18	01-1P1271-00001	Cove – Outer Jamb .....	1
19	01-1A1965-00002	Hinge Kit – Door (Incls. Items 20, 21, & 22) .....	1
20	01-1P1507-00001	Hinge Half – Door .....	6
21	01-1P1506-00001	Hinge Half – Jamb .....	6
22	01-1000V0-00056	Bearing – Flanged (Oil Filled Bronze) .....	6
23	01-1P1270-00001	Cove – Corner .....	1
24	01-10P658-00004	Trim – Base (40.50 In.) .....	2
25	01-10P658-00005	Trim – Base (50.50 In.) .....	2
26	01-10P658-00006	Trim – Base (60.50 In.) .....	2
27	01-10P658-00007	Trim – Base (70.50 In.) .....	2
28	01-10P658-00008	Trim – Base (80.50 In.) .....	2
29	01-10P658-00009	Trim – Base (90.50 In.) .....	2
30	01-10P658-00015	Trim – Base (128.82 In.) .....	2
31	01-1P1270-00001	Cove – Corner .....	1
32	01-10P583-00001	Trim – Finish .....	2
33	01-100V16-0271B	Gasket – Magnetic .....	1
34	01-1P1496-00003	Bracket – Floor Seal .....	2
35	01-1P1497-00001	Seal – Floor .....	2
36	01-1P1496-00001	Bracket – Floor Seal .....	1
37	01-1P1496-00002	Bracket – Floor Seal .....	1
38	01-1P1466-00001	Stripe – Silicone Door Seal .....	2
39	01-1P1467-00001	Clamp – Door Strip .....	2
40	01-100V10-00146	Probe – Hand Held Temperature (Option) .....	1
41	01-1P1486-00001	Angle – Retainer .....	1
42	01-100V16-0271B	Gasket – Magnetic .....	2
43	01-1P1521-00102	Harness – Hand Held Temperature Probe (Option) .....	1
	01-1P1469-00002	Kit – Door Adjustment .....	AR

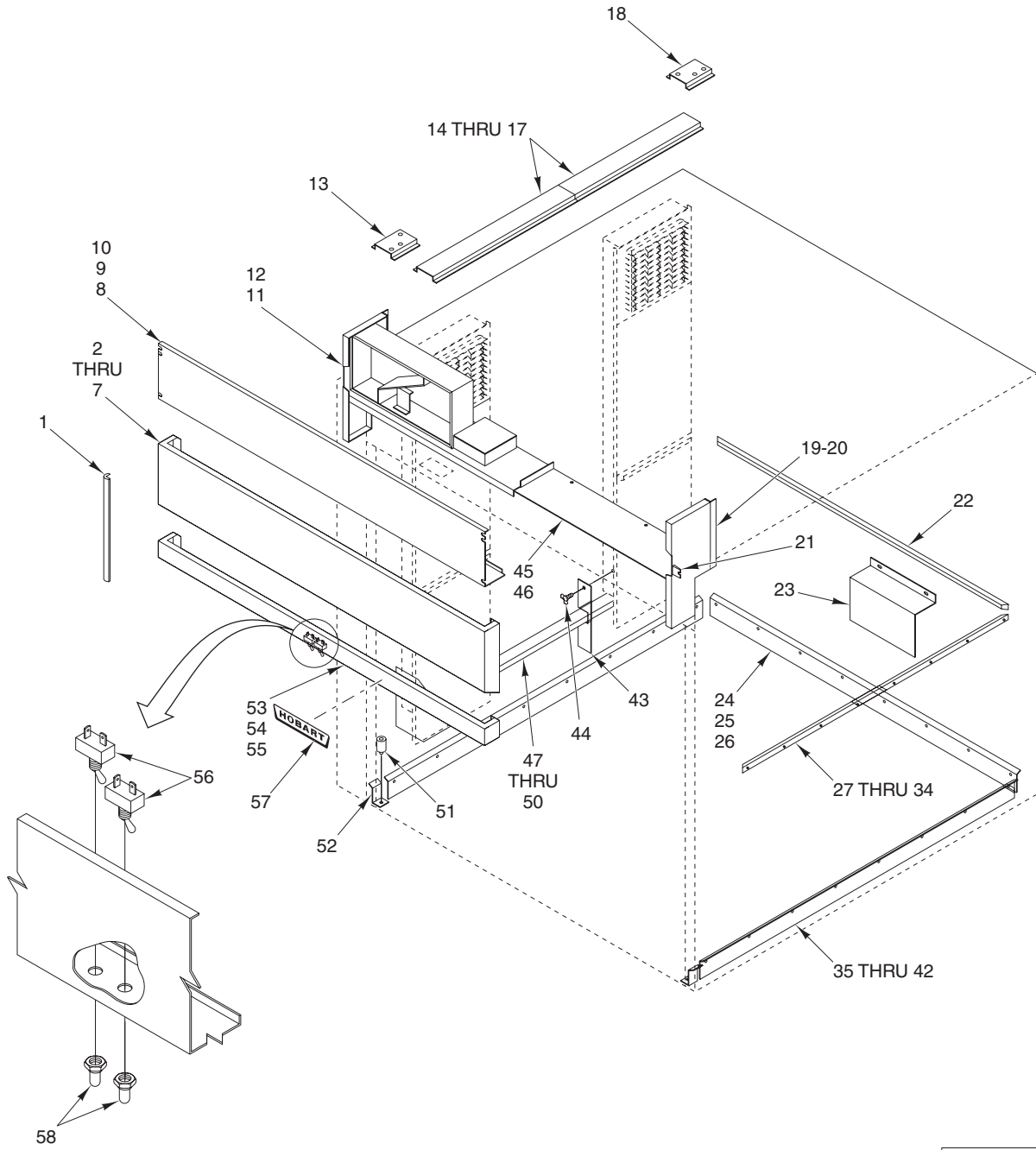


PL-56439

**TRIPLE DOOR**

TRIPLE DOOR

ILLUS.	PART NO.	NAME OF PART	AMT.
	PL-56439		
1	01-1P1366-00001	Light Fixture Assy. (Incls. Items 2, 3, & 4)	1
2	01-1P1366-00101	Light Fixture	1
3	01-1000V7-00021	Bulb – Traffic Signal	1
4	01-1000V7-0014G	Globe – Light Fixture	1
5	01-1P1471-00001	Magnet Assy. – Door	3
6	01-1P1270-00001	Cove – Corner	1
7	01-10P583-00001	Trim – Finish	2
8	01-1P1270-00001	Cove – Corner	1
9	01-1A1965-00002	Hinge Kit – Door (Incls. Items 10, 11, & 12)	1
10	01-1P1506-00001	Hinge Half – Jamb	6
11	01-1000V0-00056	Bearing – Flanged (Oil Filled Bronze)	6
12	01-1P1507-00001	Hinge Half – Door	6
13	01-10P658-00004	Trim – Base (40.50 In.)	2
14	01-10P658-00005	Trim – Base (50.50 In.)	2
15	01-10P658-00006	Trim – Base (60.50 In.)	2
16	01-10P658-00007	Trim – Base (70.50 In.)	2
17	01-10P658-00008	Trim – Base (80.50 In.)	2
18	01-10P658-00009	Trim – Base (90.50 In.)	2
19	01-10P658-00015	Trim – Base (128.82 In.)	2
20	01-1P1271-00001	Cove – Outer Jamb	1
21	01-1P1494-00001	Bumper – Door	2
22	01-1P1491-00002	Door (Blank)	2
23	01-1P1498-00001	Handle – Door	2
24	01-1000V4-00100	Mach. Screw Flat Hd.	4
25	01-1P1471-00001	Magnet Assy. – Door	3
26	01-1P1271-00002	Cove – Outer Jamb	1
27	01-1P1271-00003	Cove – Jamb	2
28	01-1P1485-00001	Clamp – Wire Tube (Door)	1
29	01-1P1272-00001	Cove – Inner Jamb	1
30	01-1P1384-00002	Conduit – Wire	1
31	01-1P1498-00001	Handle – Door	1
32	01-1000V4-00100	Mach. Screw Flat Hd.	2
33	01-1P1491-00001	Door (Control)	1
34	01-1P1494-00001	Bumper – Door	1
35	01-1P1521-00102	Harness – Hand Held Temperature Probe (Option)	1
36	01-100V16-0271B	Gasket – Magnetic	2
37	01-1P1486-00001	Angle – Retainer	1
38	01-100V10-00146	Probe – Hand Held Temperature (Option)	1
39	01-1P1467-00001	Clamp – Door Strip	2
40	01-1P1466-00001	Stripe – Silicone Door Seal	2
41	01-1P1496-00002	Bracket – Floor Seal	1
42	01-1P1496-00001	Bracket – Floor Seal	1
43	01-1P1497-00001	Seal – Floor	2
44	01-1P1496-00003	Bracket – Floor Seal	2
45	01-100V16-0271E	Gasket – Magnetic	1
46	01-1P1502-00001	Jamb, Center (PC, RP, & RR)	1
	01-1P1469-00002	Kit – Door Adjustment	AR



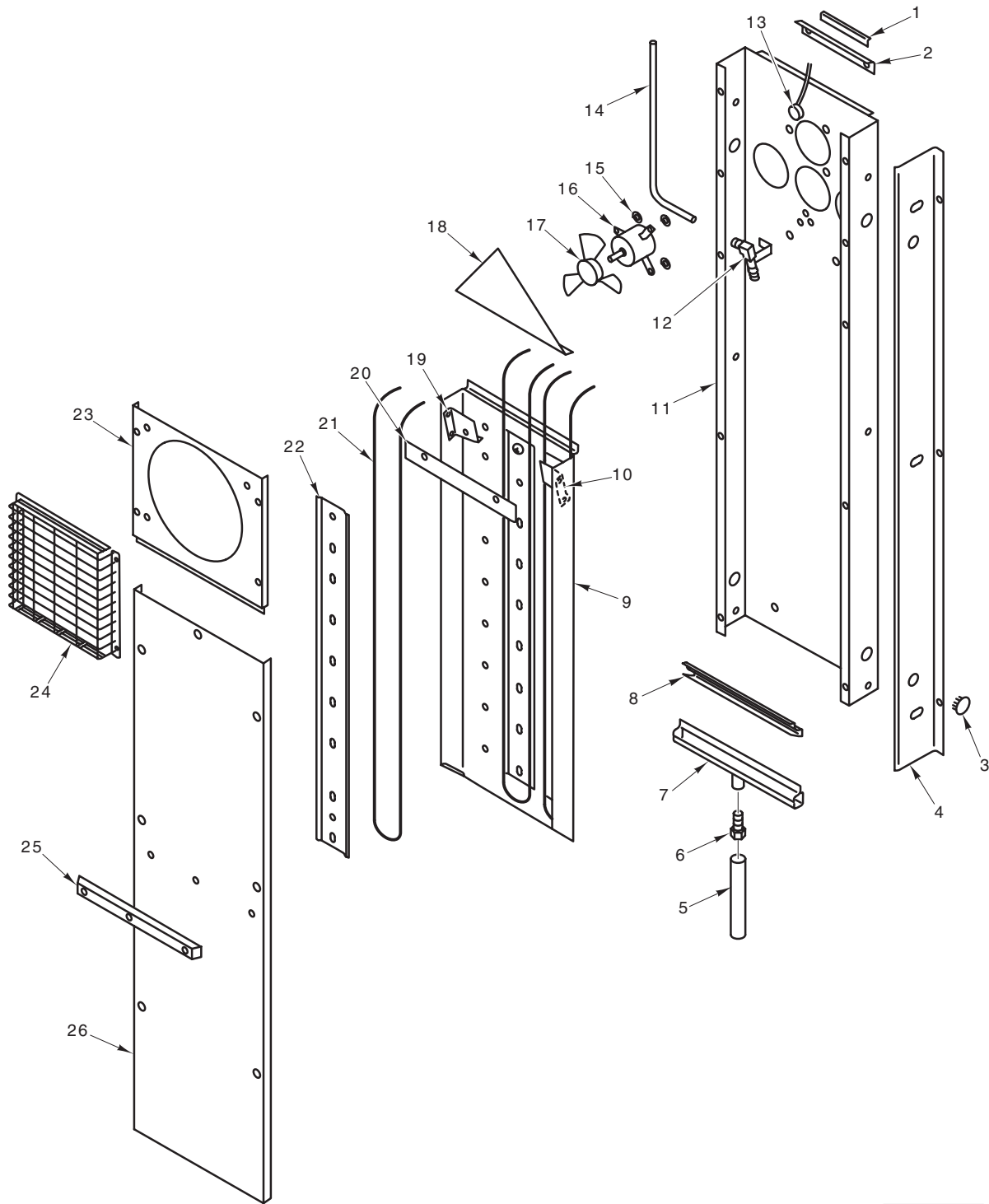
PL-56659

**FRONT TRIM AND BUMPER**



## FRONT TRIM AND BUMPER

ILLUS.	PART NO.	NAME OF PART	AMT.
	PL-56659		
1	01-1P1303-00001	Angle – End (Upper Forward Trim) .....	2
2	01-1P1821-00001	Trim – Upper (Single Wide) .....	1
3	01-1P1822-00001	Trim – Lower (Single Wide) .....	1
4	01-1P1821-00002	Trim – Upper (Double Wide) .....	1
5	01-1P1822-00002	Trim – Lower (Double Wide) .....	1
6	01-1P1821-00003	Trim – Upper (Triple Wide) .....	1
7	01-1P1822-00003	Trim – Lower (Triple Wide) .....	1
8	01-1P1821-00101	Trim – Upper Forward (Top) (Single Wide) .....	1
9	01-1P1821-00201	Trim – Upper Forward (Top) (Double Wide) .....	1
10	01-1P1821-00301	Trim – Upper Forward (Top) (Triple Wide) .....	1
11	01-1P1401-00001	Retainer – Upper Forward Trim (LH) (Single Wide) .....	1
12	01-1P1400-00001	Retainer – Upper Forward Trim (LH) (Double & Triple Wide) .....	1
13	01-1P1438-00001	Section – Hat, Wire Cover .....	1
14	01-1P1439-00001	Section – Hat, Wire Cover (28 In.) .....	AR
15	01-1P1439-00002	Section – Hat, Wire Cover (40 In.) .....	AR
16	01-1P1439-00003	Section – Hat, Wire Cover (50 In.) .....	AR
17	01-1P1439-00004	Section – Hat, Wire Cover (60 In.) .....	AR
18	01-1P1438-00002	Section – Hat, Wire Cover .....	1
19	01-1P1401-00002	Retainer – Upper Forward Trim (RH) (Single Wide) .....	1
20	01-1P1400-00002	Retainer – Upper Forward Trim (RH) (Double & Triple Wide) .....	1
21	01-1P1397-00001	Clamp – Upper Forward Trim .....	2
22	01-1P1330-06200	Bumper – Wall (62 In. Lg.) .....	AR
23	01-1P1437-00002	Deflector Assy. – Side (Single Wide) .....	1
24	01-1P1273-03206	Trim – Inner (Bottom) (32 In. Lg.) (Single Wide) .....	1
25	01-1P1273-07068	Trim – Inner (Bottom) (70.68 In. Lg.) (Double Wide) .....	1
26	01-1P1273-11068	Trim – Inner (Bottom) (110.68 In. Lg.) (Triple Wide) .....	1
27	01-1P1330-01700	Bumper – Wall (17 In. Lg.) .....	AR
28	01-1P1330-02200	Bumper – Wall (22 In. Lg.) .....	AR
29	01-1P1330-03200	Bumper – Wall (32 In. Lg.) .....	AR
30	01-1P1330-04200	Bumper – Wall (42 In. Lg.) .....	AR
31	01-1P1330-05200	Bumper – Wall (52 In. Lg.) .....	AR
32	01-1P1330-07200	Bumper – Wall (72 In. Lg.) .....	AR
33	01-1P1330-10200	Bumper – Wall (102 In. Lg.) .....	AR
34	01-1P1330-11200	Bumper – Wall (112 In. Lg.) .....	AR
35	01-1P1273-02512	Trim – Inner (Bottom) (25.12 In. Lg.) .....	2
36	01-1P1273-03512	Trim – Inner (Bottom) (35.12 In. Lg.) .....	2
37	01-1P1273-04512	Trim – Inner (Bottom) (45.12 In. Lg.) .....	2
38	01-1P1273-05512	Trim – Inner (Bottom) (55.12 In. Lg.) .....	2
39	01-1P1273-06512	Trim – Inner (Bottom) (65.12 In. Lg.) .....	2
40	01-1P1273-07512	Trim – Inner (Bottom) (75.12 In. Lg.) .....	2
41	01-1P1273-10512	Trim – Inner (Bottom) (105.12 In. Lg.) .....	2
42	01-1P1273-11512	Trim – Inner (Bottom) (115.12 In. Lg.) .....	2
43	01-1P1437-00001	Deflector Assy. – Side (Double & Triple Wide) .....	2
44	01-1000V4-00011	Thumb Screw – Shoulder 1/4-20 x 1/2 .....	2
45	01-1P1378-00002	Cover – Pest Control (Double Wide) .....	1
46	01-1P1378-00003	Cover – Pest Control (Triple Wide) .....	1
47	01-1P1373-01000	Cover – Drain (10 In.) .....	AR
48	01-1P1373-02200	Cover – Drain (22 In.) .....	AR
49	01-1P1373-04000	Cover – Drain (40 In.) .....	AR
50	01-1P1373-08000	Cover – Drain (80 In.) .....	AR
51	01-1000V4-00073	Anchor – Drop-In 1/4-20 .....	AR
52	01-1P1274-00001	Angle – Retainer .....	2
53	01-1P1822-00101	Trim – Upper Forward (Bottom) (Single Wide) .....	1
54	01-1P1822-00201	Trim – Upper Forward (Bottom) (Double Wide) .....	1
55	01-1P1822-00301	Trim – Upper Forward (Bottom) (Triple Wide) .....	1
56	01-1000V6-0035F	Switch – Toggle (10 Amp.) .....	2
57	01-100V16-531-2	Logo .....	1
58	01-1000V4-00019	Seal Boot – Toggle Switch .....	2

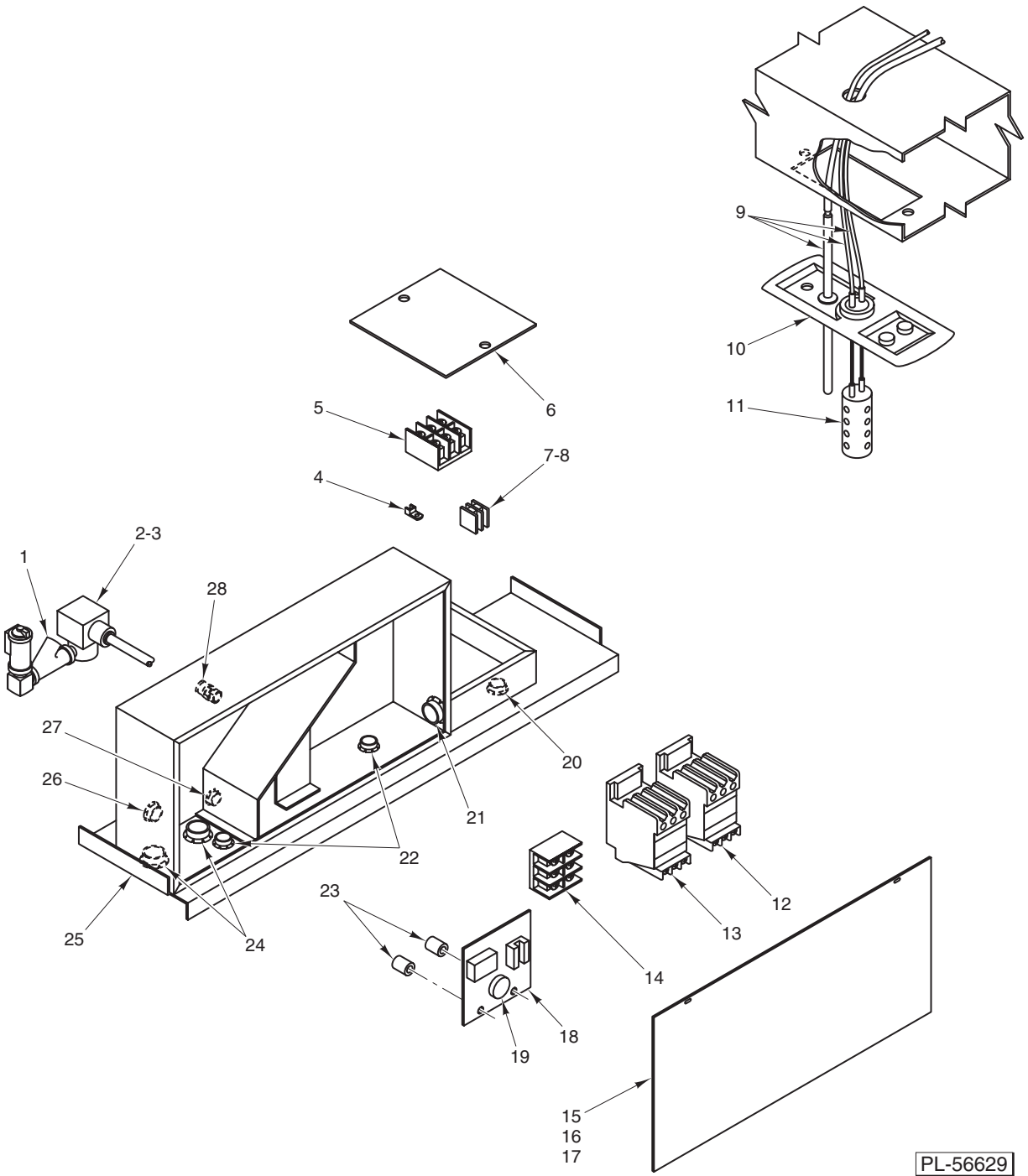


PL-56417

**AIR SUPPLY**

**AIR SUPPLY**

ILLUS.	PART NO.	NAME OF PART	AMT.
PL-56417			
1	01-1P1369-00001	Spacer – Mounting Bracket .....	1
2	01-1P1361-00001	Bracket – Mounting .....	1
3	01-100V15-00047	Plug – Plated .....	2
4	01-1P1360-00001	Side – Air Duct .....	1
5	01-100V17-00102	Tube – Soft Copper .....	AR
6	01-100V17-00326	Fitting – Compression (Brass) .....	2
7	01-1P1420-00001	Gutter – Drain Pan .....	1
8	01-1P1424-00001	Plate – Heater .....	1
9	01-1P1478-00001	Screen - Drain .....	1
10	01-1P1427-00001	Bracket – Deflector (RH) .....	1
11	01-1P1423-00001	Skin – Base Plate .....	1
12	01-1P1363-00001	Nozzle – Spray .....	1
13	01-1P1425-00101	Switch – Hi-Limit .....	1
14	01-1P1447-00102	Tube – Spray Nozzle .....	1
15	01-100V15-00057	Grommet – Rubber (Black) .....	3
16	01-1P1350-00101	Fan Assy. ....	1
17	01-100V8-00061	Blade – Fan .....	1
18	01-1P1428-00001	Deflector .....	1
19	01-1P1427-00002	Bracket – Deflector (LH) .....	1
20	01-1P1428-00002	Deflector .....	1
21	01-100V10-00123	Element – Heating (240 V., 2200 W.) .....	3
22	01-1P1195-00001	Clamp – Element .....	3
23	01-1P1359-00001	Cover – Upper .....	1
24	01-100V16-00293	Guard – Fan .....	1
25	01-1P1330-01700	Bumper – Lower Cover .....	1
26	01-1P1187-00001	Skin – Lower Cover .....	1
	01-1P1421-00002	Plumbing – Air Duct (Single Wide) .....	1
	01-1P1421-00001	Plumbing – Air Duct (Double & Triple Wide) .....	1
	01-1P1426-00001	Air Duct Package .....	1

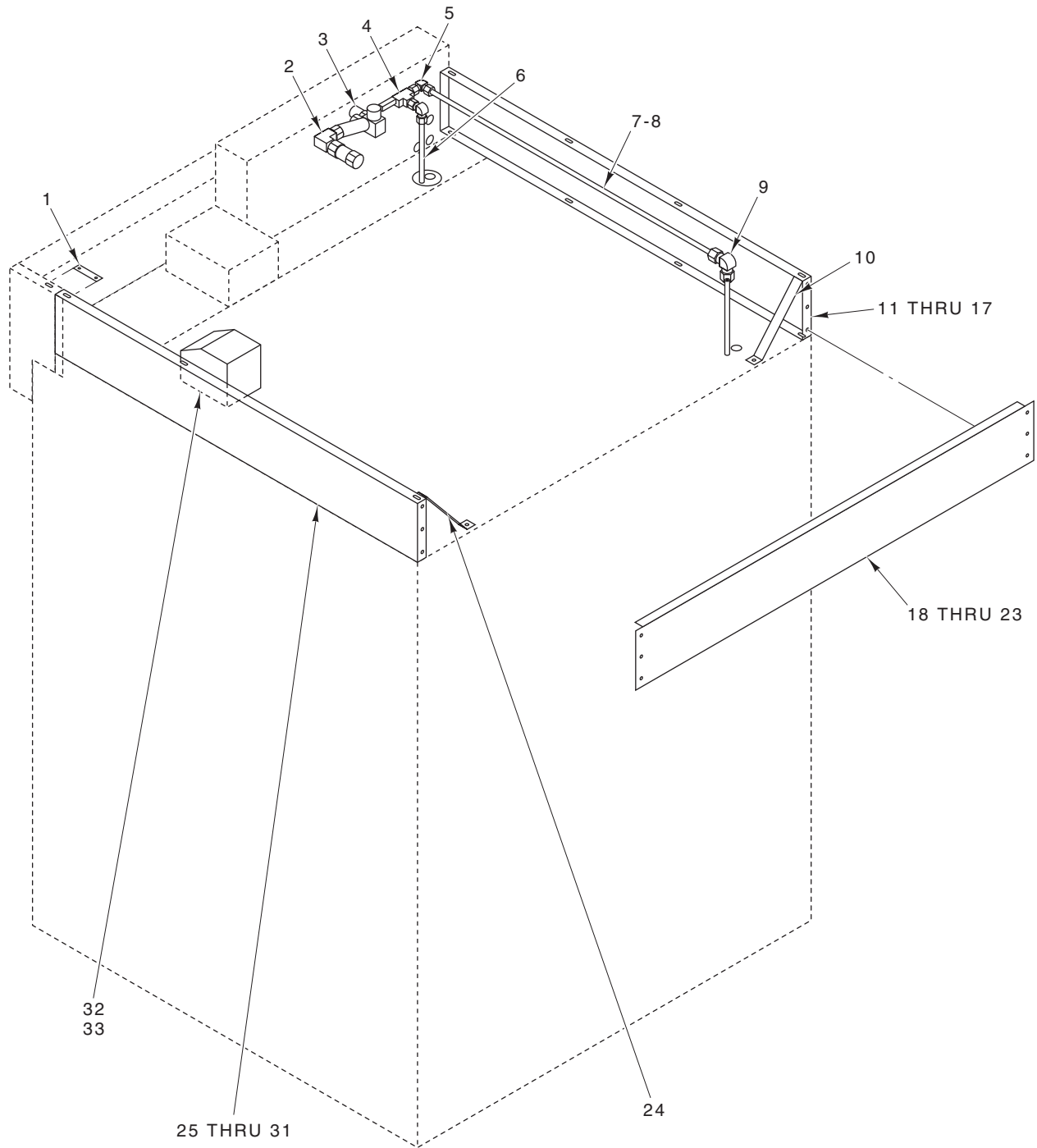


PL-56629

**CONTROL/SERVICE ENTRANCE,  
THERMISTOR, AND HUMIDITY SENSOR**

**CONTROL/SERVICE ENTRANCE,  
THERMISTOR, AND HUMIDITY SENSOR**

ILLUS. PL-56629	PART NO.	NAME OF PART	AMT.
1	01-1P1374-00101	Solenoid Assy. ....	1
2	01-100V17-00075	Valve – Solenoid (2 Way, 120 V.) (Proofer) .....	1
3	01-100V24-00006	Valve – Solenoid (Retarder/Proofer) .....	1
4	01-1000V5-00037	Lug – Grounding .....	1
5	01-1000V5-00098	Block – Power Distribution .....	1
6	01-1P1457-00001	Cover – Service Entrance .....	1
7	01-1000V5-00105	Terminal Block (Section) .....	2
8	01-1000V5-00106	Terminal Block (End) .....	1
9	01-1P1408-00001	Harness – Thermistor (Proofer) .....	1
10	01-1P1331-00001	Sensor Plate Assy. (Proofer) .....	1
11	01-1P1483-00001	Sensor – Humidity, Kit (Proofer) .....	1
12	01-1000V6-00185	Contactactor (3 Pole) .....	1
13	01-1000V6-00185	Contactactor (3 Pole) .....	1
14	01-1000V5-00096	Block – Power Distribution .....	1
15	01-1P1442-00001	Cover Assy. (120/50/60/1, 208-240/50/60/1) .....	1
16	01-1P1442-00002	Cover Assy. (120/50/60/1/3, 380-440/50/60/3) .....	1
17	01-1P1442-00003	Cover Assy. (208-240/50/60/1, 380-440/440-480/50/60/3) .....	1
18	01-1P1214-00003	Board – PC Power Supply Assy. ....	1
19	01-1P1749-00001	Beeper Assy. ....	1
20	01-1000V5-00035	Bushing – 1 In. ....	AR
21	01-1000V5-00073	Bushing – Snap 1½ In. ....	1
22	01-1000V5-00035	Bushing – Snap 1 In. ....	AR
23	01-1000V5-00016	Spacer (Nylon) .....	4
24	01-1000V5-00073	Bushing – Snap 1½ In. ....	2
25	01-1P1448-00001	Box – Control, Weldment .....	1
26	01-1000V5-00035	Bushing – Snap 1 In. ....	AR
27	01-1000V5-00059	Bushing – Snap 7/8 .....	1
28	01-100V11-00102	Nipple – Chase .....	1
	01-1P1446-00001	Harness Assy. ....	1

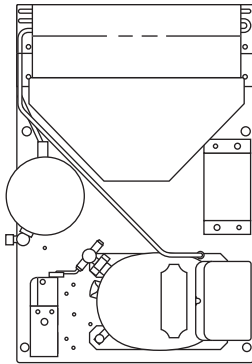


PL-56656

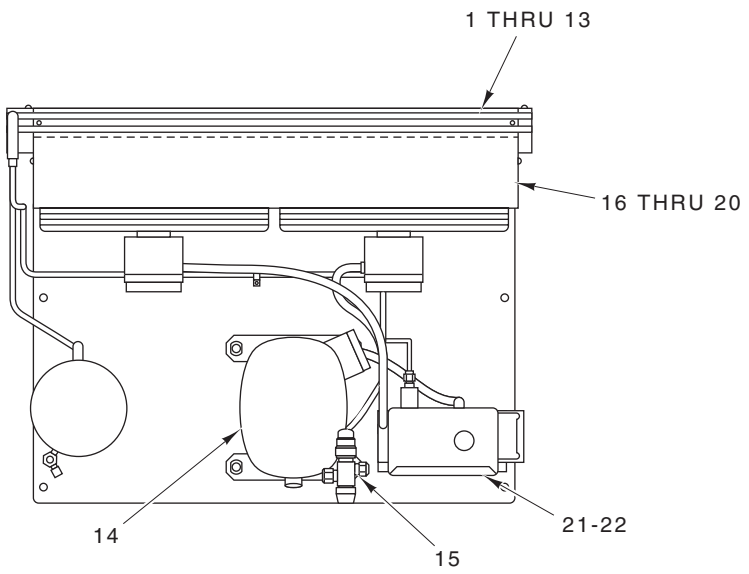
**WATER SUPPLY AND UPPER TRIM**

## WATER SUPPLY AND UPPER TRIM

ILLUS.	PART NO.	NAME OF PART	AMT.
	PL-56656		
1	01-1P1388-00001	Strap – Retainer .....	AR
2	01-1P1374-00101	Solenoid Assy. ....	1
3	01-100V17-00075	Valve – Solenoid (2 Way, 120 V.) .....	1
4	01-1P1447-00101	Connector – Plumbing .....	1
5	01-100V17-00339	Elb 90 Deg. (Brass) .....	1
6	01-1P1447-00102	Tube – Spray Nozzle .....	1
7	01-1P1447-00001	Plumbing Package (Single Wide) .....	1
8	01-1P1447-00002	Plumbing Package (Double and Triple Wide) .....	1
9	01-100V17-00396	Elbow – Union (Brass) .....	1
10	01-1P1460-00001	Support – Upper Trim .....	AR
11	01-1P1386-00002	Trim – Upper Side (26.50 In.) .....	1
12	01-1P1386-00003	Trim – Upper Side (38.38 In.) .....	1
13	01-1P1386-00004	Trim – Upper Side (48.38 In.) .....	1
14	01-1P1386-00005	Trim – Upper Side (58.38 In.) .....	1
15	01-1P1386-00006	Trim – Upper Side (68.38 In.) .....	1
16	01-1P1386-00007	Trim – Upper Side (78.38 In.) .....	1
17	01-1P1386-00011	Trim – Upper Side (118.38 In.) .....	1
18	01-1P1385-00001	Trim – Upper Rear (Single Wide) .....	1
19	01-1P1385-00002	Trim – Upper Rear (Double Wide) .....	1
20	01-1P1385-00003	Trim – Upper Rear (Triple Wide) .....	1
21	01-1P1452-00001	Trim – Upper Rear (Single Wide) .....	1
22	01-1P1452-00002	Trim – Upper Rear (Double Wide) .....	1
23	01-1P1452-00003	Trim – Upper Rear (Triple Wide) .....	1
24	01-1P1460-00001	Support – Upper Trim .....	AR
25	01-1P1450-00028	Trim – Upper Side (26.50 In.) .....	1
26	01-1P1450-00038	Trim – Upper Side (38.38 In.) .....	1
27	01-1P1450-00048	Trim – Upper Side (48.38 In.) .....	1
28	01-1P1450-00058	Trim – Upper Side (58.38 In.) .....	1
29	01-1P1450-00068	Trim – Upper Side (68.38 In.) .....	1
30	01-1P1450-00078	Trim – Upper Side (78.38 In.) .....	1
31	01-1P1450-00118	Trim – Upper Side (118.38 In.) .....	1
32	01-1P1379-00001	Transformer (0.5 kVA) (ML-132156 thru ML-132167 & ML-132170 thru ML-132174) .....	1
33	01-1P1379-00002	Transformer (1.0 kVA) (ML-132168, ML-132169, ML-132175, & ML-132176) .....	1
	01-100V10-00129	Holder – Fuse .....	2
	01-100V10-00130	Fuse (15 Amp.) .....	2



**SINGLE FAN UNIT**



**TWO FAN UNIT**

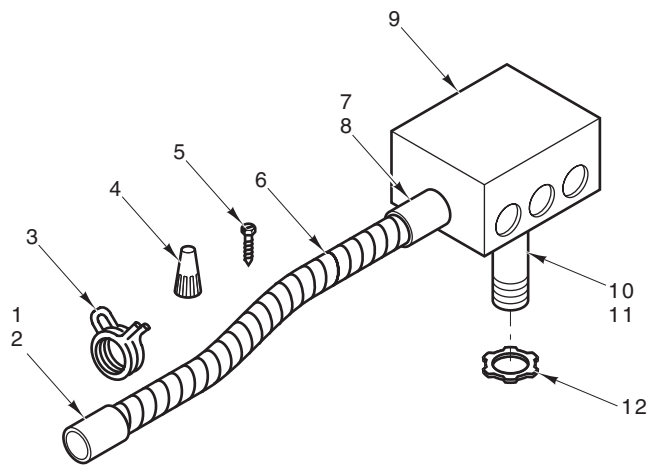
PL-57017

**CONDENSER  
(R22)  
(RETARDER/PROOFER)**



**CONDENSER  
(R22)  
(RETARDER/PROOFER)**

ILLUS. PL-57017	PART NO.	NAME OF PART	AMT.
1	01-100V24-0034B	Condenser (24600 BTU) (208-240/60/3) .....	1
2	01-100V24-0034A	Condenser (24600 BTU) (208-240/60/1) .....	1
3	01-100V24-0033C	Condenser (16200 BTU) (440-480/60/3) .....	1
4	01-100V24-0033D	Condenser (16200 BTU) (208-240/60/3) .....	1
5	01-100V24-0033A	Condenser (16200 BTU) (208-240/60/1) .....	1
6	01-100V24-0032C	Condenser (12100 BTU) (440-480/60/3) .....	1
7	01-100V24-0032B	Condenser (12100 BTU) (208-240/60/3) .....	1
8	01-100V24-0032A	Condenser (12100 BTU) (208-230/60/1) .....	1
9	01-100V24-0031E	Condenser (8580 BTU) (460/60/3) .....	1
10	01-100V24-0031D	Condenser (8580 BTU) (208-230/60/3) .....	1
11	01-100V24-0031A	Condenser (8580 BTU) (208-230/60/1) .....	1
12	01-100V24-0030C	Condenser (6250 BTU) (208-230/60/1) .....	1
13	01-100V24-0030A	Condenser (6250 BTU) (115/60/1) .....	1
14	01-100V24-00005	Drier – Filter .....	1
15	01-100V24-00004	Indicator – Moisture and Liquid .....	1
16	01-100V24-00036	Evaporator (ML-132209 thru ML-132215, ML-132224, & ML-132225) .....	AR
17	01-100V24-0012A	Evaporator (Elec. Codes JB, JD, & JG) (ML-132230) .....	AR
18	01-100V24-0012B	Evaporator (Elec. Codes JC, JE, & JF) (ML-132230) .....	AR
19	01-100V24-0027A	Evaporator (Elec. Codes JB, JD, & JG) (ML-132226 thru ML-132229) .....	AR
20	01-100V24-0027B	Evaporator (Elec. Codes JC, JE, & JF) (ML-132226 thru ML-132229) .....	AR
21	01-1P1379-00003	Transformer (ML-132209 thru ML-132214 & ML-132224 thru ML-132228) .....	1
22	01-1P1379-00004	Transformer (ML-132215, ML-132229, & ML-132230) .....	1
	01-100V24-00007	Valve – Expansion (ML-132226 thru ML-132230) .....	1
	01-100V24-00017	Valve – Expansion (ML-132209 thru ML-132215, ML-132224, & ML-132225) .....	1
	01-100V24-00018	Valve – Expansion (ML-132209 thru ML-132215 & ML-132224 thru ML-132229) .....	1
	01-100V24-00020	Valve – Expansion (ML-132209 thru ML-132215, ML-132224, & ML-132225) .....	1
	01-100V24-00021	Valve – Expansion (ML-132226 thru ML-132229) .....	1
	01-100V24-00023	Valve – Expansion (ML-132230) .....	1
	01-1P2046-00001	Evaporator Drain Package (Single Evaporator) .....	1
	01-1P2046-00002	Evaporator Drain Package (Dual Evaporator) .....	1



PL-57016

**REFRIGERATION FLEX CONDUIT  
(RETARDER/PROOFER)**

**REFRIGERATION FLEX CONDUIT  
(RETARDER/PROOFER)**

ILLUS.	PART NO.	NAME OF PART	AMT.
PL-57016			
1	01-100V11-00076	Bushing, Anti-Short (Plastic) .....	1
2	01-100V11-0030B	Connector – Conduit 3/8 In. Straight .....	1
3	01-100V11-00141	Clamp – Conduit .....	AR
4	01-1000V5-00015	Nut – Wire (Orange) .....	2
5	01-1000V4-00009	Screw – Sheet Metal, Hex Hd. ....	AR
6	01-100V11-0034A	Conduit – Flex-Steel 3/8 In. Dia. ....	AR
7	01-100V11-00076	Bushing, Anti-Short (Plastic) .....	1
8	01-100V11-0030B	Connector – Conduit 3/8 In. Straight .....	1
9	01-100V11-0024A	Box, J 2 x 4 x 2 (With Cover) .....	2
10	01-100V11-00169	Bushing (Steel) .....	1
11	01-10A981-00350	Nipple 1/2 NPT, 3.5 In. Lg. ....	1
12	01-100V11-0033A	Locknut – Conduit 1/2 In. ....	2
	01-1P1327-04800	Conduit – Flex (Incls. Items 1 thru 12) (ML-132209 thru ML-132215, ML-132224 thru ML-132227, & ML-132230) .....	1
	01-1P1327-08400	Conduit – Flex (Incls. Items 1 thru 12) (ML-132228 & ML-132229) .....	1
	01-1P1327-09600	Conduit – Flex (Incls. Items 1 thru 8) (ML-132210 thru ML-132214 & ML-132224 thru ML-132227) .....	1
	01-1P1327-14400	Conduit – Flex (Incls. Items 1 thru 8) (ML-132230) .....	1

