

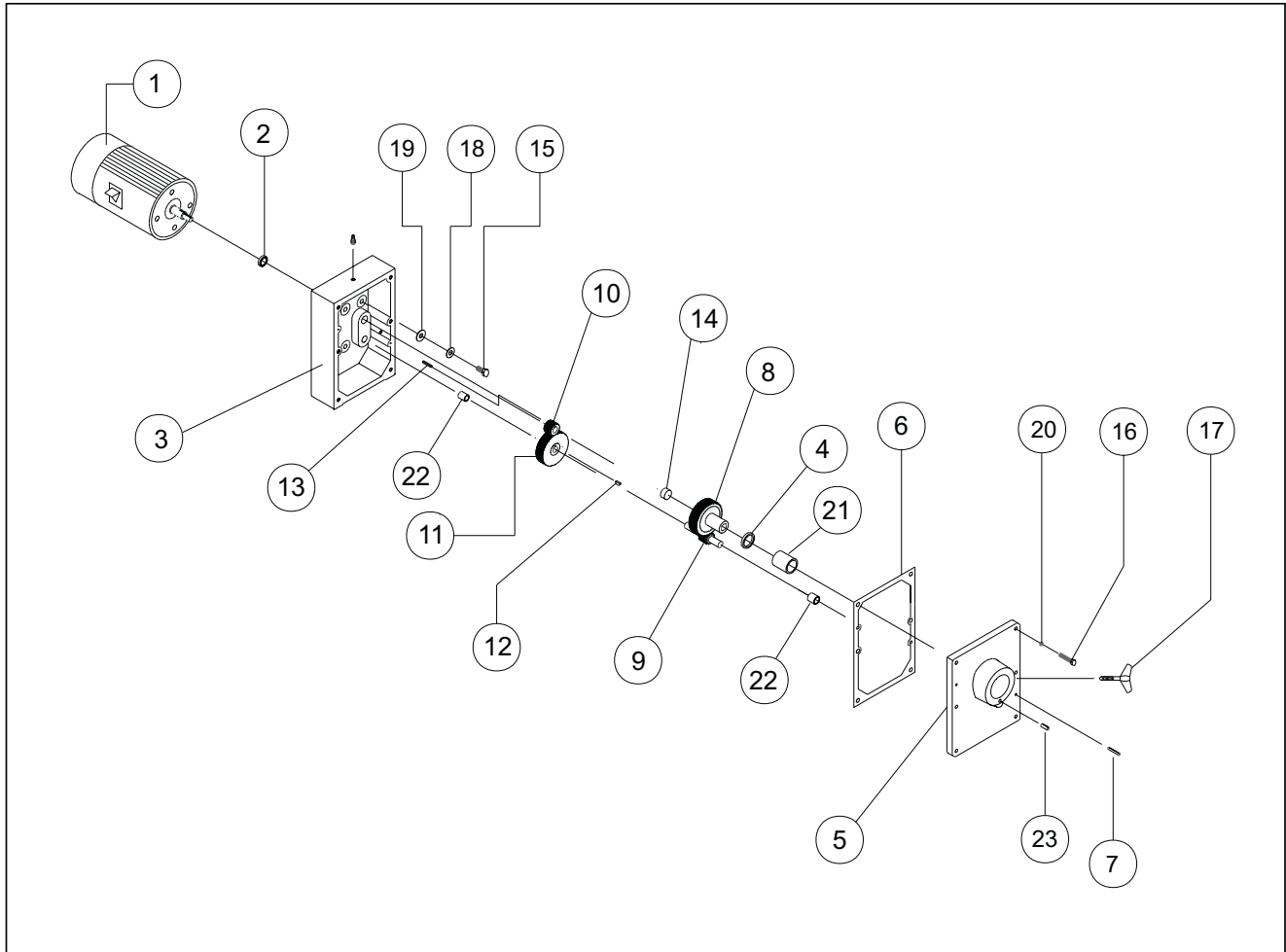
ITEM	DESCRIPTION	CODE	QTY.	R.S./100
1	5 H.P. THREE PHASE MOTOR	05-00648	1	2
2	SEAL # 11081	05-00187	1	4
3	GEAR BOX KIT	05-71911	1	2
4	SEAL # 13547	05-01141	1	2
5	GEAR COVER KIT	05-71912	1	2
6	GASKET	05-00147	1	4
7	1/4"x 1 3/4" S.S. PIN	05-00383	2	2
8	SQUARE GEAR	05-71913	1	2
9	DOUBLE ROD GEAR KIT	05-70222	1	2
10	GEAR (PINION)	05-70223	1	2
11	GEAR (FLAT)	05-70224	1	2
12	WOODRUFF KEY #906-6	05-00297	1	2
13	KEY 3/16"x 3/16"x 1 3/8"	05-00397	1	2
14	GEAR (SQUARE) CAP	05-00329	1	2
15	BOLT HEX. HEAD 1/2"x 1 1/4"	05-00621	4	2
16	BOLT HEX. HEAD 3/8"x 2"	05-00225	6	2
17	HEADSTOCK KNOB	05-70526	1	2
18	FLAT WASHER 1/2"	05-00259	4	2
19	FLAT WASHER 1/2" (GARLOCK)	05-70539	4	2
20	LOCK WASHER 3/8"	05-00256	6	2
21	BRONZE BUSHING	05-70396	1	2
22	BRONZE BUSHING	05-70394	2	2
23	3/8"x 1" S.S. PIN	05-01145	1	2
	GEAR KIT, INCLUDES ITEMS 8 THROUGH 13.	05-71045	1	1

R.S.= REQUIREMENT STOCK

LINE: MEAT GRINDER
 MODEL: M-32 5HP 3PH



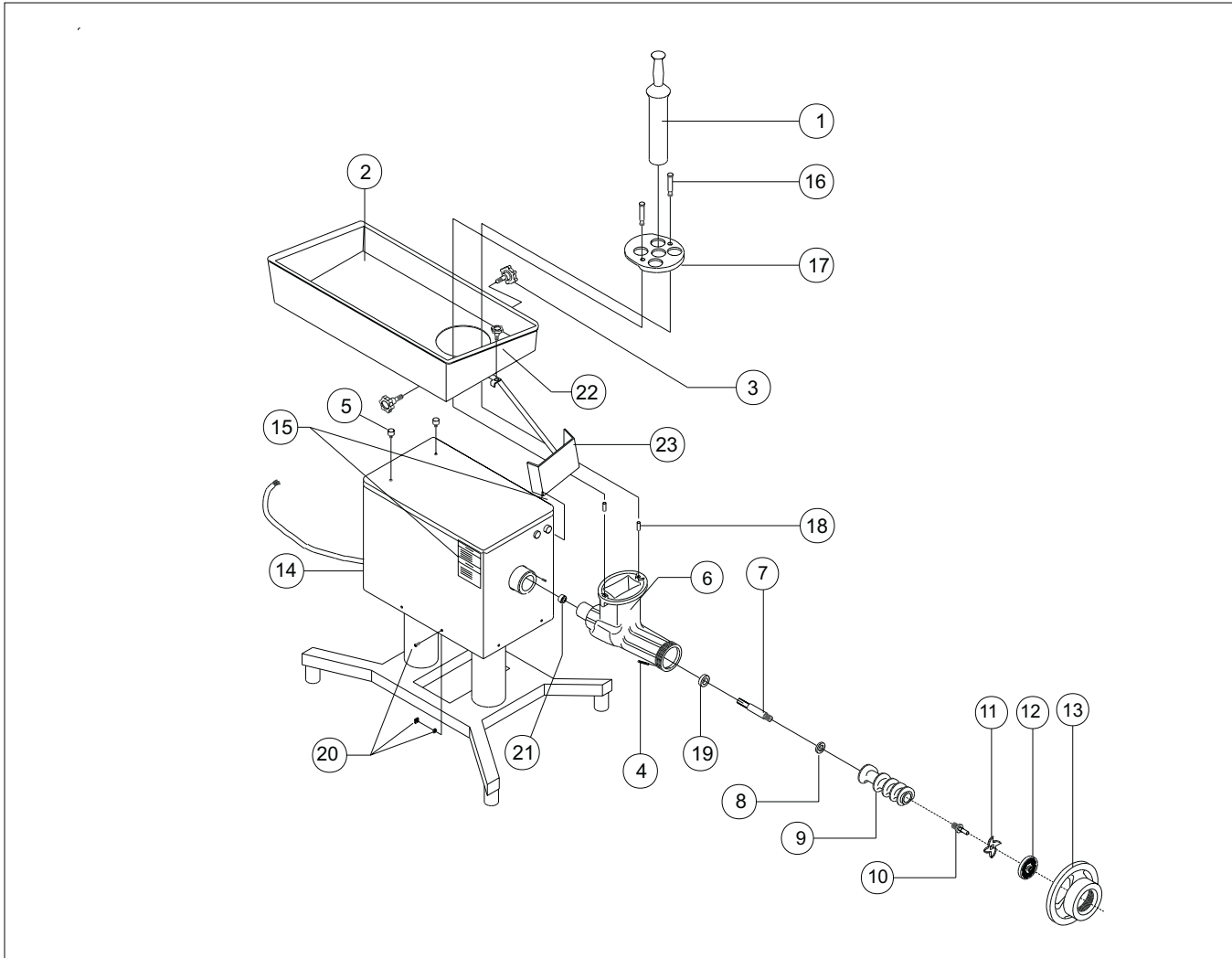
* STARTING FROM SERIAL NUMBER: 210



ITEM	DESCRIPTION	CODE	QTY.	R.S./100
1	5 H.P. THREE PHASE MOTOR	05-00648	1	2
2	SEAL # 11081	05-00187	1	4
3	GEAR BOX KIT	05-71911	1	2
4	SEAL # 13547	05-01141	1	2
5	GEAR COVER KIT	05-71912	1	2
6	GASKET	05-00147	1	4
* 7	1/4"x 1 3/4" S.S. PIN	05-00890	2	2
8	SQUARE GEAR	05-71913	1	2
9	DOUBLE ROD GEAR KIT	05-70222	1	2
10	GEAR (PINION)	05-70223	1	2
11	GEAR (FLAT)	05-70224	1	2
12	WOODRUFF KEY #906-6	05-00297	1	2
13	KEY 3/16"x 3/16"x 1 3/8"	05-00397	1	2
14	GEAR (SQUARE) CAP	05-00329	1	2
15	BOLT HEX. HEAD 1/2"x 1 1/4"	05-00621	4	2
16	BOLT HEX. HEAD 3/8"x 2"	05-00225	6	2
17	HEADSTOCK KNOB	05-70526	1	2
18	FLAT WASHER 1/2"	05-00259	4	2
19	FLAT WASHER 1/2" (GARLOCK)	05-70539	4	2
20	LOCK WASHER 3/8"	05-00256	6	2
21	BRONZE BUSHING	05-70396	1	2
22	BRONZE BUSHING	05-70394	2	2
23	3/8"x 1" S.S. PIN	05-01145	1	2
GEAR KIT, INCLUDES ITEMS 8 THROUGH 13.		05-71045	1	1
R.S.= REQUIREMENT STOCK				

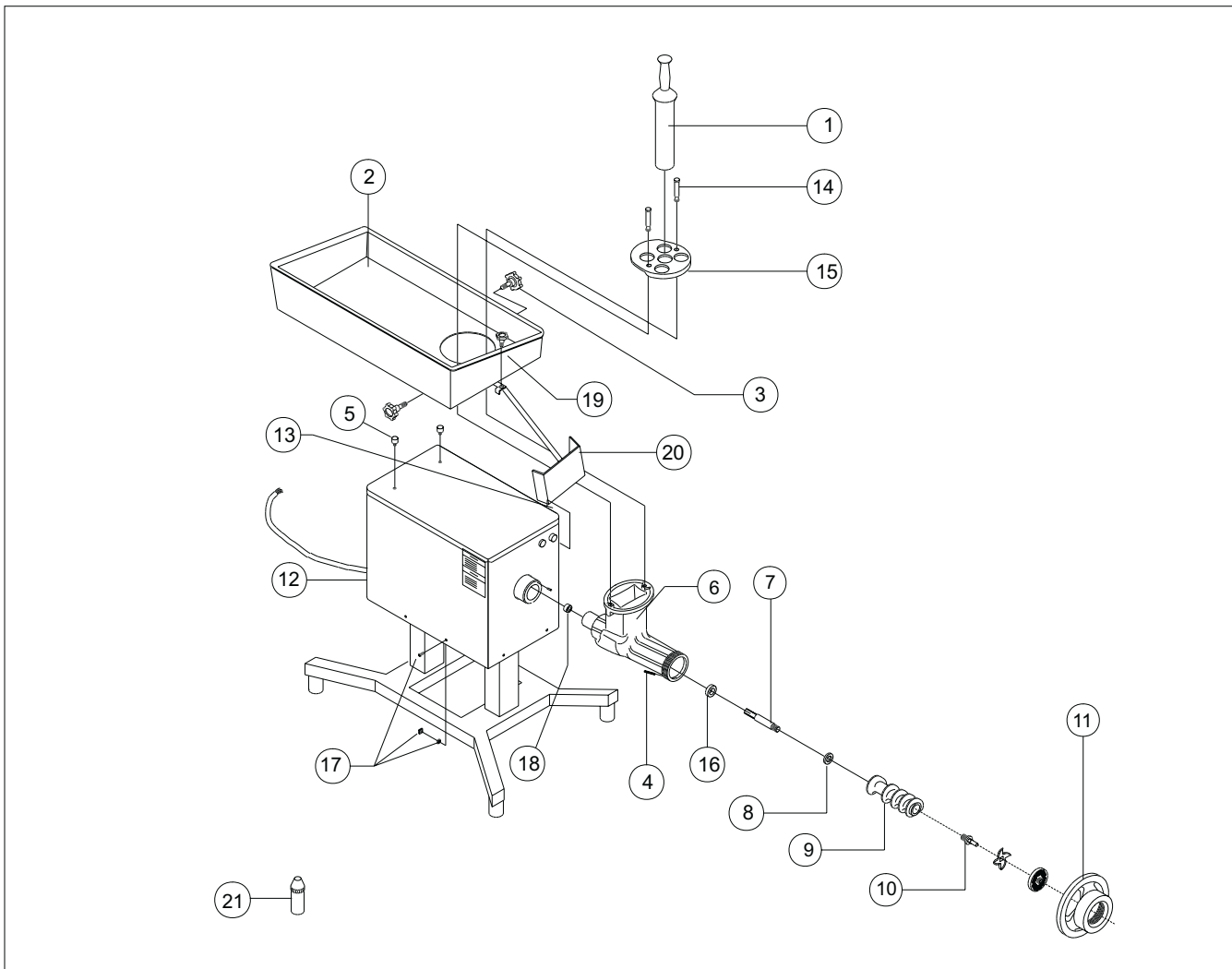


** STARTING FROM SERIAL NUMBER: 101
 *** STARTING FROM SERIAL NUMBER: 182



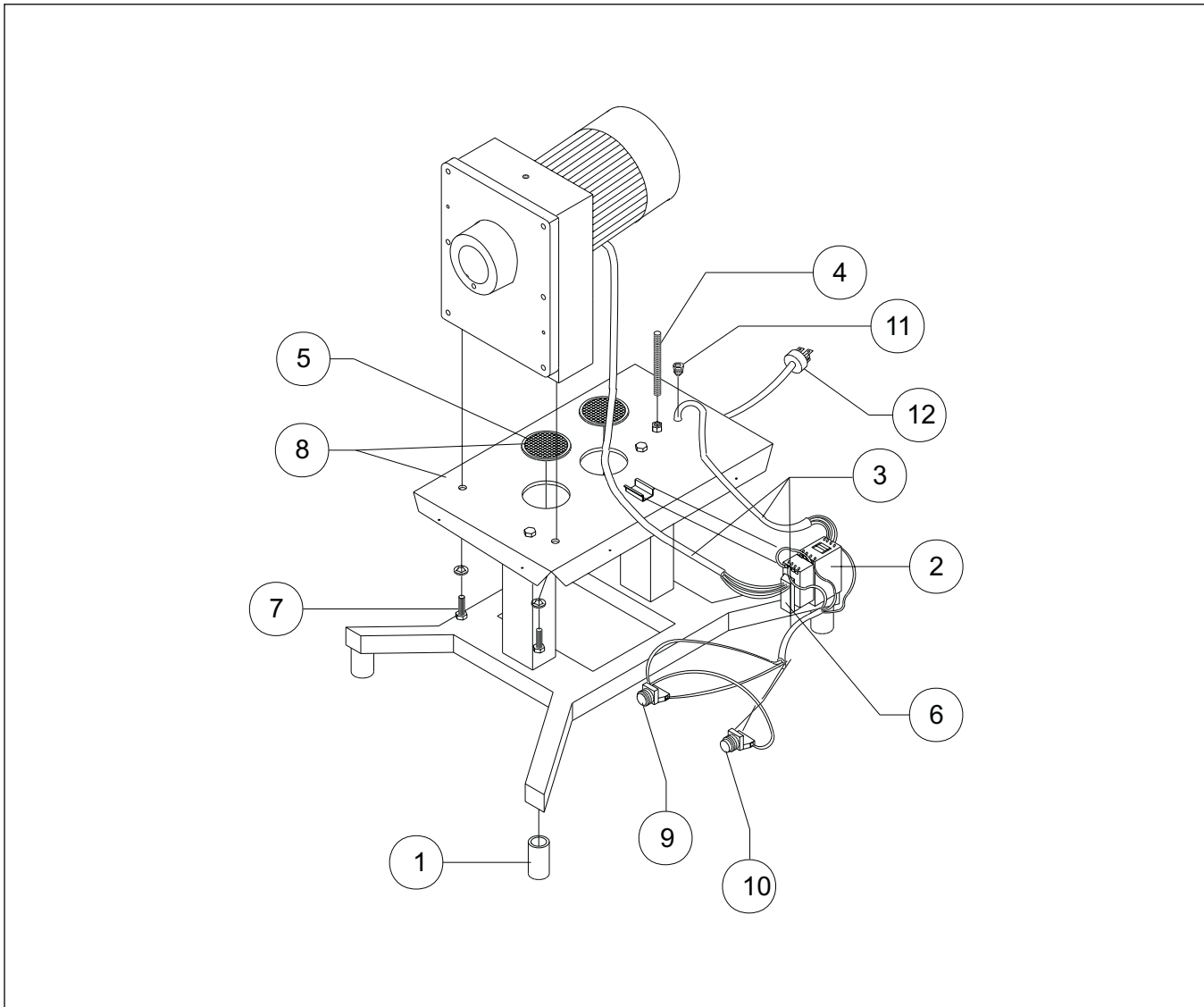
ITEM	DESCRIPTION	CODE	QTY.	R.S./100
1	STOMPER	05-00313	1	10
** 2	TRAY S.S. M32-5HP	05-72667	1	2
3	KNOB	05-02270	2	2
4	PIN 1/4"x 1 1/2" S.S.	05-70229	1	20
5	BUMPER (RUBBER)	05-30335	2	4
** 6	HEADSTOCK-STRAIGHT, BUSHING, PIN AND BRONZE WASHER	05-72566	1	2
7	REAR ROD	05-02170	1	2
8	NYLON ZYTEL WASHER	05-02271	1	100
** 9	FEED SCREW (WORM) STRAIGHT	05-72558	1	2
10	FRONT ROD	05-00004	1	10
11	BLADE S.S. (L.L.)	03-32232	1	40
12	PLATE 3/16" HUB D-2	03-41323	1	20
13	HEADSTOCK RING	05-70386	1	2
14	CASE AND THERMIC-ISOLATING ASSY.	05-71312	1	2
15	WARNING DECAL	05-01259	2	2
** 16	PIN FOR SAFETY GUARD (S.S.)	05-72689	2	2
** 17	SAFETY GUARD (FOR HEADSTOCK-STRAIGHT)	05-72581	1	2
** 18	SAFETY GUARD SLEEVE S.S.	05-70273	2	2
19	BRONZE WASHER	05-70391	1	2
20	SCREW, NUT, AND WASHER 3/16"	05-72224	8	8
** 21	BRONZE BUSHING (FOR HEADSTOCK STRAIGHT)	05-72574	1	2
** 22	KNOB (FOR SIDING)	05-72573	1	2
** 23	SIDING ASSY. S.S.	05-72577	1	2
**	HEADSTOCK-STRAIGHT KIT, INCLUDES ITEMS 6, 16, 17 Y 18	05-72588	1	2
**	FEED SCREW (WORM) STRAIGHT KIT INCLUDES ITEMS 7 THROUGH 10.	05-72560	1	4

R.S.= REQUIREMENT STOCK

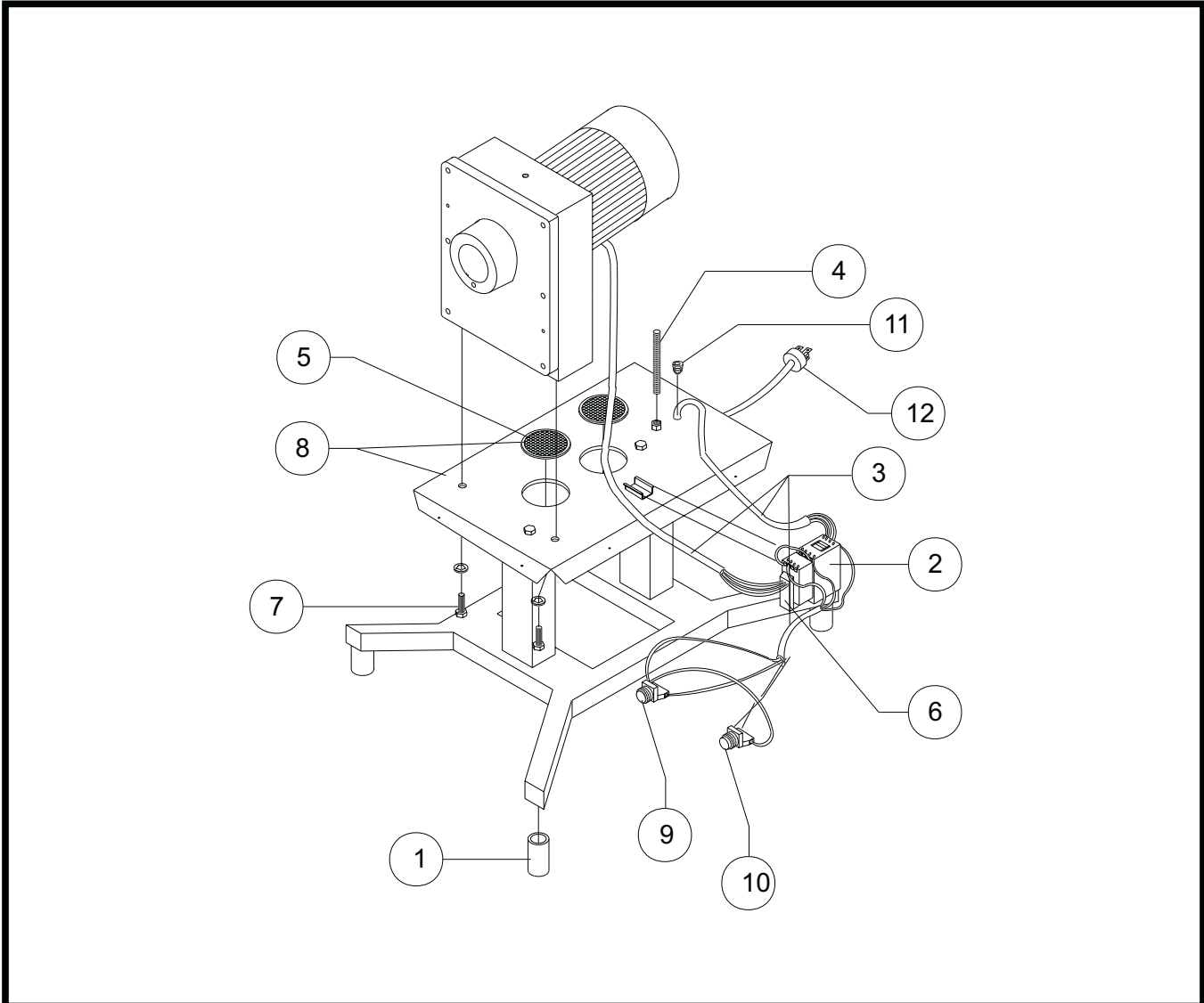


ITEM	DESCRIPTION	CODE	QTY.	R.S./100
1	STOMPER (SOLID)	05-01607	1	10
2	TRAY S.S. M32-5HP	05-74310	1	2
3	KNOB	05-02270	2	2
4	PIN 1/4"x 1 1/2" S.S.	05-72998	1	20
5	BUMPER (RUBBER)	05-30335	2	4
6	HEADSTOCK-STRAIGHT, BUSHING, PIN AND BRONZE WASHER	05-72566	1	2
7	REAR ROD	05-03121	1	2
8	NYLON ZYTEL WASHER	05-01451	1	100
9	FEED SCREW (WORM) STRAIGHT	05-72560	1	2
10	FRONT ROD	05-03120	1	10
11	HEADSTOCK RING	05-70386	1	2
12	CASE AND THERMIC-ISOLATING ASSY.	05-71312	1	2
13	WARNING DECAL	05-01259	2	2
14	PIN SREW FOR SAFETY GUARD (S.S.)	05-72999	2	2
15	SAFETY GUARD (FOR HEADSTOCK-STRAIGHT)	05-72581	1	2
16	BRONZE WASHER	05-70391	1	2
17	SCREW, NUT, AND WASHER 3/16"	05-72224	8	8
18	BRONZE BUSHING (FOR HEADSTOCK STRAIGH)	05-72574	1	2
19	KNOB (FOR SIDING)	05-32573	1	2
20	SIDING ASSY. S.S.	05-72577	1	2
21	GREASE FDA APPROVED	05-01572	1	2
HEADSTOCK-STRAIGHT KIT, INCLUDES ITEMS 6, 14, AND 15		05-72588	1	2
FEED SCREW (WORM) STRAIGH KIT INCLUDES ITEMS 7 THROUGH 10.		05-72560	1	4

* STARTING FROM SERIAL NUMBER: 441
 R.S.= REQUIREMENT STOCK



ITEM	DESCRIPTION	CODE	QTY.	R.S./100
1	ALUMINIUM LEG	05-73206	1	2
2	CONTACTOR B16, 220V.	05-00732	1	2
3	POWER CORD 12AWG UL KIT	05-72818	1	2
4	MOTOR SUPPORT SCREW	05-71154	1	2
5	BASE LID	05-00325	2	2
6	THERMAL RELAY T25, 13-19A	05-01439	1	2
7	BOLT HEX. HEAD 1/2"x 1 1/4" AND WASHER	05-71914	2	2
8	BASE SUPPORT AND BASE LID ASSY.	05-72712	1	2
9	ON BUTTON (GREEN)	05-00722	1	2
10	OFF BUTTON (RED)	05-00393	1	2
11	GROMMET 8L-1	05-01367	1	2
12	PLUG 3PH L15-20P	05-01491	1	2
	SWITCH KIT, INCLUDES ITEMS 2, 6, 9 AND 10.	05-72710	1	2
	USE TRANSMISSION OIL SAE #140 1.75 LTS.			
	R.S.= REQUIREMENT STOCK			

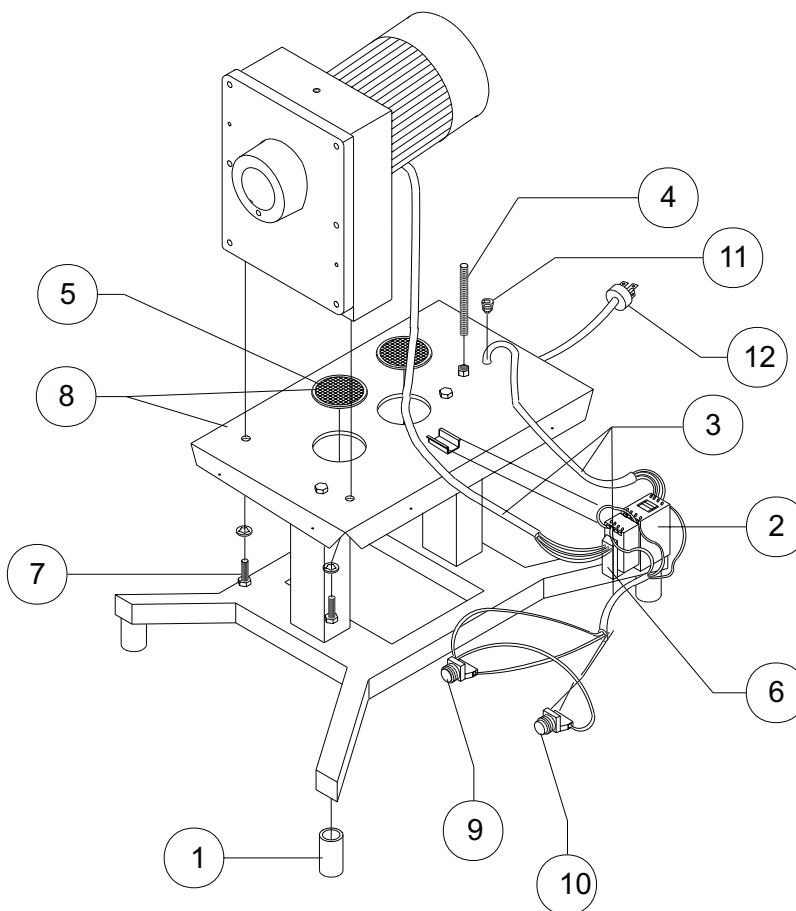


ITEM	DESCRIPTION	CODE	QTY.	R.S./100
1	S.S. LEG (MOVE)	05-73208	1	2
2	CONTACTOR B16, 220V.	05-02248	1	2
3	POWER CORD 12AWG UL KIT	05-01194	1	2
4	MOTOR SUPPORT SCREW	05-71154	1	2
5	BASE LID	05-03117	2	2
6	THERMAL RELAY T25, 13-19A	05-02259	1	2
7	BOLT HEX. HEAD 1/2"x 1 1/4" AND WASHER	05-71914	2	2
8	BASE SUPPORT AND BASE LID ASSY.	05-72712	1	2
9	ON BUTTON (GREEN)	05-02264	1	2
10	OFF BUTTON (RED)	05-02263	1	2
11	GROMMET 8L-1	05-01367	1	2
12	PLUG 3PH L15-20P	05-01491	1	2
	SWITCH KIT, INCLUDES ITEMS 2, 6, 9 AND 10.	05-72710	1	2
	USE TRANSMISSION OIL SAE #140 1.75 LTS.			
	R.S.= REQUIREMENT STOCK			



* STARTING FROM SERIAL # 1192

®



ITEM	DESCRIPTION	CODE	QTY.	R.S./100
1	S.S. LEG (MOVE)	05-73208	1	2
	CONTACTOR S+S CA3-16-10 220V.	05-02253	1	2
* 2	CONTACTOR S+S CA3-9-10 440V.	05-02254	1	2
* 2	CONTACTOR LOVATO BF 1610-220; ABB B16 220V	05-00732	1	2
2	CONTACTOR LOVATO BF9-10-440 ; ABB B9 440V	05-01440	1	2
3	POWER CORD 12AWG UL KIT	05-72818	1	2
4	MOTOR SUPPORT SCREW	05-71154	1	2
5	BASE LID	05-00325	2	2
* 6	THERMAL RELAY S+S CT3-17.5 12-17.5A 220V	05-02258	1	2
* 6	THERMAL RELAY S+S CT3-9.5 6-9.5A 440V	05-02256	1	2
6	RELEY LOVATO RFA14-23 ; ABB T25 13-19A 220V	05-01439	1	2
6	RELEY LOVATO 11RFA25.15 ; ABB T25 6-8.5A 440V	05-01443	1	2
7	BOLT HEX. HEAD 1/2"x 1 1/4" AND WASHER	05-71914	2	2
8	BASE SUPPORT AND BASE LID ASSY.	05-72712	1	2
* 9	ON BUTTON BRETER (GREEN)	05-02264	1	2
* 10	OFF BUTTON BRETER (RED)	05-02263	1	2
11	GROMMET 8L-1	05-01367	1	2
12	PLUG 3PH L15-20P	05-01491	1	2

SWITCH KIT, INCLUDES ITEMS 2, 6, 9 AND 10.

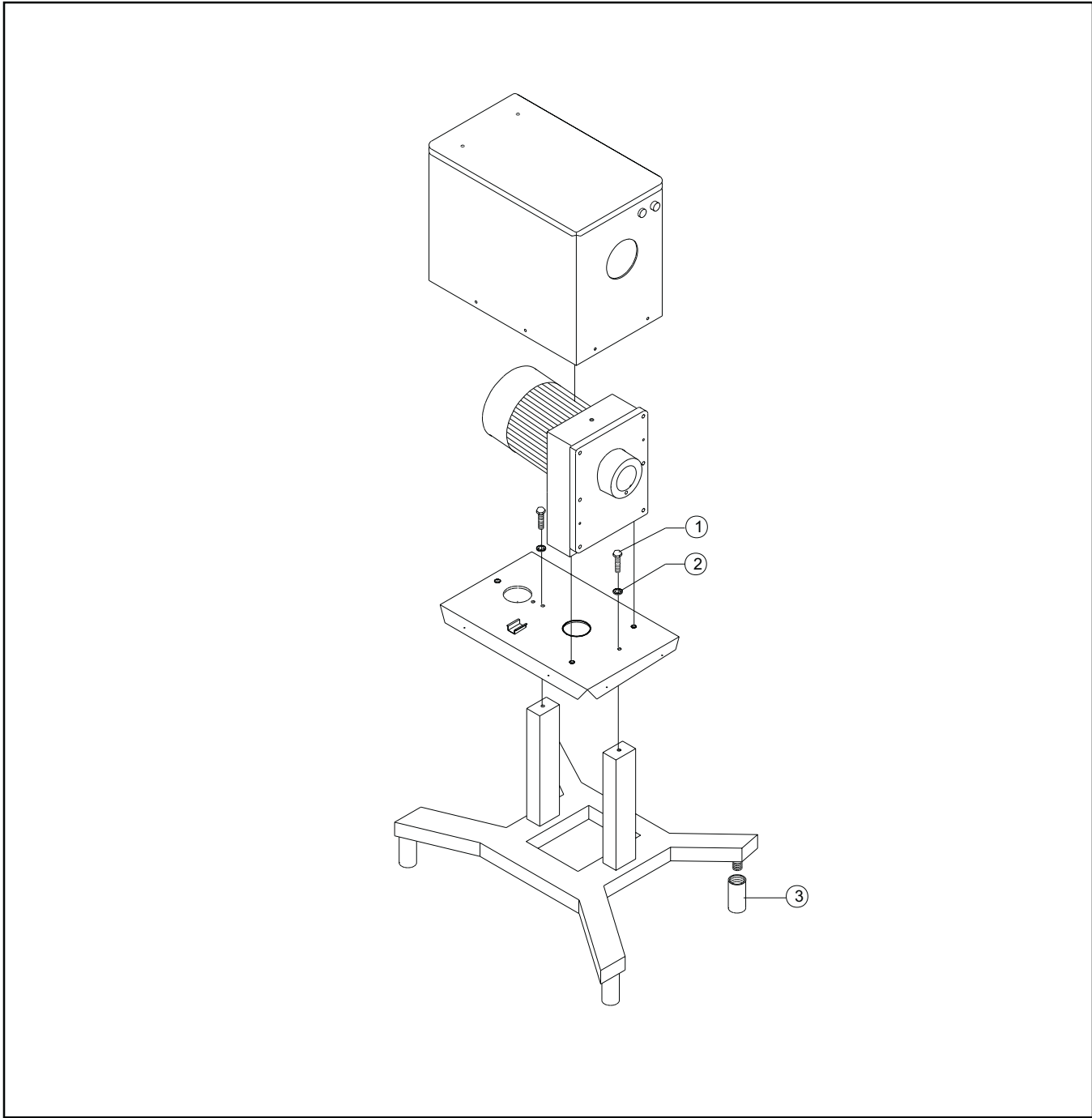
05-72710

1 2

USE TRANSMISSION OIL SAE #140 1.75 LTS.

S+S = SPRECHER + SCHUH

R.S.= REQUIREMENT STOCK



ITEM	DESCRIPTION	CODE	QTY.	R.S./100
1	BOLT HEX. HEAD. 7/16"x 1"	05-00623	2	2
2	LOCK WASHER 7/16"	05-00258	2	2
3	S.S. LEG 3 3/4" ASSY.	05-73208	1	2

R.S.= REQUIREMENT STOCK