



CATALOG OF

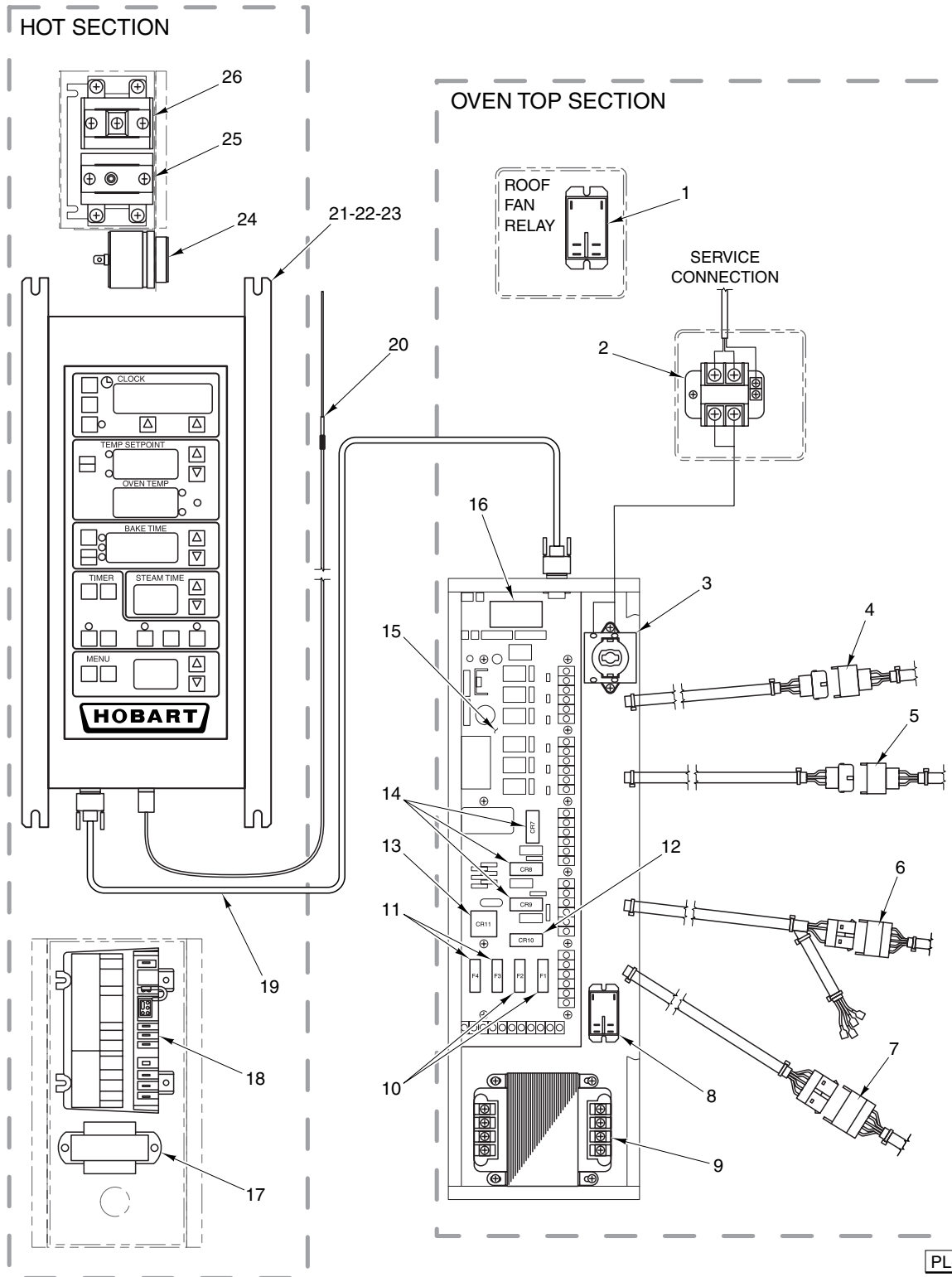
REPLACEMENT PARTS

**HSROG SERIES
SINGLE RACK OVEN**



HSROG

ML-111148

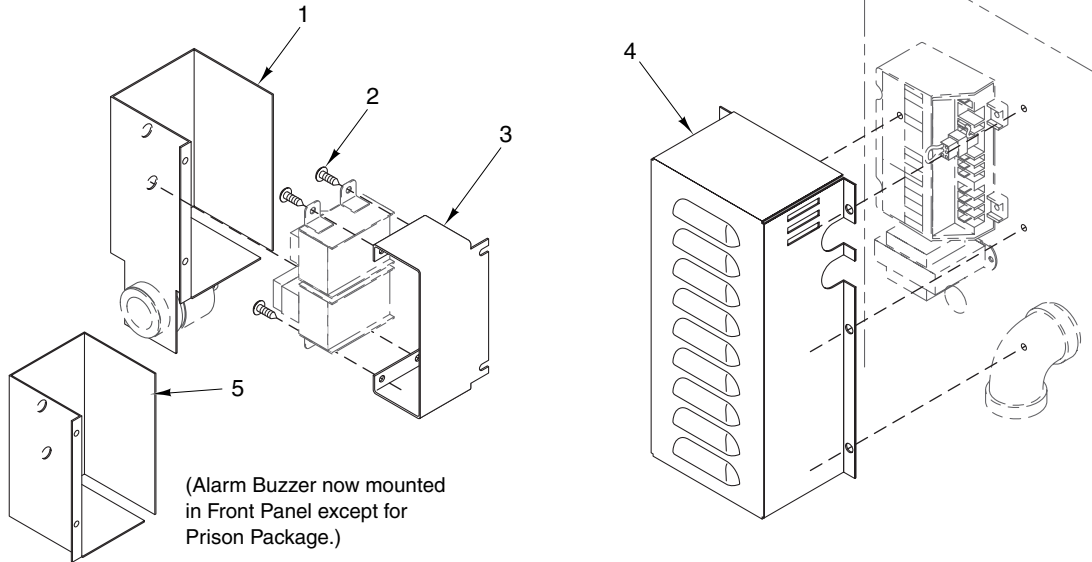


ELECTRONIC CONTROLS AND POWER SUPPLY

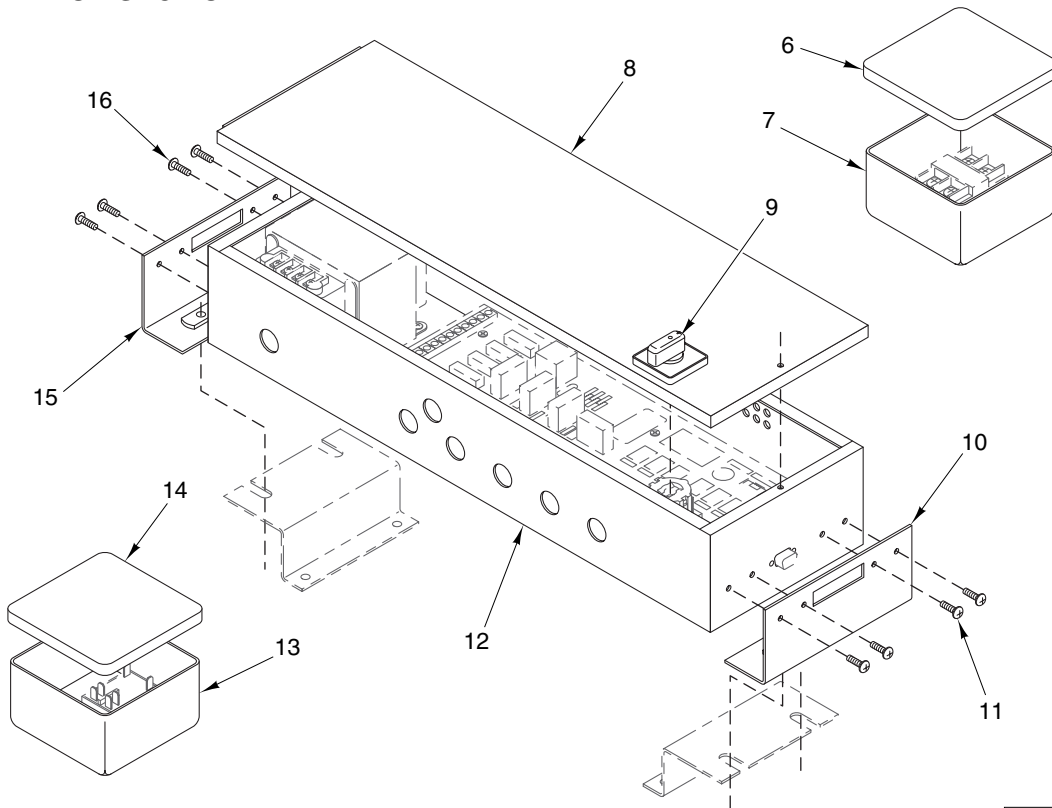
ELECTRONIC CONTROLS AND POWER SUPPLY

ILLUS.	PART NO.	NAME OF PART	AMT.
PL-55431			
1	00-837022-00027	Contactora – Roof Fan	1
2	00-281979	Block – Terminal	1
3	00-837022-00026	Switch – Master (On/Off)	1
4	00-837022-00078	Harness – Cable (6 Pin) (Output)	1
5	00-837022-00050	Harness – Wiring Assy. (9 Pin) (Output)	1
6	00-837022-00051	Harness – Wiring Assy. (12 Pin) (Output)	1
7	00-837022-00052	Harness – Wiring Assy. (15 Pin) (Output)	1
8	00-837022-00027	Contactora – Circulating Fan	1
9	00-837022-00020	Transformer – Hi-Voltage Box	1
10	00-837022-00024	Fuse (10 Amp.) Buss	2
11	00-837022-00025	Fuse (4 Amp.) Buss	2
12	00-837022-00022	Relay (120 VAC)	1
13	00-837022-00023	Relay (120 VAC)	1
14	00-837022-00021	Relay (12 VDC)	3
15	00-837022-00083	Board – Printed Circuit (Hi-Voltage Box)	1
16	00-837022-00028	EPROM – (Hi-Voltage Box)	1
17	00-837022-00011	Transformer (208-240 S/D, 24 V.)	1
18	00-837022-00015	Module – Ignition	1
19	00-837022-00006	Cable Assy. DBM-9 (R5232)	1
20	00-837022-00004	Thermocouple (W/12-Ft. Extension Cable)	1
21	00-837022-00003	Panel – Control	1
22	00-837022-00107	EPROM – Version OG-105B	1
23	00-837022-00117	Battery – Control Panel	1
24	00-837022-00034	Alarm	1
25	00-837022-00019	Switch – Hi-Temp Sensor (Manual)	1
26	00-837022-00105	Switch – Hi-Limit (Auto Cycle)	1

HOT SECTION



OVEN TOP SECTION

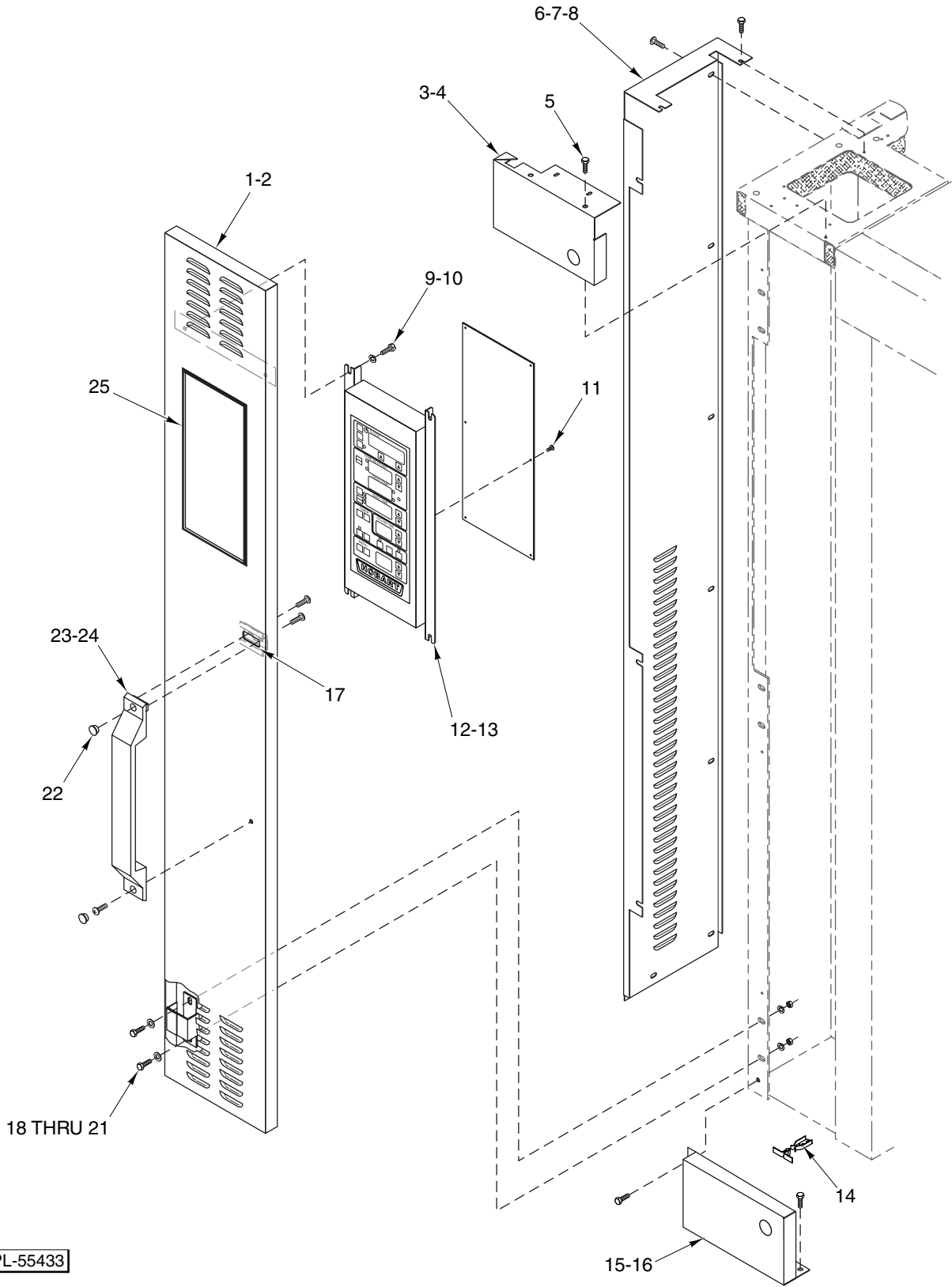


PL-55432

ELECTRONIC CONTROL BOXES, BRACKETS, AND COVERS

ELECTRONIC CONTROL BOXES, BRACKETS, AND COVERS

ILLUS.	PART NO.	NAME OF PART	AMT.
	PL-55432		
1	00-837021-00258	Cover – Limit Switch (Pre 03-01, Prison Pkg. Only)	1
2	SD-033-33	Self-Tapping Screw 8 x 5/8 Phil. Truss Hd.	4
3	00-837021-00257	Bracket – Limit Switch Mounting	1
4	00-837021-00123	Cover – Ignition Module	1
5	00-837021-00310	Cover – Limit Switch (New 03-01)	1
6	FE-004-16	Cover – Electrical	1
7	FE-013-26	Box – Conduit (Input Power Junction Box)	1
8	00-837022-00070	Cover Assy. – Hi-Voltage Box (Incls. Item 8)	1
9	00-837022-00128	Knob Kit – Main Power Switch	1
10	00-837022-00126	Bracket – Upper Mounting (Hi-Voltage Box)	1
11	SC-117-73	Mach. Screw 10-32 x 5/8 Phil. Truss Hd.	4
12	00-837022-00069	Enclosure – Hi-Voltage Box	1
13	FE-013-26	Box – Conduit (Roof Fan Relay)	1
14	FE-004-16	Cover – Electrical	1
15	00-837022-00126	Bracket – Upper Mounting (Hi-Voltage Box)	1
16	SC-117-73	Mach. Screw 10-32 x 5/8 Phil. Truss Hd.	4

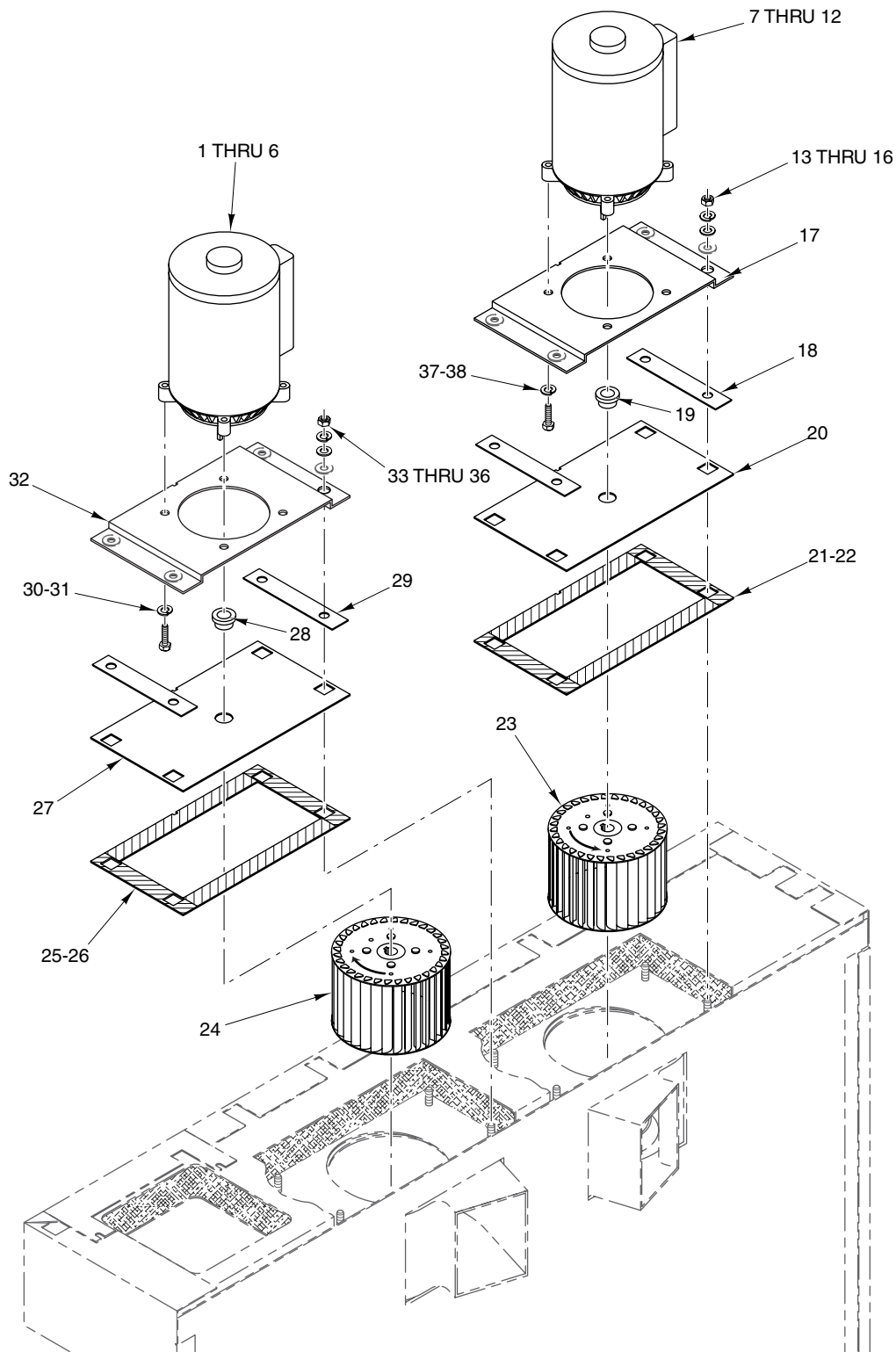


PL-55433

HOT SECTION DOOR AND PANELS

HOT SECTION DOOR AND PANELS

ILLUS.	PART NO.	NAME OF PART	AMT.
PL-55433			
1	00-837021-00044	Door – Hot Section	1
2	00-837021-00300	Door – Hot Section (New 03-01)	1
3	00-837021-00011	Panel – Top Front Exterior (Pre 03-01, Prison Pkg. Only)	1
4	00-837021-00302	Panel – Top Front Exterior (New 03-01)	1
5	SD-036-60	Self-Tapping Screw 10-16 x 1/2 Hex Washer Hd., Type AB	2
6	00-837021-00299	Panel – Left Front Exterior	1
7	SD-036-60	Self-Tapping Screw 10-16 x 1/2 Hex Washer Hd., Type AB	5
8	SC-066-19	Mach. Screw 10-32 x 7/16 Phil. Truss Hd.	7
9	SC-041-05	Cap Screw 1/4-20 x 5/8 Hex Hd.	4
10	WL-006-17	Lockwasher 1/4 Helical	4
11	SD-036-60	Self-Tapping Screw 10-16 x 1/2 Hex Washer Hd., Type AB	6
12	00-837022-00003	Panel – Control	1
13	00-837022-00131	Overlay	1
14	00-837022-00039	Catch – Door	2
15	00-837021-00293	Panel – Front Lower Exterior (New 03-01)	1
16	SD-036-60	Self-Tapping Screw 10-16 x 1/2 Hex Washer Hd., Type AB	3
17	00-837021 00124	Bracket – Mounting Handle	1
18	SC-041-05	Cap Screw 1/4-20 x 5/8 Hex Hd.	6
19	WS-030-60	Washer	6
20	WL-006-17	Lockwasher 1/4 Helical	6
21	NS-013-02	Nut 1/4-20 Hex	6
22	PB-004-26	Plug – Button (1/2)	2
23	00-281450	Handle – Door	1
24	SC-066-19	Mach. Screw 10-32 x 7/16 Phil. Truss Hd.	3
25	00-431797	Molding – Control Panel	1

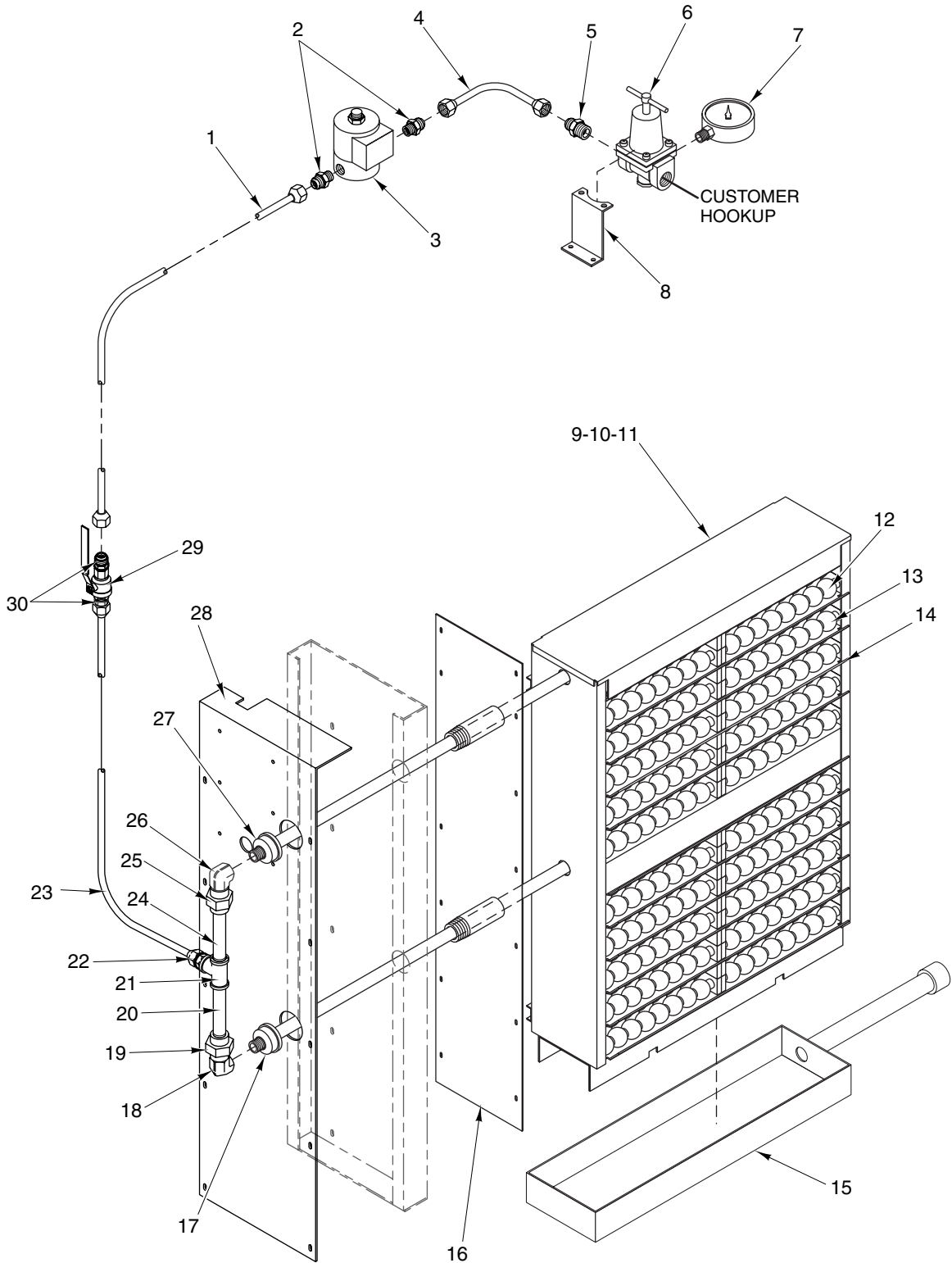


PL-55434

HOT SECTION BLOWERS

HOT SECTION BLOWERS

ILLUS. PL-55434	PART NO.	NAME OF PART	AMT.
1	00-837021-00311	Motor – Open Drip Proof (1/3 Hp., 60 Hz.)	1
2	00-837021-00264	Motor – Open Drip Proof (3/4 Hp., 50 Hz.)	1
3	00-837021-00106	Motor Assy. (Wired CW) (60 Hz.) (Incls. Items 1 & 25 thru 36)	1
4	00-837021-00104	Blower Assy. (CW) (60 Hz.) (Incls. Items 3 & 24)	1
5	00-837021-00065	Motor Assy. (Wired CW) (50 Hz.) (Incls. Items 2, 3 thru 22, 37, & 38)	1
6	00-837021-00245	Blower Assy. (CW) (50 Hz.) (Incls. Items 5 & 24)	1
7	00-837021-00311	Motor – Open Drip Proof (1/3 Hp., 60 Hz.)	1
8	00-837021-00264	Motor – Open Drip Proof (3/4 Hp., 50 Hz.)	1
9	00-837021-00105	Motor Assy. (Wired CCW) (60 Hz.) (Incls. Items 1 & 25 thru 36)	1
10	00-837021-00065	Blower Assy. (CCW) (60 Hz.) (Incls. Items 9 & 23)	1
11	00-837021-00246	Motor Assy. (Wired CCW) (50 Hz.) (Incls. Items 2, 13 thru 22, 37, & 38)	1
12	00-837021-00247	Blower Assy. (CCW) (50 Hz.) (Incls. Items 11 & 23)	2
13	NS-013-25	Nut 3/8-16 Hex	4
14	WL-006-28	Lockwasher 3/8 Helical	4
15	WS-026-06	Washer	4
16	00-837008-00026	Gasket – Fiber Washer	8
17	00-837021-00262	Bracket – Motor Mounting	1
18	00-837021-00234	Gasket – Motor Bracket	2
19	00-837021-00224	Rulon Bearing	2
20	00-837021-00261	Retainer Plate – Bearing	1
21	00-630151-00053	Tape – Double Sided (3 Ft.)	1
22	00-837002-00001	Gasket – Fiberglass (1 In. x 3 Ft.)	1
23	00-837021-00056	Wheel – Inlet Assy. (CCW)	1
24	00-837021-00057	Wheel – Inlet Assy. (CW)	1
25	00-630151-00053	Tape – Double Sided (3 Ft.)	1
26	00-837002-00001	Gasket – Fiberglass (1 In. x 3 Ft.)	1
27	00-837021-00261	Retainer Plate – Bearing	1
28	00-837021-00224	Rulon Bearing	2
29	00-837021-00234	Gasket – Motor Bracket	2
30	WL-006-28	Lockwasher 3/8 Helical	4
31	SC-041-28	Cap Screw 3/8-16 x 3/4 Hex Hd.	4
32	00-837021-00262	Bracket – Motor Mounting	1
33	NS-013-25	Nut 3/8-16 Hex	4
34	WL-006-28	Lockwasher 3/8 Helical	4
35	WS-026-06	Washer	4
36	00-837008-00026	Gasket – Fiber Washer	8
37	WL-006-28	Lockwasher 3/8 Helical	4
38	SC-041-28	Cap Screw 3/8-16 x 3/4 Hex Hd.	4

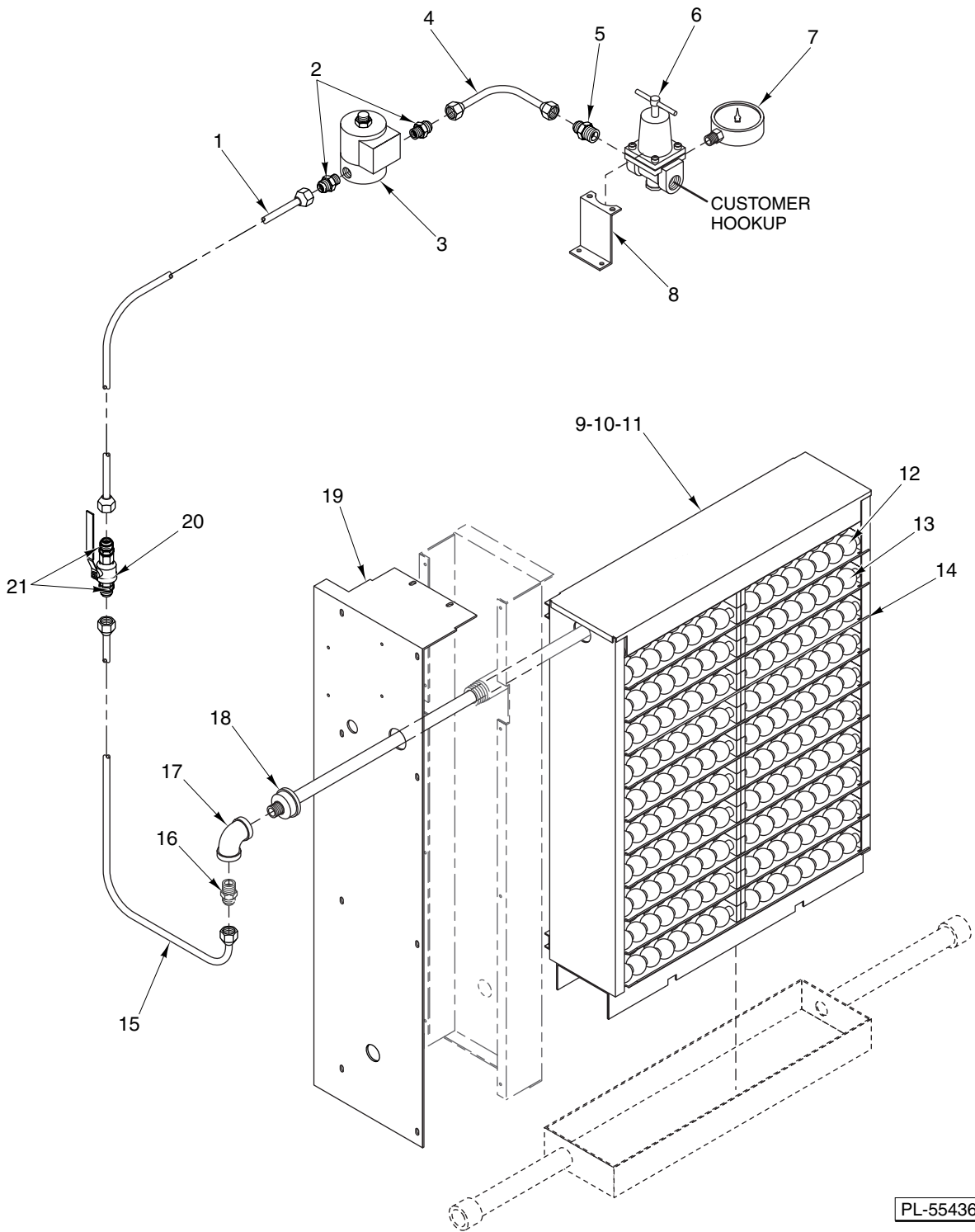


PL-55435

**STEAM GENERATOR AND WATER
FEED SYSTEM (Former Construction)**

**STEAM GENERATOR AND WATER
FEED SYSTEM (Former Construction)**

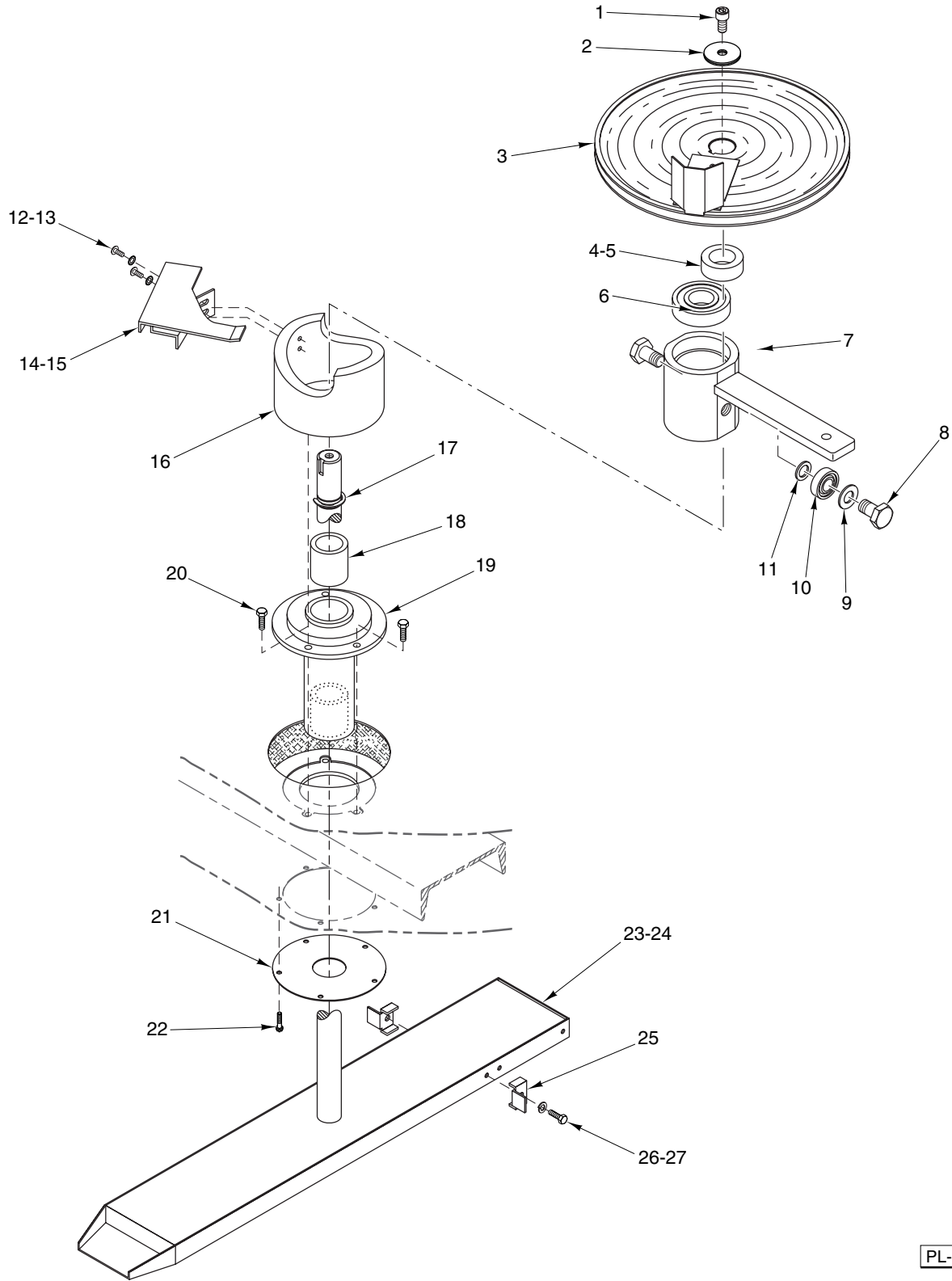
ILLUS. PL-55435	PART NO.	NAME OF PART	AMT.
1	00-837009-00094	Tubing – Solenoid Valve Inlet Assy.	1
2	00-837009-00091	Fitting – Male 3/8 Tube 1/4 NPT	2
3	00-837022-00017	Valve – Water Solenoid	1
4	00-837009-00089	Line – Water Supply	1
5	00-837009-00095	Fitting – Male 3/8 Tube x 1/2 NPT	1
6	00-837022-00038	Valve – Water Regulator	1
7	00-837022-00127	Guage – Water Pressure	1
8	00-837021-00150	Bracket – Mounting (Water Pressure Regulator)	1
9	00-837009-00043	Generator – Steam (Incls. Items 10 & 11)	1
10	00-837009-00036	Weldment – Steam Accumulator	1
11	00-837009-00093	Cover – Spray Bar	1
12	00-837009-00011	Accumulator – 3 Row	20
13	00-837009-00012	Accumulator – 4 Row	20
14	00-837009-00013	Baffle – Accumulator	10
15	00-837009-00059	Pan – Drain	1
16	00-837021-00058	Weldment – Frame Cover	1
17	00-837009-00099	Header – Spray Assy. (Lower)	1
18	00-837009-00081	Elbow – Street 90 Deg., 3/8 NPT	2
19	00-837009-00082	Union – 3/8 NPT	2
20	00-837009-00083	Pipe – Threaded 3/8 NPT x 5	2
21	00-837009-00084	Pipe Tee – 3/8 NPT	1
22	00-837009-00090	Fitting – Male 3/8 NPT x 3/8 NPT	1
23	00-837009-00087	Inlet Tube Assy.	1
24	00-837009-00084	Pipe Tee – 3/8 NPT	1
25	00-837009-00082	Union – 3/8 NPT	2
26	00-837009-00081	Elbow – Street 90 Deg., 3/8 NPT	2
27	00-837021-00098	Header – Spray Assy. (Upper)	1
28	00-837021-00187	Cover – Insulation Housing, Lower	1
29	00-837009-00092	Ball Valve (Water Shutoff)	1
30	00-837009-00091	Fitting – Male 3/8 Tube 1/4 NPT	2



**STEAM GENERATOR AND WATER
FEED SYSTEM (Present Construction)**

**STEAM GENERATOR AND WATER
FEED SYSTEM (Present Construction)**

ILLUS. PL-55436	PART NO.	NAME OF PART	AMT.
1	00-837009-00094	Tubing (Solenoid Valve Inlet)	1
2	00-837009-00091	Fitting – Male $\frac{3}{8}$ Tube $\frac{1}{4}$ NPT	2
3	00-837022-00017	Valve – Water Solenoid	1
4	00-837009-00089	Line (Water Supply)	1
5	00-837009-00095	Fitting – Male $\frac{3}{8}$ Tube $\frac{1}{2}$ NPT	1
6	00-837022-00038	Valve – Water Regulator	1
7	00-837022-00127	Guage – Water Pressure	1
8	00-837021-00150	Bracket – Mounting (Water Pressure Regulator)	1
9	00-837009-00176	Generator – Steam (Incls. Items 10 & 11)	1
10	00-837009-00014	Cover – Steam Accumulator	1
11	00-837009-00177	Weldment – Housing Accumulator	1
12	00-837009-00011	Accumulator – 3 Row	20
13	00-837009-00012	Accumulator – 4 Row	20
14	00-837009-00013	Baffle – Accumulator	10
15	00-837009-00171	Tubing (Water Line)	1
16	00-837009-00090	Fitting – Male $\frac{3}{8}$ Tube $\frac{3}{8}$ NPT	1
17	00-837009-00172	Elbow – 90 Deg., $\frac{3}{8}$ NPT (SST)	1
18	00-837021-00098	Header – Spray Assy. (Upper)	1
19	00-837021-00295	Cover – Insulation Housing (Lower)	1
20	00-837009-00092	Ball Valve (Water Shutoff)	1
21	00-837009-00091	Fitting – Male $\frac{3}{8}$ NPT x $\frac{1}{2}$ NPT	2

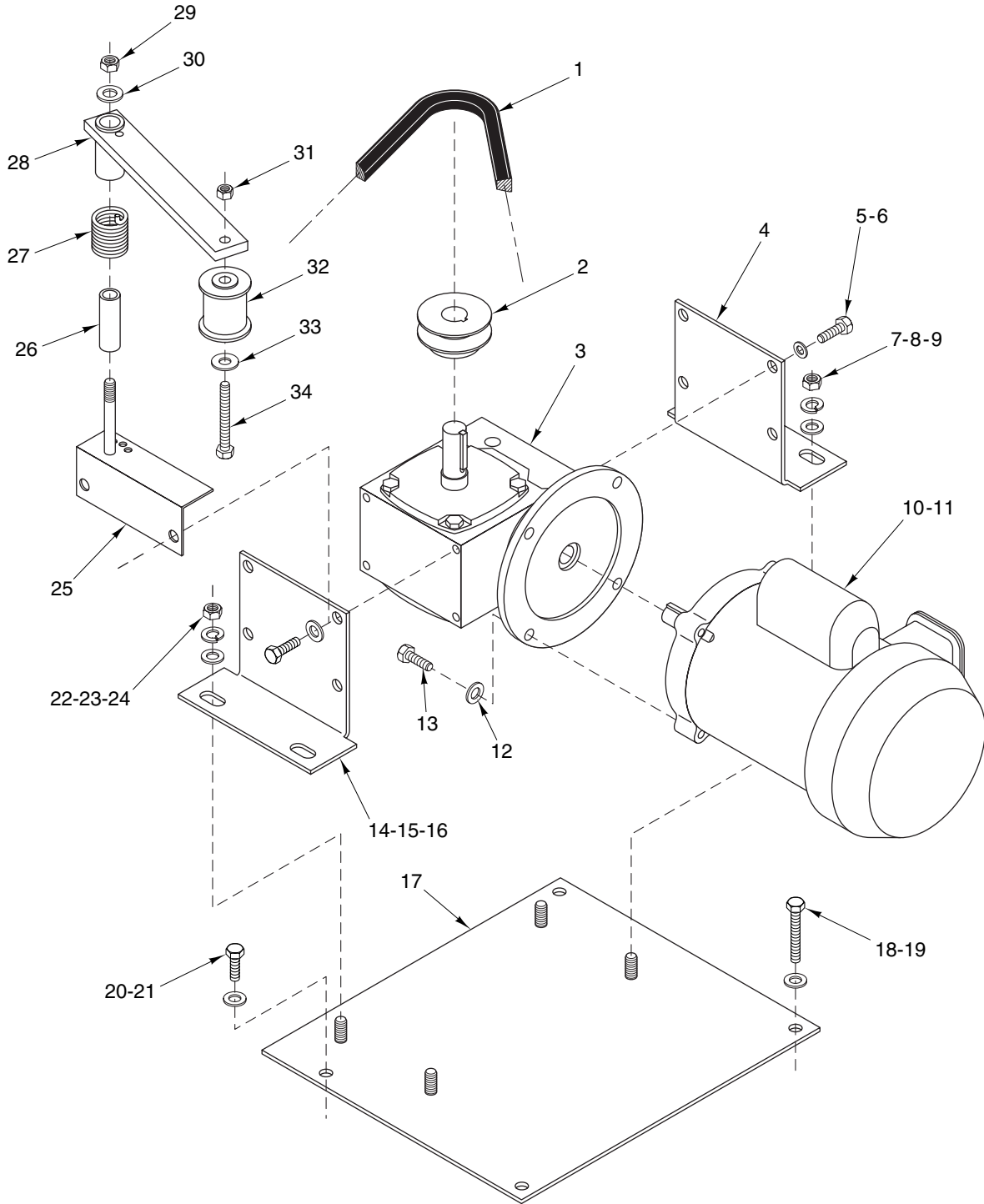


RACK LIFT MECHANISM

PL-55437

RACK LIFT MECHANISM

ILLUS. PL-55437	PART NO.	NAME OF PART	AMT.
1	SC-087-50	Cap Screw 1/2-13 x 1 Soc. Hex Hd.	1
2	00-837013-00002	Washer – Pulley Top	2
3	00-837013-00083	Pulley – Drive Assy.	1
4	00-837013-00028	Washer – Shaft Height Adjuster	1
5	00-837009-00096	Shim – Rack Height Adjustments (Sent with Oven for Field Adjustments)	3
6	00-837013-00005	Bearing – Single Row Radial	1
7	00-837013-00018	Actuator Housing	1
8	00-837013-00010	Bolt – Cam Lift Bearing Support	2
9	00-837013-00013	Washer – Grease Distributor	4
10	00-837013-00012	Bearing – Cam Lift	2
11	00-837013-00014	Washer – Cam Follower Bearing Mounting	4
12	SC-041-05	Cap Screw 1/4-20 x 5/8 Hex Hd.	2
13	WL-006-17	Lockwasher 1/4 Helical	2
14	00-837013-00098	Bracket – Down Force (Rack Lift)	1
15	00-837013-00097	Bracket – Down Force (Rack Lift) (Former Construction)	1
16	00-837013-00009	Cam	1
17	00-837013-00101	E-Ring (Rack Shaft)	1
18	00-630153-00051	Bushing (Graphalloy Grade 212)	2
19	00-837013-00095	Guide – Upper Mounting Assy. (Incls. Item 9)	1
20	SC-040-14	Cap Screw 5/16-18 3/4 Soc. Hex Hd.	3
21	00-837013-00058	Plate – Bearing Cup Cover	1
22	SC-012-35	Mach. Screw 10-24 x 4 Slotted Fil. Hd.	5
23	00-837013-00104	Support – Rack Assy. (C-Lift) (Incls. Items 25, 26, & 27)	1
24	00-837013-00090	Support – Rack Assy. (Extended C-Lift) (Incls. Items 25, 26, & 27)	1
25	00-837013-00046	Block – Rack Stop (C-Lift)	2
26	SC-041-05	Cap Screw 1/4-20 x 5/8 Hex Hd.	2
27	WL-006-17	Lockwasher 1/4 Helical	2
	00-837022-00033	Switch – Limit	1
	00-837013-00091	Arm – Limit Switch Actuator	1

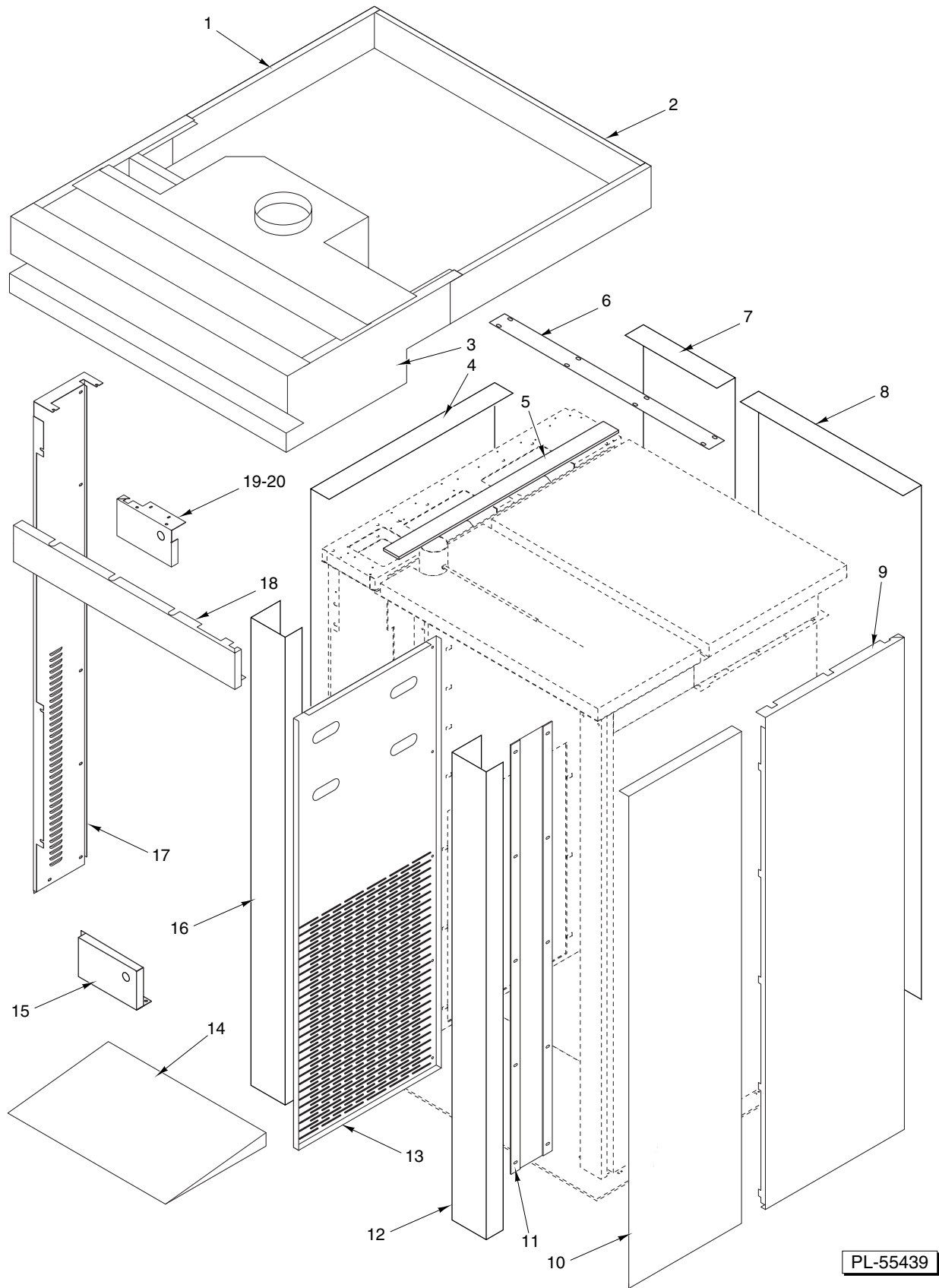


PL-55438

**LIFT MECHANISM
(Drive Motor Assembly)**

**LIFT MECHANISM
(Drive Motor Assembly)**

ILLUS.	PART NO.	NAME OF PART	AMT.
PL-55438			
1	00-837013-00069	V-Belt Rotator	1
2	00-837013-00037	Sheave – Gear Motor	1
3	00-837013-00038	Reducer – Gear Motor	1
4	00-837013-00062	Bracket – Motor Mount	1
5	SC-041-11	Cap Screw ⁵ / ₁₆ -18 x ³ / ₄ Hex Hd.	4
6	WS-017-08	Washer	4
7	NS-013-25	Nut ³ / ₈ -16 Hex	2
8	WL-006-28	Lockwasher ³ / ₈ Helical	7
9	WS-026-06	Washer	2
10	00-837013-00039	Motor – Lifting Mechanism (60 Hz.)	1
11	00-837013-00092	Motor – Lifting Mechanism (50 Hz.)	1
12	WL-006-28	Lockwasher ³ / ₈ Helical	4
13	SC-036-59	Cap Screw ³ / ₈ -16 x 1- ¹ / ₂ Hex Hd.	4
14	00-837013-00062	Bracket – Motor Mount	1
15	SC-041-11	Cap Screw ⁵ / ₁₆ -18 x ³ / ₄ Hex Hd.	4
16	WS-017-08	Washer	4
17	00-837016-00010	Plate – Mounting Rotator Motor	1
18	SC-118-21	Cap Screw ³ / ₈ -16 x 3 Hex Hd.	2
19	WS-026-06	Washer	2
20	SC-037-73	Cap Screw ³ / ₈ -16 x 1 Hex Hd.	2
21	WS-026-06	Washer	2
22	NS-013-25	Nut ³ / ₈ -16 Hex	2
23	WL-006-28	Lockwasher ³ / ₈ Helical	2
24	WS-026-06	Washer	2
25	00-837013-00064	Bracket – Belt Tensioner	1
26	00-837013-00084	Bushing – Belt Tensioner	1
27	00-630151-00003	Spring – Torsion	1
28	00-837013-00070	Arm – Idler	1
29	NS-013-25	Nut ³ / ₈ -16 Hex	1
30	WS-026-06	Washer	1
31	NS-013-25	Nut ³ / ₈ -16 Hex	1
32	00-837013-00066	Sheave – Idler Assy.	1
33	WS-026-06	Washer	1
34	SC-118-21	Cap Screw ³ / ₈ -16 x 3 Hex Hd.	1
	00-837013-00040	Reducer Motor Assy. (60 Hz.) (Incls. Items 2, 3, 4, 10, & 13)	1
	00-837013-00093	Reducer Motor Assy. (50 Hz.) (Incls. Items 2, 3, 4, 11, & 13)	1

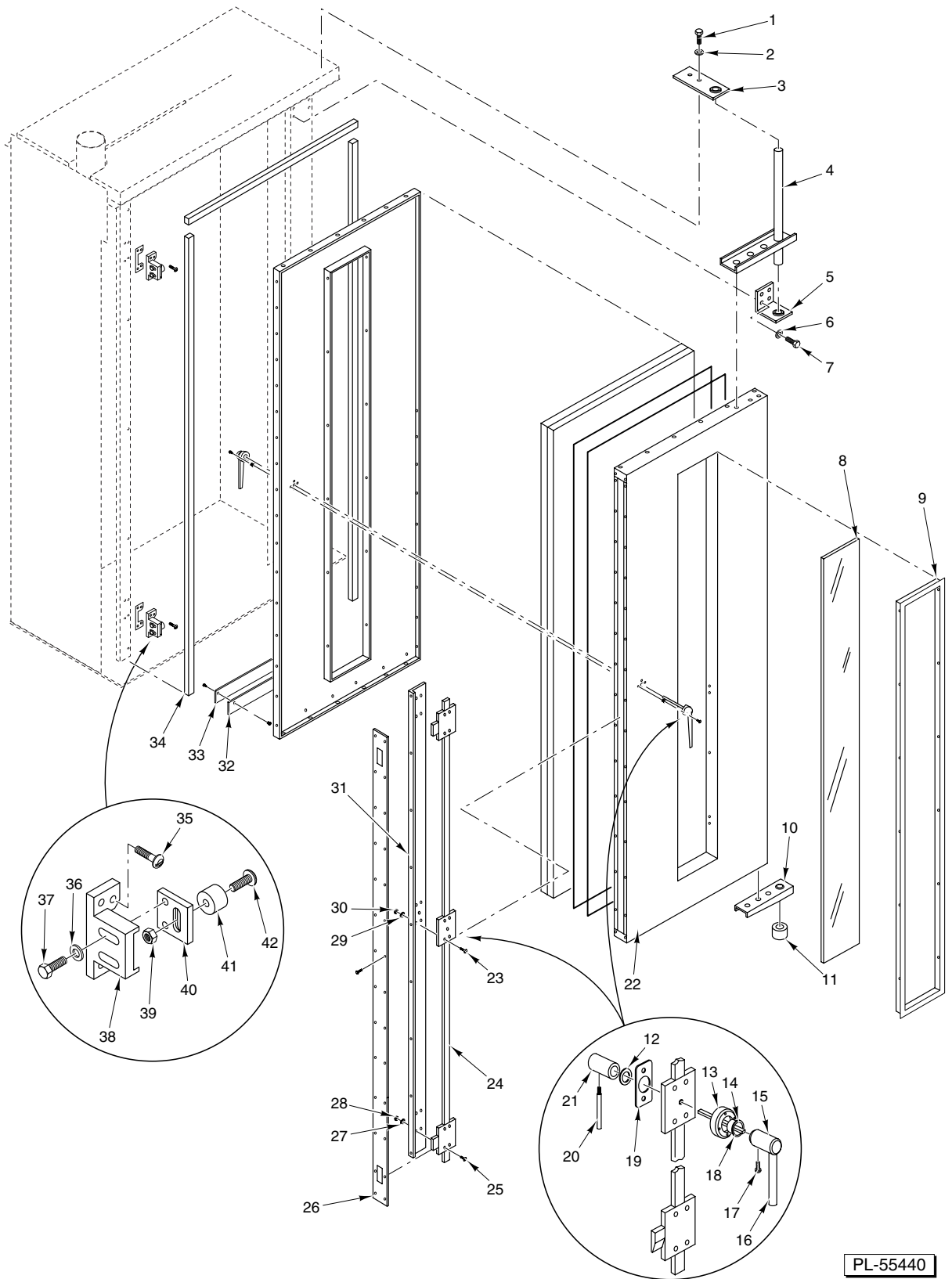


PL-55439

HOOD, RAMP, AND PANELS

HOOD, RAMP, AND PANELS

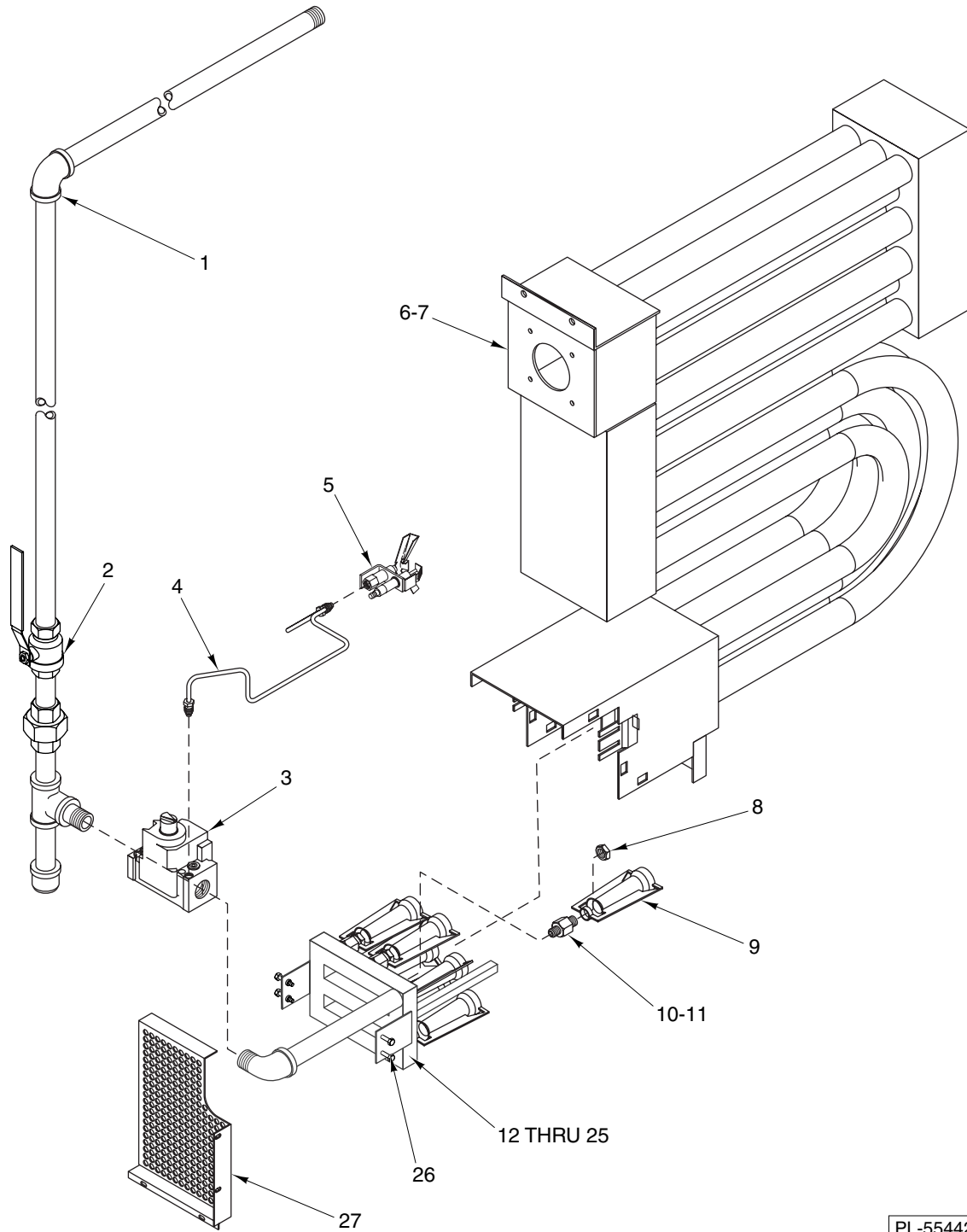
ILLUS.	PART NO.	NAME OF PART	AMT.
PL-55439			
1	00-837020-00013	Side Trim – Oven	2
2	00-837020-00012	Rear Trim – Oven	1
3	00-837020-00021	Hood Assy.	1
4	00-837021-00013	Panel – Left Rear Exterior	1
5	00-837016-00012	Cover – Joint Side Top Assy.	1
6	00-837016-00013	Panel – Mid Joint Cover	1
7	00-837021-00014	Panel – Rear Exterior (Hot Section)	1
8	00-837016-00005	Panel – Rear Exterior	1
9	00-837016-00004	Panel – Right Rear Exterior	1
10	00-837016-00003	Panel – Right Front Exterior	1
11	00-837017-00001	Cover – Right Side Interior Wall	1
12	00-837014-00001	Cover – Right Front Exterior	1
13	00-837017-00002	Cover – Right Side Interior Wall	1
14	00-837019-00005	Ramp Assy.	1
15	00-837021-00293	Panel – Lower Front Exterior (New 03-01)	1
16	00-837014-00003	Cover – Left Front Exterior	1
17	00-837021-00012	Panel – Left Front Exterior	1
18	00-837014-00002	Cover – Top Front Exterior	1
19	00-837021-00011	Panel – Front Top Exterior (Pre 03-01, New Prison Pkg. Only)	1
20	00-837021-00302	Panel – Front Top Exterior (New 03-01)	1



DOOR UNIT

DOOR UNIT

ILLUS.	PART NO.	NAME OF PART	AMT.
PL-55440			
1	SC-037-73	Cap Screw 3/8-16 x 1 Hex Hd.	2
2	WS-026-06	Washer	2
3	00-837018-00036	Bearing Plate Assy.	1
4	00-837018-00028	Top Shaft Assy.	1
5	00-837018-00037	Top Hinge Assy.	1
6	WS-026-06	Washer	4
7	SC-037-73	Cap Screw 3/8-16 x 1 Hex Hd.	4
8	00-837018-00021	Glass – Oven Door	1
9	00-837018-00042	Molding – Door Window Weldment	1
10	00-837018-00029	Bottom Shaft Assy.	1
11	00-630113-00011	Bushing – Door	1
12	00-630113-00040	Spacer – Inside Handle	1
13	00-630113-00037	Plate – Mounting Outside Handle	1
14	00-630113-00038	Collar – Outside Handle	1
15	00-630113-00035	Base – Outside Handle	1
16	00-630113-00036	Shaft – Outside Handle	1
17	SC-125-86	Mach. Screw 1/4-20 x 3/4 Phil. Flat Hd.	1
18	00-837018-00026	Shaft – Door Handle	1
19	00-837018-00033	Cover Plate – Interior Handle	1
20	00-630113-00033	Shaft – Inside Handle	1
21	00-630113-00032	Base – Inside Handle	1
22	00-837018-00035	Door Assy.	1
23	SC-022-74	Mach. Screw 1/4-20 x 1 1/2 Slotted Flat Hd.	4
24	00-630151-00022	Lock Mechanism	1
25	SC-022-35	Mach. Screw 1/4-20 x 1 Slotted Flat Hd.	8
26	00-837018-00025	Plate – Lock Mechanism Cover	1
27	WL-006-17	Lockwasher 1/4 Helical	8
28	NS-013-02	Nut 1/4-20 Hex	8
29	WL-006-17	Lockwasher 1/4 Helical	4
30	NS-013-02	Nut 1/4-20 Hex	4
31	00-837018-00017	Bracket – Lock Mechanism	1
32	00-837018-00022	Wiper – Door Bottom	1
33	00-837018-00024	Cover – Door Bottom Wiper	1
34	00-837014-00008	Gasket – Door Seal	AR
35	SC-123-64	Mach. Screw 10-32 x 1 1/4 Phil. Oval Hd.	8
36	WS-017-08	Washer	4
37	SC-041-11	Cap Screw 5/16-18 x 3/4 Hex Hd.	4
38	00-837018-00046	Latch – Door Strike	2
39	NS-048-56	Lock Nut 5/16-18	2
40	00-837018-00044	Plate – Slotted Strike	2
41	00-630151-00090	Bearing – Roller	2
42	SC-123-86	Cap Screw 5/16-18 x 1 Hex Button Hd.	2
	00-837022-00032	Switch – Door	AR
	00-837018-00047	Latch – Door Strike Assy. (Incls. Items 36 thru 42)	AR
	00-837018-00035	Oven Door Assy.	AR

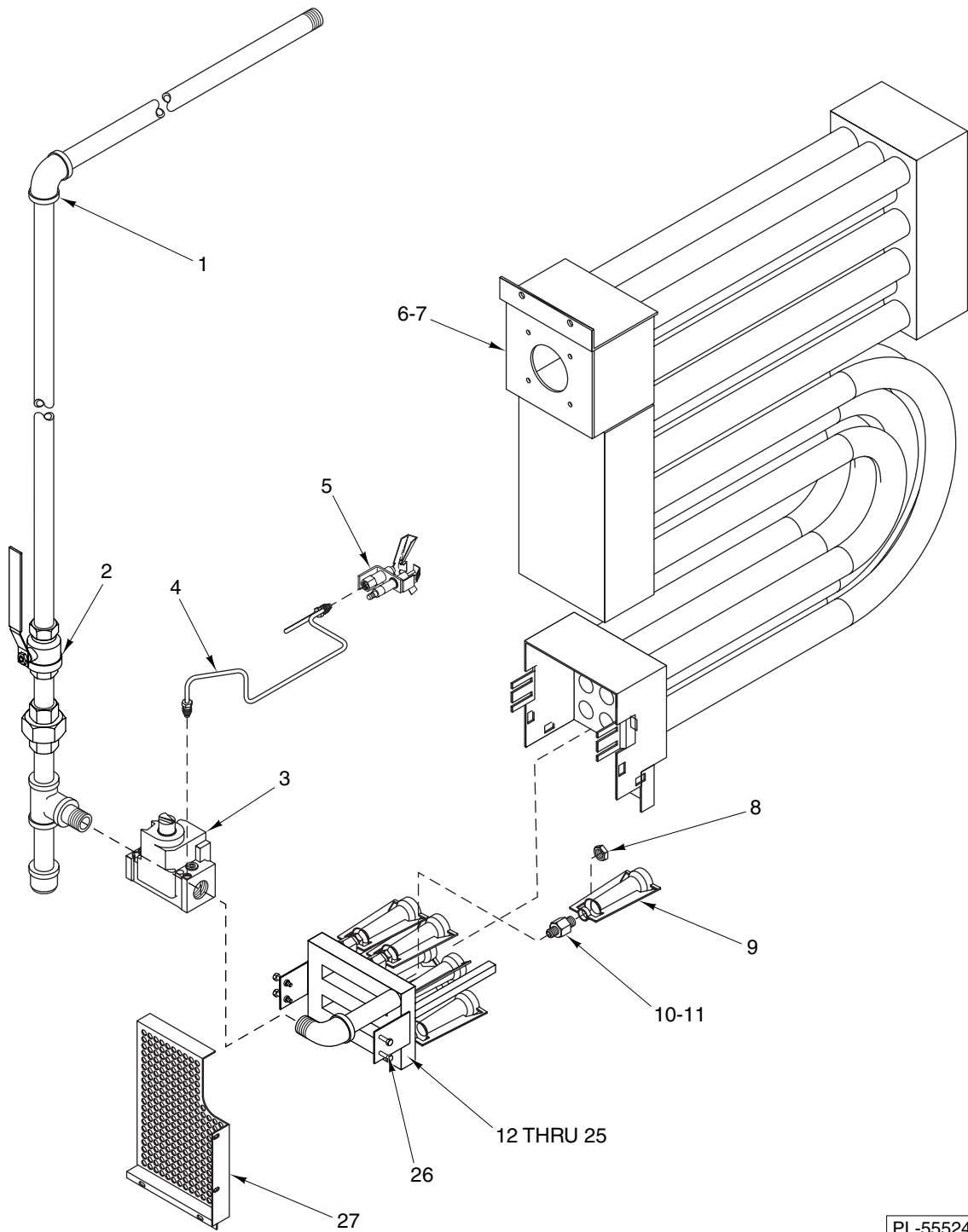


PL-55442

GAS OVEN HEATING
(Former Construction Pre 04-01)

**GAS OVEN HEATING
(Former Construction Pre 04-01)**

ILLUS. PL-55442	PART NO.	NAME OF PART	AMT.
1	00-837021-00160	Pipe Assy. (Gas Line)	1
2	00-837021-00161	Ball Valve (Gas Shutoff)	1
3	00-837022-00013	Valve – Gas	1
4	00-837008-00003	Tube – Gas Line to Ignitor	1
5	00-837022-00055	Pilot – Burner (Intermittent)	1
6	00-837009-00151	Weldment – Continuous Tube (Heat Exchanger)	1
7	00-837031-00002	Kit – Heat Exchanger Replacement	1
8	00-837001-00004	Jam Nut 1/2-13 Hex (UNC 2B)	8
9	00-837022-00119	Burner – In-Shot (Beckett)	8
10	00-837008-00035	Orifice – Flow Control (#45 Drill) Natural Gas	8
11	00-837008-00008	Orifice – Flow Control (#55 Drill) LP Gas	8
12	00-837023-00001	Gas Manifold Assy. (Under 2000 Ft.) (Natural Gas)	1
13	00-837023-00002	Gas Manifold Assy. (2000 to 3000 Ft.) (Natural Gas)	1
14	00-837023-00003	Gas Manifold Assy. (3000 to 4000 Ft.) (Natural Gas)	1
15	00-837023-00004	Gas Manifold Assy. (4000 to 5000 Ft.) (Natural Gas)	1
16	00-837023-00005	Gas Manifold Assy. (5000 to 6000 Ft.) (Natural Gas)	1
17	00-837023-00006	Gas Manifold Assy. (6000 to 7000 Ft.) (Natural Gas)	1
18	00-837023-00007	Gas Manifold Assy. (Over 7000 Ft.) (Natural Gas)	1
19	00-837023-00008	Gas Manifold Assy. (Under 2000 Ft.) (LP Gas)	1
20	00-837023-00009	Gas Manifold Assy. (2000 to 3000 Ft.) (LP Gas)	1
21	00-837023-00010	Gas Manifold Assy. (3000 to 4000 Ft.) (LP Gas)	1
22	00-837023-00011	Gas Manifold Assy. (4000 to 5000 Ft.) (LP Gas)	1
23	00-837023-00012	Gas Manifold Assy. (5000 to 6000 Ft.) (LP Gas)	1
24	00-837023-00013	Gas Manifold Assy. (6000 to 7000 Ft.) (LP Gas)	1
25	00-837023-00014	Gas Manifold Assy. (Over 7000 Ft.) (LP Gas)	1
26	SC-109-44	Mach. Screw 1/4-20 x 3/4 Hex Washer Hd.	4
27	00-837021-00211	Plate – Cover (Gas Manifold)	1

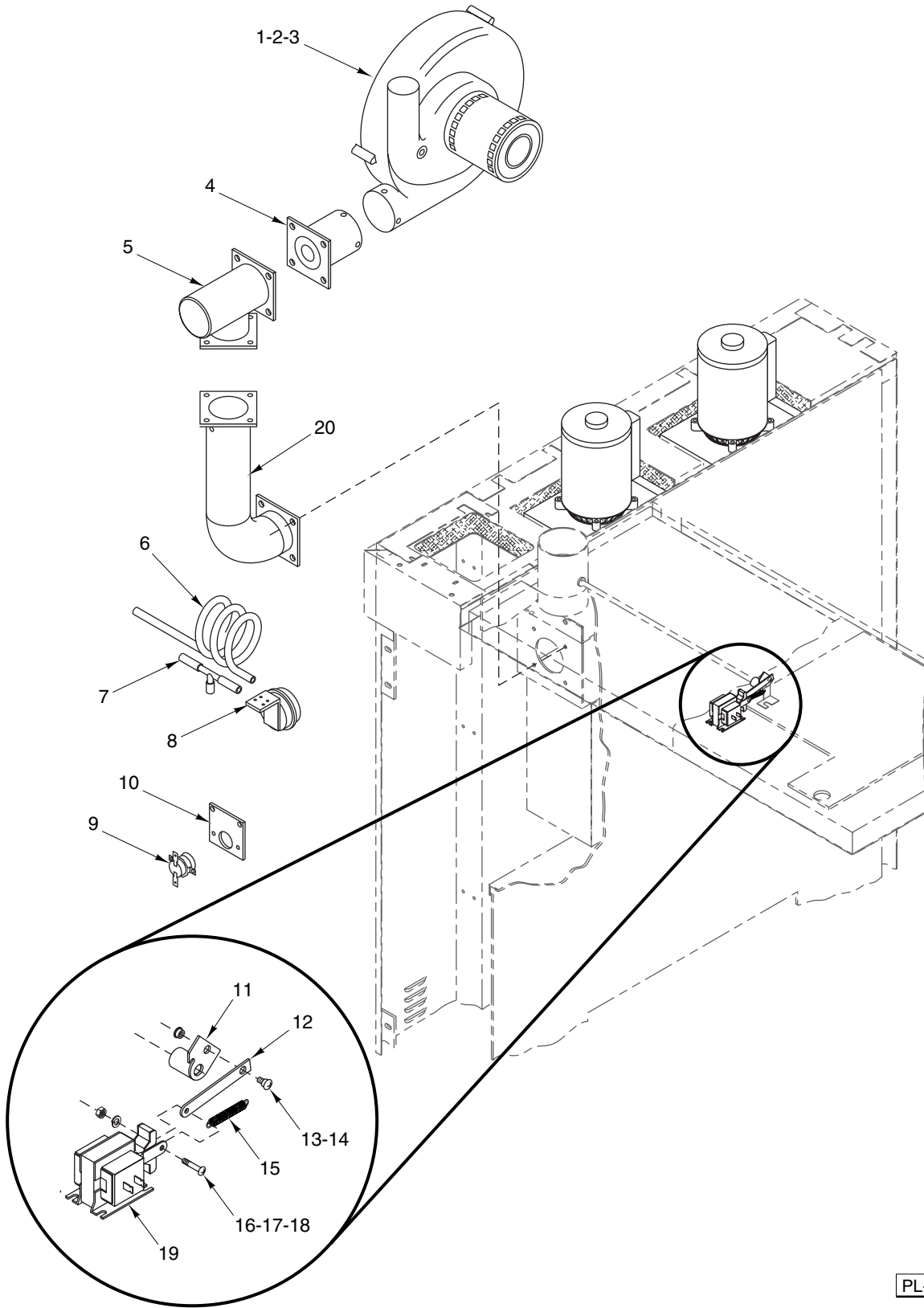


PL-55524

GAS OVEN HEATING
(Present Construction New 04-01)

GAS OVEN HEATING
(Present Construction New 04-01)

ILLUS.	PART	NAME OF PART	AMT.
PL-55524			
1	00-837021-00160	Pipe Assy. (Gas Line)	1
2	00-837021-00161	Ball Valve (Gas Shutoff)	1
3	00-837022-00013	Valve – Gas	1
4	00-837008-00038	Tube – Gas Line to Ignitor	1
5	00-837022-00055	Pilot – Burner (Intermittent)	1
6	00-837009-00191	Weldment – Continuous Tube (Heat Exchanger) (Elongated)	1
7	00-837031-00011	Kit – Heat Exchanger Replacement	1
8	00-837001-00004	Jam Nut 1/2-13 Hex (UNC 2B)	8
9	00-837022-00119	Burner – In-Shot (Beckett)	8
10	00-837008-00035	Orifice – Flow Control (#45 Drill) Natural Gas	8
11	00-837008-00008	Orifice – Flow Control (#55 Drill) LP Gas	8
12	00-837023-00001	Gas Manifold Assy. (Under 2000 Ft.) (Natural Gas)	1
13	00-837023-00002	Gas Manifold Assy. (2000 to 3000 Ft.) (Natural Gas)	1
14	00-837023-00003	Gas Manifold Assy. (3000 to 4000 Ft.) (Natural Gas)	1
15	00-837023-00004	Gas Manifold Assy. (4000 to 5000 Ft.) (Natural Gas)	1
16	00-837023-00005	Gas Manifold Assy. (5000 to 6000 Ft.) (Natural Gas)	1
17	00-837023-00006	Gas Manifold Assy. (6000 to 7000 Ft.) (Natural Gas)	1
18	00-837023-00007	Gas Manifold Assy. (Over 7000 Ft.) (Natural Gas)	1
19	00-837023-00008	Gas Manifold Assy. (Under 2000 Ft.) (LP Gas)	1
20	00-837023-00009	Gas Manifold Assy. (2000 to 3000 Ft.) (LP Gas)	1
21	00-837023-00010	Gas Manifold Assy. (3000 to 4000 Ft.) (LP Gas)	1
22	00-837023-00011	Gas Manifold Assy. (4000 to 5000 Ft.) (LP Gas)	1
23	00-837023-00012	Gas Manifold Assy. (5000 to 6000 Ft.) (LP Gas)	1
24	00-837023-00013	Gas Manifold Assy. (6000 to 7000 Ft.) (LP Gas)	1
25	00-837023-00014	Gas Manifold Assy. (Over 7000 Ft.) (LP Gas)	1
26	SC-109-44	Mach. Screw 1/4-20 x 3/4 Hex Washer Hd.	4
27	00-837021-00303	Plate – Cover (Gas Manifold)	1

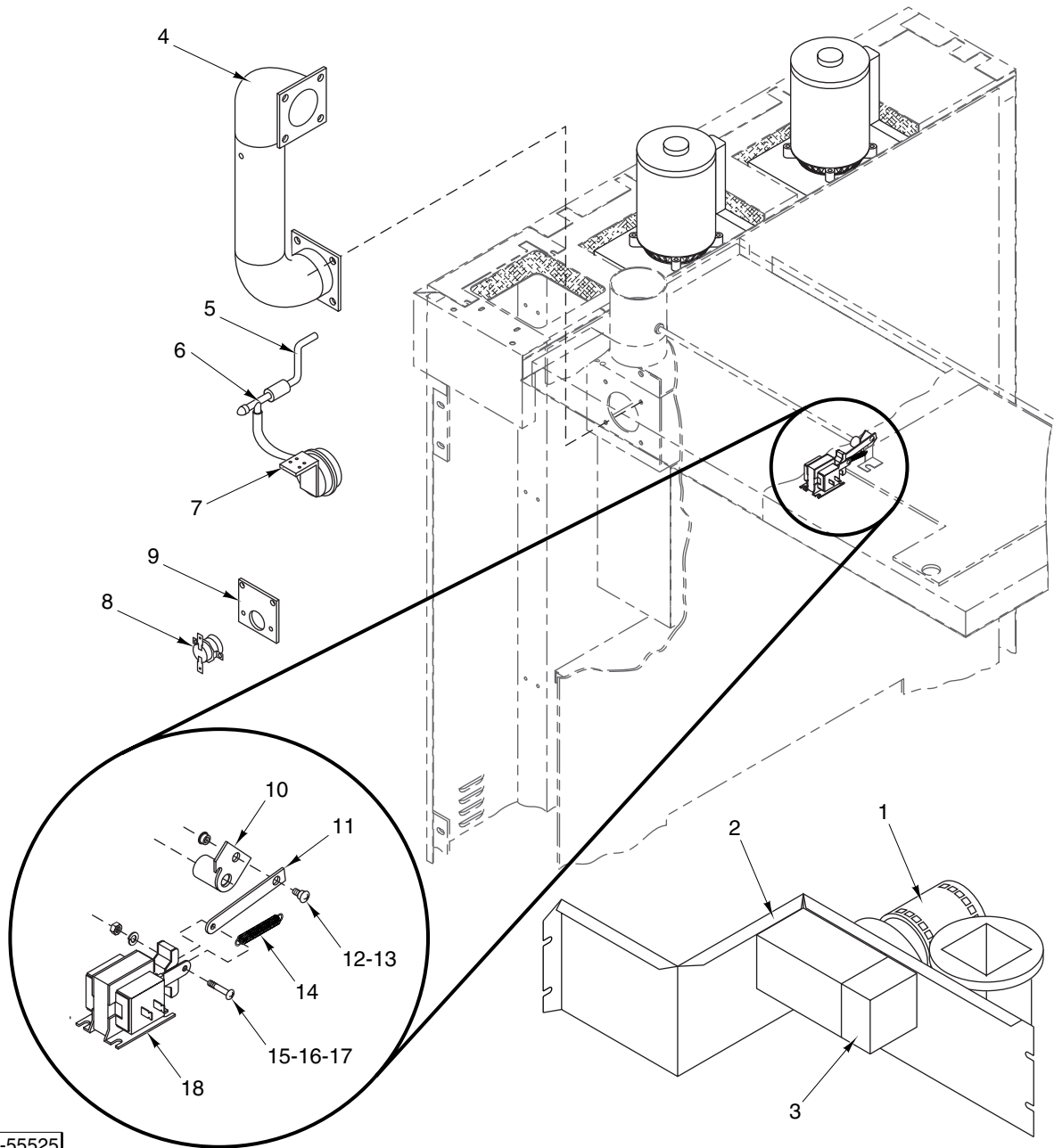


PL-55443

GAS OVEN VENTING
(Former Construction Pre 09-00)

**GAS OVEN VENTING
(Former Construction Pre 09-00)**

ILLUS. PL-55443	PART NO.	NAME OF PART	AMT.
1	00-837021-00072	Weldment – Blower Assy. (Incls Items 2, 3, & 4)	1
2	00-837021-00215	Motor – Venter (11 In., 120 V.) (Plastic)	1
3	00-837022-00037	Plug – Pipe 1/8 NPT	1
4	00-837021-00219	Weldment – Flange Nozzle	1
5	00-837021-00139	Pipe Tee Weldment	1
6	00-837021-00202	Line – Vacuum Switch	1
7	00-837021-00206	Line – Vacuum Test Port	1
8	00-837022-00018	Sensor – Vacuum	1
9	00-837022-00041	Switch – Roll-Out Sensor	1
10	00-837021-00168	Bracket – Roll-Out Switch Mounting	1
11	00-837004-00031	Weldment – Collar Plate (Steam Vent)	1
12	00-837004-00029	Arm – Spring Return	1
13	SC-066-19	Mach. Screw 10-32 x 3/16 Phil. Truss Hd.	1
14	00-265780-00001	Insert – AVDEL 10-32	1
15	00-837022-00061	Spring – Return (Steam Vent)	1
16	SC-018-60	Mach. Screw 6-32 x 1 1/8 Phil. Pan Hd.	1
17	WL-006-42	Lockwasher #6 Medium	1
18	NS-010-06	Nut 6-32 Hex (Brass)	1
19	00-837022-00058	Solenoid – Actuator Steam Vent	1
20	00-837021-00100	Vent – Stack Assy.	1

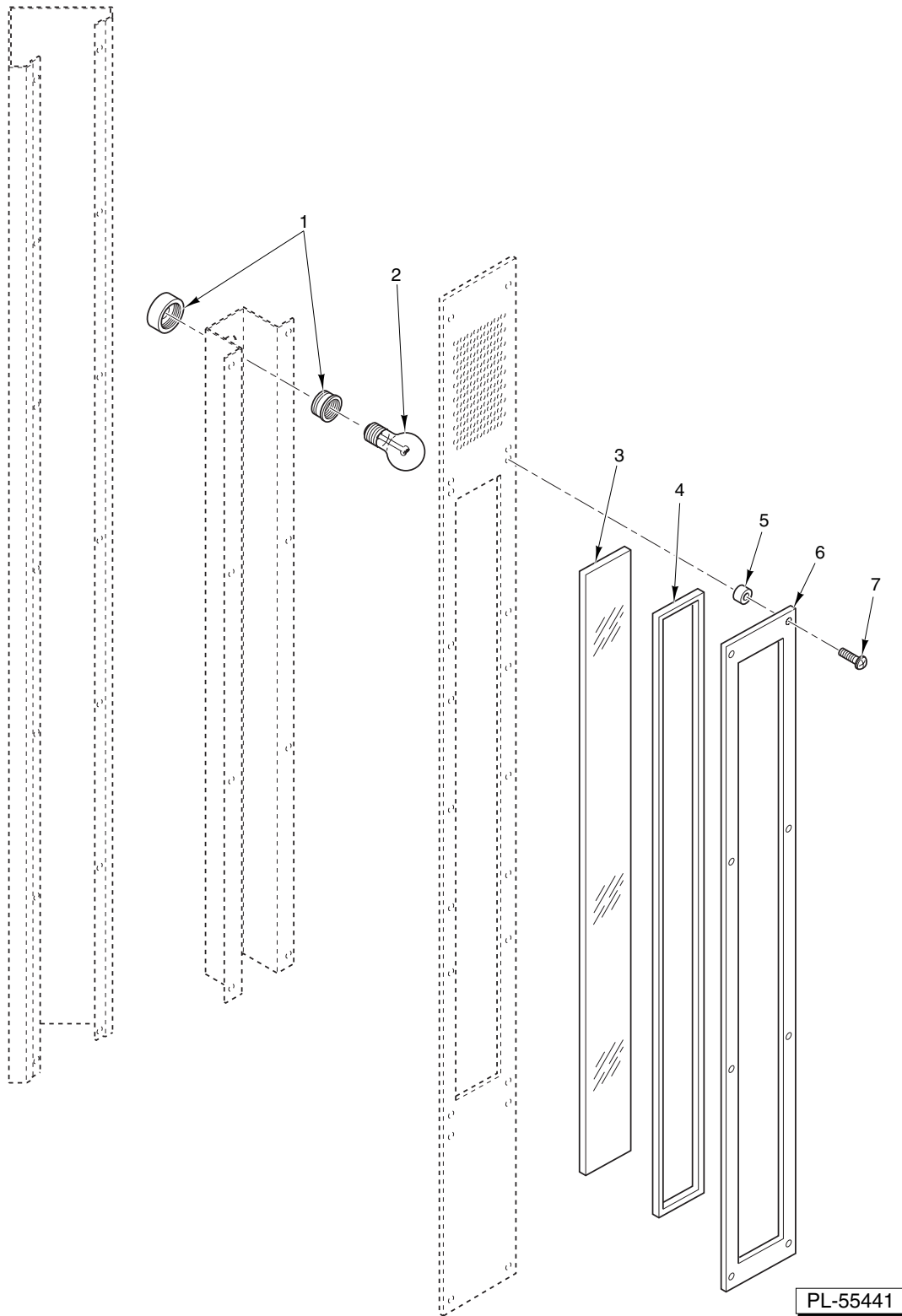


PL-55525

**GAS OVEN VENTING
(Present Construction New 09-00)**

GAS OVEN VENTING
(Present Construction New 09-00)

ILLUS. PL-55525	PART NO.	NAME OF PART	AMT.
1	00-837100-00019	Blower Assy. Power Venter	1
2	00-837100-00009	Weldment – Wall Duct	1
3	00-837100-00008	Duct – Sliding	1
4	00-837021-00290	Vent – Stack Assy.	1
5	00-837021-00301	Line – Vacuum Switch	1
6	00-837021-00206	Line – Vacuum Test Port	1
7	00-837022-00018	Sensor – Vacuum	1
8	00-837022-00041	Switch – Roll-Out Sensor	1
9	00-837021-00168	Bracket – Roll-Out Switch Mounting	1
10	00-837004-00031	Weldment – Collar Plate (Steam Vent)	1
11	00-837004-00029	Arm – Spring Return	1
12	SC-066-19	Mach. Screw 10-32 x ⁷ / ₁₆ Phil. Truss Hd.	1
13	00-265780-00001	Insert – AVDEL 10-32	1
14	00-837022-00061	Spring - Return (Steam Vent)	1
15	SC-018-60	Mach. Screw 6-32 x 1 ¹ / ₈ Phil. Pan Hd.	1
16	WL-006-42	Lockwasher #6 Medium	1
17	NS-010-06	Nut 6-32 Hex (Brass)	1
18	00-837022-00058	Solenoid – Actuator Steam Vent	1



LIGHT FIXTURE UNIT

LIGHT FIXTURE UNIT

ILLUS.	PART NO.	NAME OF PART	AMT.
PL-55441			
1	00-837005-00028	Socket – Ceramic Lamp	6
2	00-837005-00029	Lamp – Incandescent	6
3	00-837005-00007	Glass – Light Fixture	1
4	00-837002-00001	Fiberglass Strip	AR
5	00-265780-00001	Insert – ADVEL 10-32	8
6	00-837005-00010	Cover – Glass	1
7	SC-066-19	Mach. Screw 10-32 x 7/16 Phil. Truss Hd.	8
	00-837022-00053	Wiring Harness – Gas Oven	1
	00-837022-00063	Wiring Harness – Lights (Thru Wall Connectors)	2

