

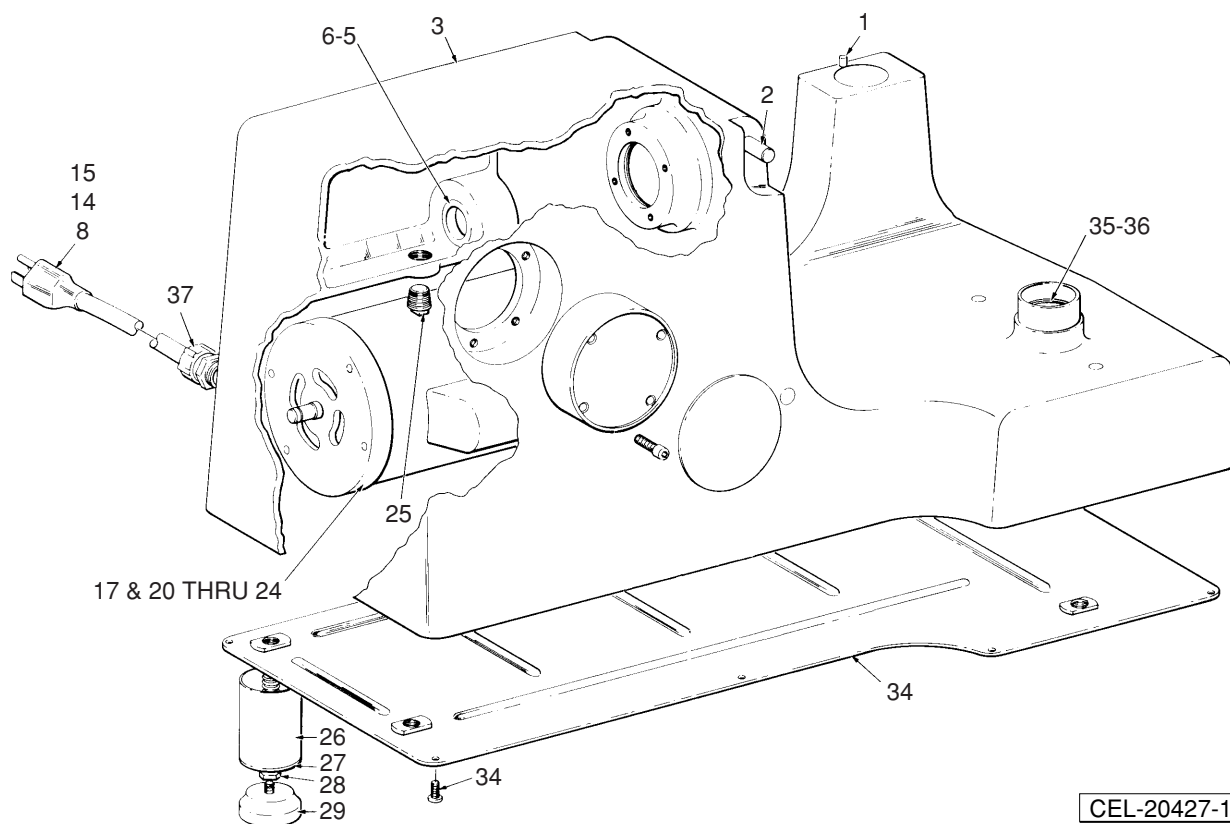


**CATALOG OF
REPLACEMENT PARTS**



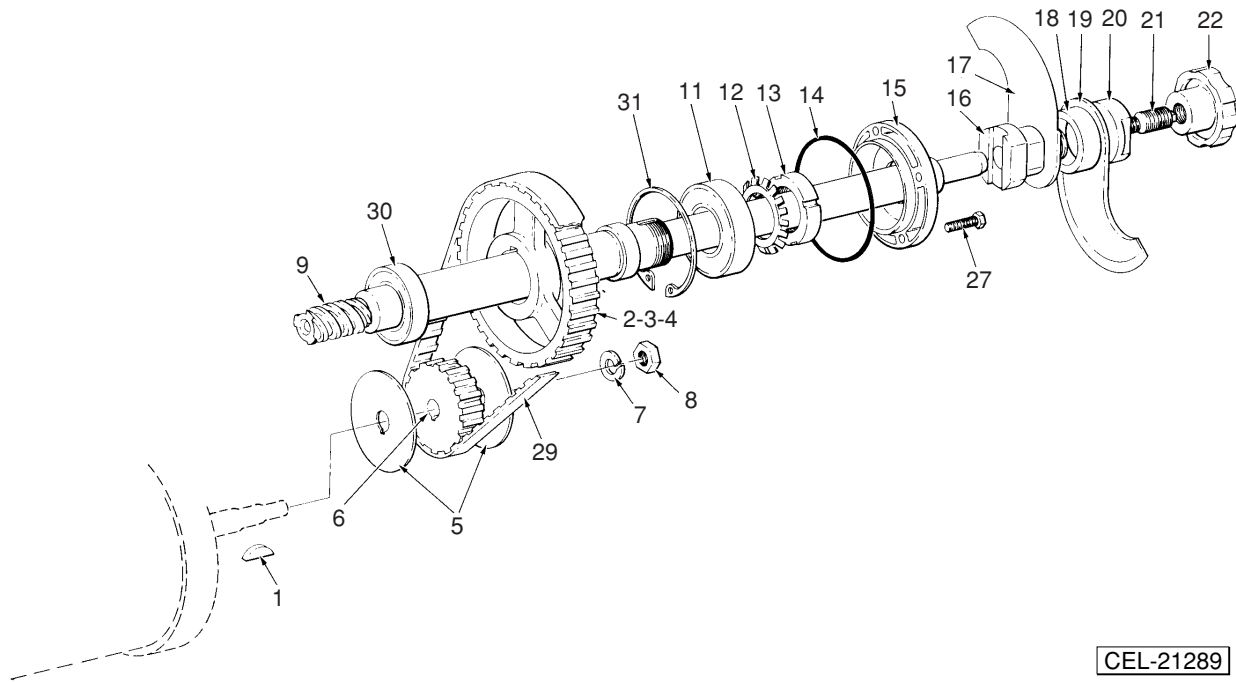
**MODEL 84186
FOOD CUTTER**

(INCLUDES MOTOR PARTS)
ML-33895



BASE UNIT

ILLUS.	PART	NAME OF PART	AMT.
CEL-20427-1	NO.		
1	11800-242	Dowel	1
2	116644-2	Pin - Bowl Cover Hinge	1
3	291766	Base, Bearings & Interlock Control Shaft Assy. (84186)	1
5	291701	Insert (Pulley End)	1
6	291692	Seal - Knife Shaft (84186)	1
8	117542-22	Cord & Plug (230 V., 60 Hz., 1 Ph.)	1
14	SD-24-1	Self-Tapping Screw 10-24 x 3/8 Pan Hd., Type TT (Ground)	1
15	WL-8-13	Lockwasher 10 Int. Shakeproof	1
17	293922-1	Other than Hobart Built Motor Assy. (115-230 V., 60 Hz., 1 Ph.)	1
20	SC-41-15	Cap Screw 5/16-18 x 1 1/4 Hex Hd.	2
21	WS-5-32	Washer	2
22	291284	Washer - Toothed	4
23	WL-3-44	Lock Washer 5/16 Medium	4
24	NS-13-14	Mach. Nut 5/16-18 Hex	4
25	FP-28-18	Plug - Pipe 3/4 (84186)	1
26	77772-2	Leg	4
27	64814	Cap - Leg End	4
28	290061-3	Stud - Leg	4
29	83681	Foot - Rubber	4
30	SD-24-44	Self-Tapping Screw 10-24 x 1/2 Phil., Pan Hd., Type TT	10
34	291684	Bottom Cover Assy.	1
35	RR-7-7	Retaining Ring	2
36	BB-5-34	Ball Bearing - Hoover #NSK6204DDUCE1VS3	2
37	FE-8-20	Connector - Strain Relief (Single Phase)	1
	290574	Leg Kit (Incls. items 26 thru 29)	1

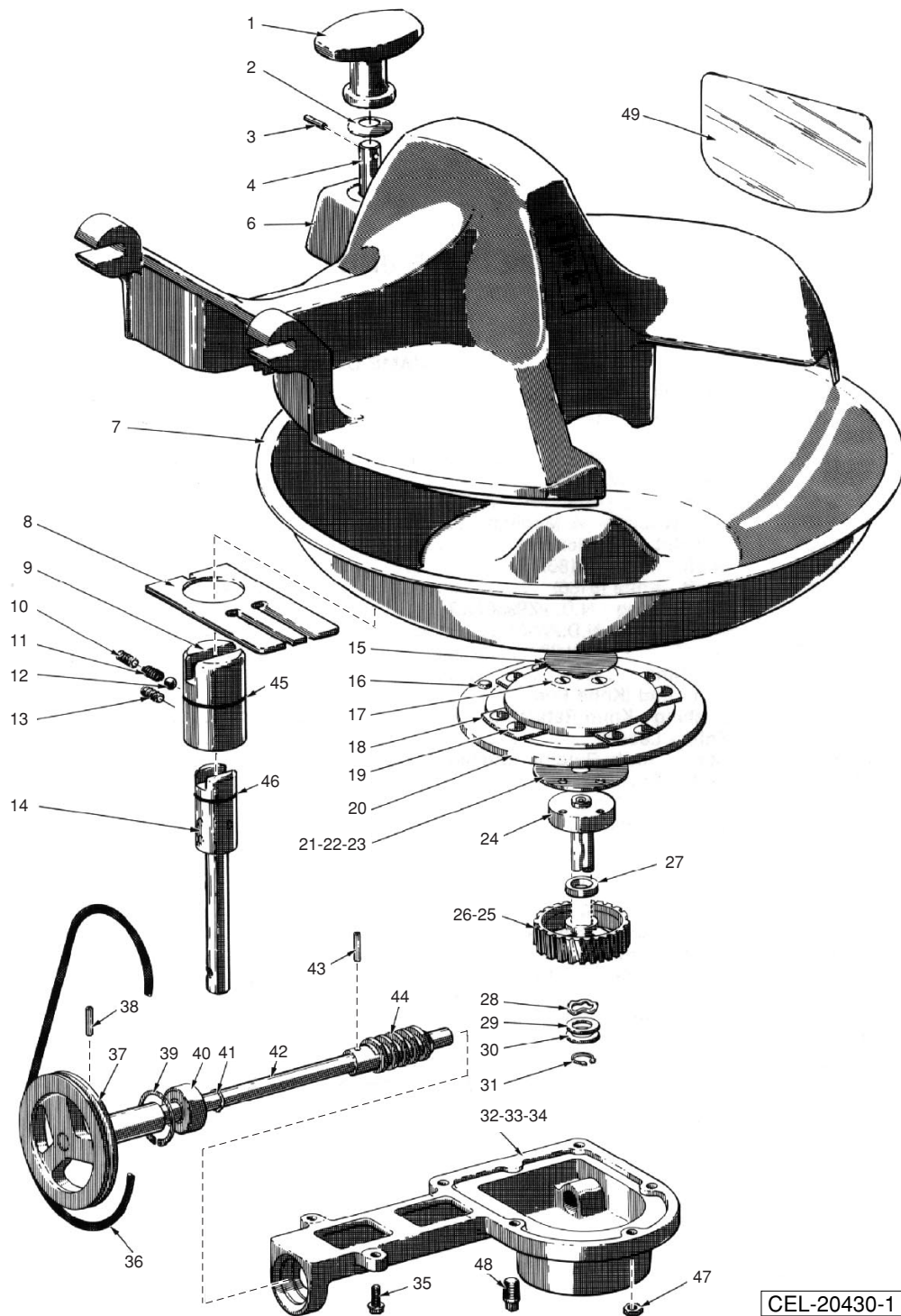


CEL-21289

KNIFE DRIVE UNIT

ILLUS. NO.	PART NO.	NAME OF PART	AMT.
1	KW-3-10	Key - #606 Woodruff	1
2	291634-2	Gear - Driven (36T)	1
3	12430-142	Key - 1/4 x 1/4 x 1	1
4	SC-110-99	Set Screw 3/16-18 x 3/8 Hdls., Oval Pt.	2
5	77358	Flange - Flexa-Gear	2
6	77357	Gear - Drive (18T)	1
7	WL-4-13	Lock Washer - 1/2 Medium	1
8	NS-13-35	Full Nut 1/2-10 Hex	1
9	270856	Shaft - Knife (84186)	1
11	BB-7-39	Ball Bearing - N.D. #Z99507XR	1
12	WL-12-8	Lock Washer N.D. #W-07	1
13	NS-47-12	Lock Nut N.D. #N-07	1
14	67500-115	"O" Ring	1
15	291705	Cap - End (Knife End)	1
16	71313	Bushing - Knife Retaining	1
17	77372	Knife - Leader	1
18	71312	Collar - Knife Retainer Bushing	1
19	77373	Knife - Follower	1
20	71311	Collar - Locking	1
21	78398	Insert - Knife Shaft	1
22	77371	Knob - Fluted	1
27	SC-67-8	Mach. Screw 10-24 x 7/8 Hex Hd.	4
29	77370	Flexa-Gear	1
30	BB-15-22	Ball Bearing - Fafnir #9107KDD	1
31	RR-4-24	Retaining Ring	1
	101790	Knife Assy. (Incls. items 16 thru 20)	1

* Not NSF Approved.

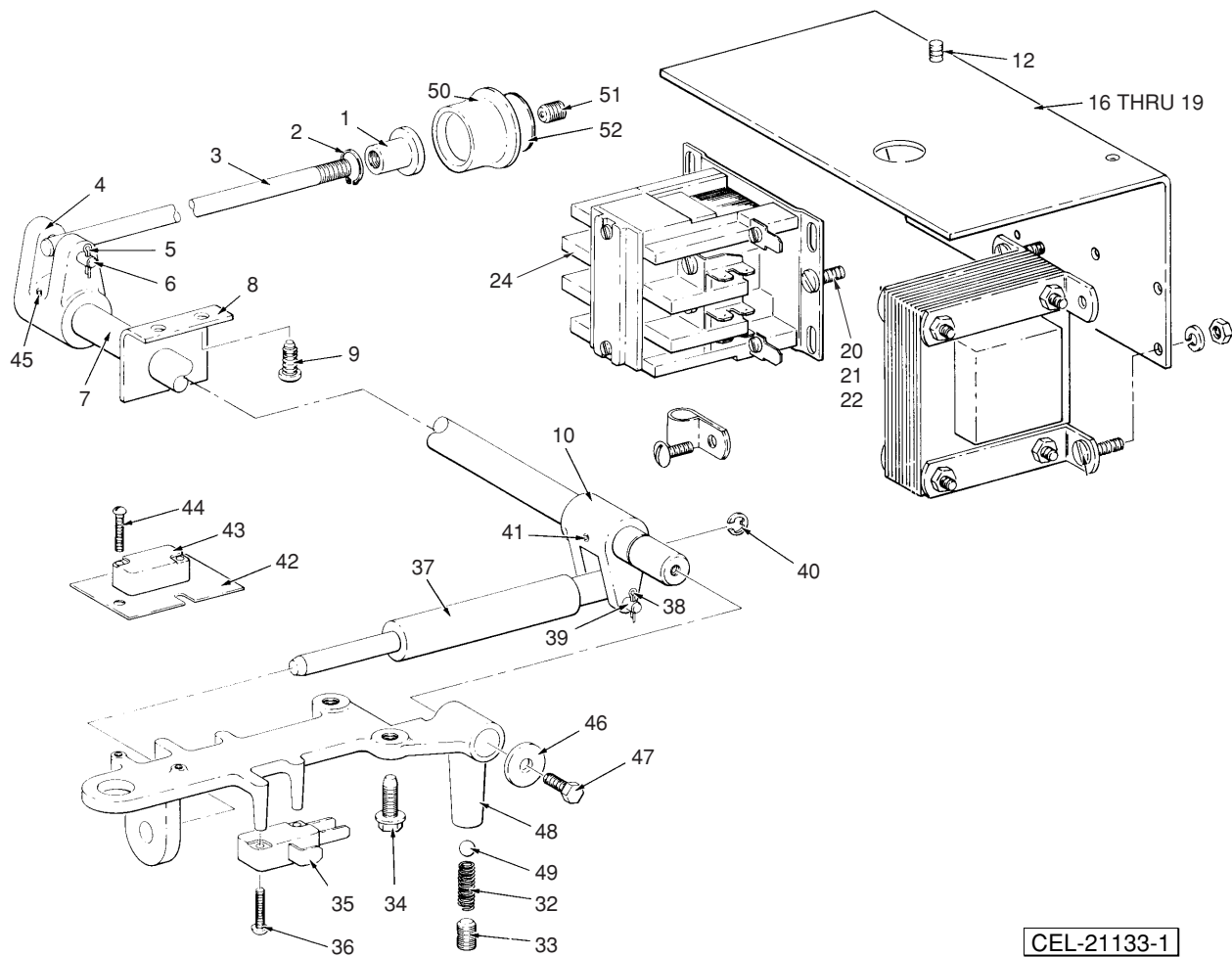


CEL-20430-1

BOWL AND BOWL DRIVE UNIT

BOWL AND BOWL DRIVE UNIT

ILLUS. CEL-20430-1	PART NO.	NAME OF PART	AMT.
1	116814	Handle Locking	1
2	77374	Washer - Belleville	1
3	PG-3-27	Groov-Pin - Type A, 3/16 x 7/8	1
4	117168	Bolt - Interlock	1
5	290570	Bowl Cover & Caution Plate Assy. (60 Hz.)	1
7	290239	Bowl & Adapter Assy.	1
8	123934	Comb	1
9	77376	Adapter - Locking	1
10	SC-64-23	Set Screw - 5/16-18 x 3/8 Soc. Hdls., Oval Pt. "Nylok"	1
11	77381	Spring - Ball Detent	1
12	BA-2-10	Ball - 1/4 Dia.	1
13	SC-64-13	Set Screw - 5/16-18 x 3/4 Soc. Hdls., Cup Pt. "Nylok"	1
14	291776	Interlock Control Shaft Assy.	1
15	116651	Cover - Bowl Support	1
16	88417	Pin - Bowl Stop	1
17	SC-22-32	Mach. Screw 1/4-20 x 1/2 Flat Hd.	3
18	78061	Clamp - Bowl Support	4
19	SC-53-9	Mach. Screw - 1/4-28 x 1/2 Truss Hd.	8
20	291587-2	Support - Bowl	1
21	116654-1	Shim - Bowl Adjusting (.003 Thk., Green)	AR
22	116654-2	Shim - Bowl Adjusting (.005 Thk., Blue)	AR
23	116654-3	Shim - Bowl Adjusting (.010 Thk., Brown)	AR
24	291773	Shaft - Vertical Bowl Drive	1
25	291693-2	Gear - Vertical Bowl Drive (51T)	1
26	12430-47	Key - 3/16 x 3/16 x 1 1/16	1
27	116647	Spacer - Bowl Drive	1
28	SL-3-2	Spring - Loading	1
29	WS-10-20	Washer	AR
30	WS-11-1	Washer	1
31	RR-4-20	Retaining Ring	1
32	291785	Case - Gear (Incls. items 33 & 34)	1
33	BN-2-9	Needle Bearing	1
34	291686	Seal - Bowl Drive Gear	1
35	SD-15-25	Self-Tapping Screw 1/4-20 x 5/8 Hex Washer Hd., Type TT	2
36	291704	Belt - Round	1
37	291789-2	Pulley - Horizontal Bowl Drive	1
38	RP-3-14	Roll Pin 3/16 Dia. x 7/8 Lg.	1
39	RR-7-8	Retaining Ring	1
40	BB-5-30	Ball Bearing - N.D. #Z99503XR	1
41	RR-4-18	Retaining Ring	1
42	291688	Shaft - Horizontal Bowl Drive	1
43	RP-3-14	Roll Pin 3/16 Dia. x 7/8 Lg.	1
44	77349	Worm - Horizontal Bowl Drive Shaft (1T)	1
45	67500-14	"O" Ring	1
46	67500-10	"O" Ring	1
47	NS-13-14	Mach. Nut 5/16-18 Hex	6
48	FP-28-42	Pipe Plug 1/8 Sq. Hd.	1
49	118801	Scraper - Bowl	1
	290910-1	Bowl Cover & Locking Knob Assy. (60 Hz.) (Incls. items 1 thru 5)	1
	291786	Shaft - Horizontal Bowl Drive Assy. (Incls. items 37, 38, 40, 41 & 42)	1
	102973-73	Mobil Gear 634 (16 oz.)	1

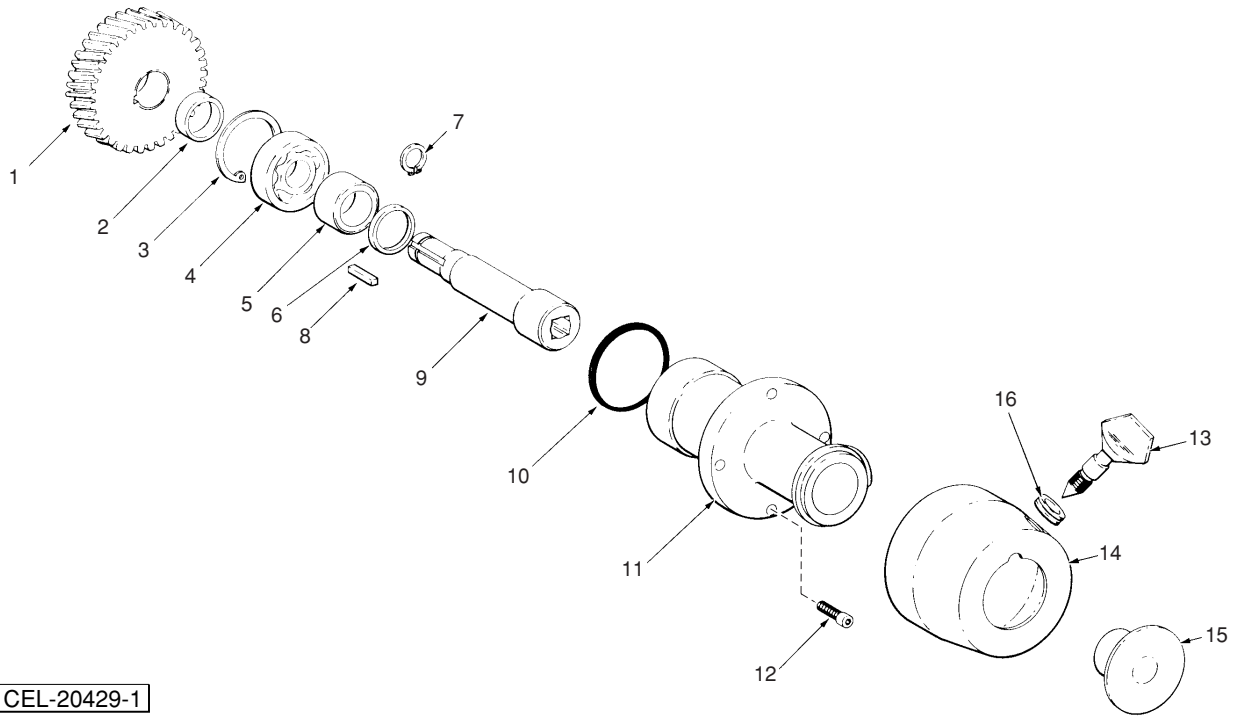


CEL-21133-1

SWITCH UNIT

SWITCH UNIT

ILLUS. CEL-21133-1	PART NO.	NAME OF PART	AMT.
1	117705	Bushing - Switch Rod	1
2	RR-4-17	Retaining Ring	1
3	291697	Rod - On/Off	1
4	116713	Clevis	1
5	PC-3-23	Cotter Pin $\frac{1}{16}$ x $\frac{1}{2}$	1
6	77390	Pin - Clevis	1
7	291698	Shaft - Switch Control	1
8	117633	Bracket - Switch Control Rod	1
9	SD-15-4	Self-Tapping Screw 10-24 x $\frac{1}{2}$ Pan Hd., Type TT	2
10	291780-1	Clevis - Switch End	1
12	SD-15-4	Self-Tapping Screw 10-24 x $\frac{1}{2}$ Pan Hd., Type TT	2
16	270532	Bracket - Electrical	1
17	SC-27-30	Mach. Screw 8-32 x $\frac{1}{2}$ Rd. Hd. (Common Ground)	1
18	WL-8-13	Lock Washer 10 Int. Shakeproof	1
19	NS-9-12	Mach. Nut 8-32 Hex	1
20	SC-18-1	Mach. Screw 10-24 x $\frac{3}{8}$ Pan Hd.	2
21	WL-3-24	Lock Washer 10 Medium	2
22	NS-9-22	Mach. Nut 10-24 Hex	2
24	87713-38-1	Contacto 2 Pole (220 Volt Coil)	1
31	88196-12-6	Overload Relay (6.0A - 10.0A)	1
32	77381	Spring - Ball Detent	1
33	SC-64-23	Set Screw $\frac{5}{16}$ -18 x $\frac{3}{8}$ Hdls., Oval Pt.	1
34	SD-15-25	Self-Tapping Screw $\frac{1}{4}$ -20 x $\frac{5}{8}$ Hex Washer Hd., Type TT	2
35	87711-202-1	Switch - Miniature	AR
36	SC-60-40	Mach. Screw 4-40 x $\frac{5}{8}$ Rd. Hd.	AR
37	291757	Pin - Interlock Bar	1
38	PC-3-23	Cotter Pin $\frac{1}{16}$ x $\frac{1}{2}$	1
39	77390	Pin - Clevis	1
40	RR-4-25	Retaining Ring	1
41	RR-2-36	Roll Pin $\frac{1}{8}$ Dia. x 1 Lg.	1
42	291805	Insulator - Snap Switch	1
43	87711-201-2	Switch	1
44	SC-60-40	Mach. Screw 4-40 x $\frac{5}{8}$ Rd. Hd.	2
45	RP-2-36	Roll Pin $\frac{1}{8}$ Dia. x 1 Lg.	1
46	WS-23-19	Washer	1
47	SC-68-7	Mach. Screw 10-24 x $\frac{3}{8}$ Hex Hd.	1
48	291700-2	Frame - Switch Interlock	1
49	BA-2-10	Ball $\frac{1}{4}$ Dia.	1
50	120126	Pull Knob & Label Assy. (Incls. items 51 & 52)	1
51	SC-47-95	Set Screw $\frac{5}{16}$ -18 x $\frac{1}{4}$ Soc. Hdls., Cup Pt.	1
52	119601	Label - Knob (Start/Stop)	1
53	78752-12	Clamp $\frac{1}{4}$	1
54	SC-8-10	Mach. Screw 10-24 x $\frac{1}{2}$ Rd. Hd.	1
55	WL-8-13	Lock Washer 10 Int. Shakeproof	1
56	NS-9-22	Mach. Nut 10-24 Hex	1



CEL-20429-1

ATTACHMENT DRIVE UNIT

ILLUS.	PART NO.	NAME OF PART	AMT.
	CEL-20429-1		
1	291703	Gear - Attachment Hub (20T)	1
2	292031	Spacer - Attachment Hub	1
3	RR-6-2	Retaining Ring	1
4	BB-7-52	Ball Bearing Fafnir 2205KDD	1
5	83440	Bearing (Oil-less)	1
6	70090	Seal - Oil	1
7	RR-4-9	Retaining Ring	1
8	12430-47	Key - Attachment Hub	1
9	291689	Shaft - Attachment Hub	1
10	67500-54	"O" Ring - Attachment Hub	1
11	291635	#12 Attachment Hub & Bearing (Incls. items 5 & 6)	1
12	SC-89-4	Cap Screw 1/4-20 x 1 Hex Hd.	4
13	291702	Thumb Screw Assy.	1
*14	292908	Cap - Trim	1
15	114824-1	Plug - Attachment Hole	1
16	79537	Grommet - Thumb Screw	1
	103881-22	Lubricant/Container (Marfak MP2) (16 oz.)	1

* Previous Trim Cap did not require grommet. To replace, order item 14 Trim Cap & item 16 Grommet.