



## Principle

Middleby Marshall PS Series conveyor ovens bake both faster and at a lower temperature than other ovens. Vertical columns of hot air move heat aerodynamically instead of using high temperatures. The streams of hot air remove the boundary layers of cool heavy air which tend to insulate the product. All Middleby ovens are designed to cook a multitude of products including pizza, seafood, sandwiches, bagels, ethnic foods and more.

## General Information

The PS528 conveyor oven is ideally suited for Kiosk and express-style locations where smaller ovens are required.

## Standard Features

- Patented EMS Energy Management System\* reduces gas consumption and increases cooking efficiency
- 28" (711mm) long cooking chamber with 18" (457.2mm) belt
- 50" (1270mm) long, 40-3/4" (1035mm) deep, and 21-3/4" (552.4mm) high overall dimensions
- Furnished with 4" (101.6mm) legs
- Stackable up to three high.
- Microprocessor-controlled bake time/conveyor speed
- Stainless steel front, sides, top and interior
- Reversible conveyor direction
- 6" (152.4mm) Extension Tray
- 12" (304.8mm) Extension Tray
- 15" (381mm) wide front window

## Optional Features

- Stand with casters
- Extended warranty available

## Conserves Energy

Unit incorporates a patented Energy Management System - EMS. Middleby ovens provide very efficient heat transfer to product. Energy is conserved as air is recycled from heater to product, with minimum loss. Oven is cool to the touch.

## Cleanability

PS528 Ovens are designed for easy cleaning. Removable parts include: crumb pans, end panels, air fingers, exit tray, and a removable conveyor belt assembly.

## Easily Services

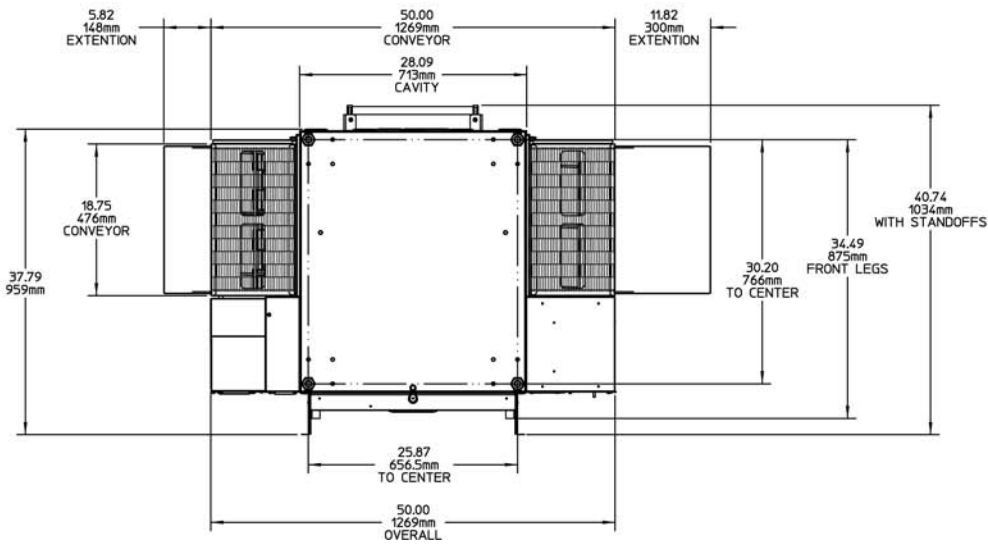
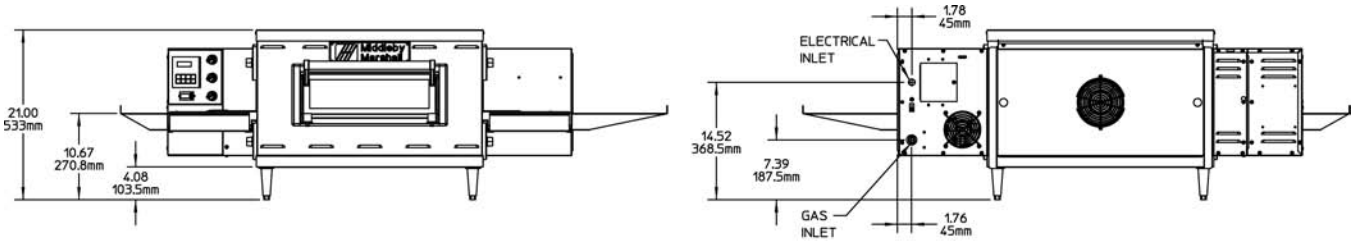
Control compartment is designed for quick and easy access.

## Warranty

All PS528 models have a one year parts and labor warranty.

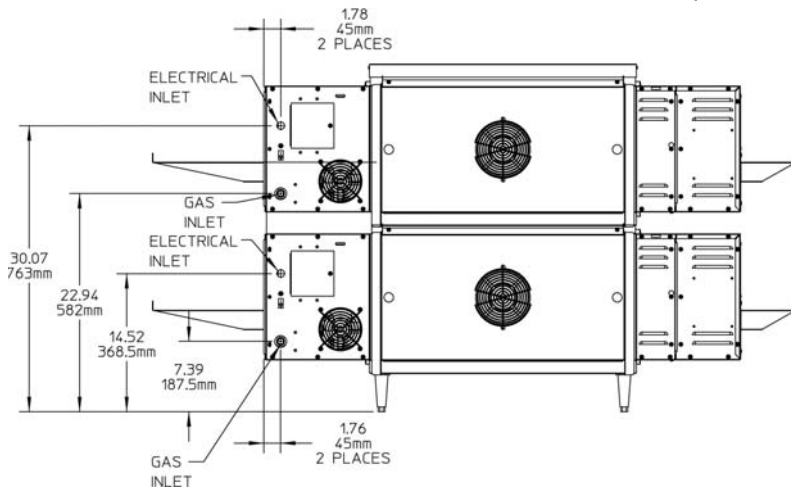
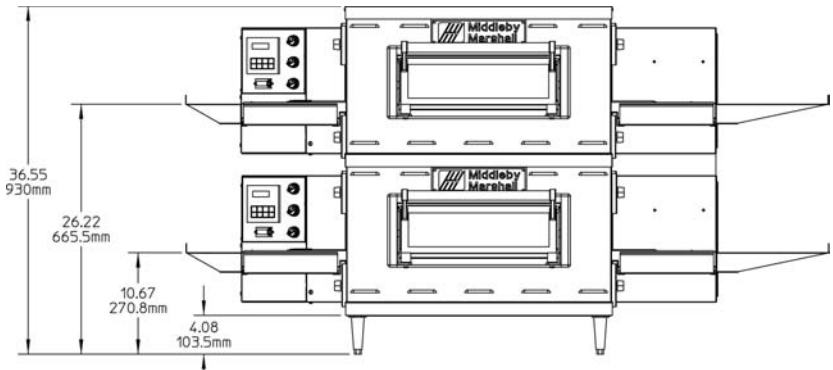
## Ventilation

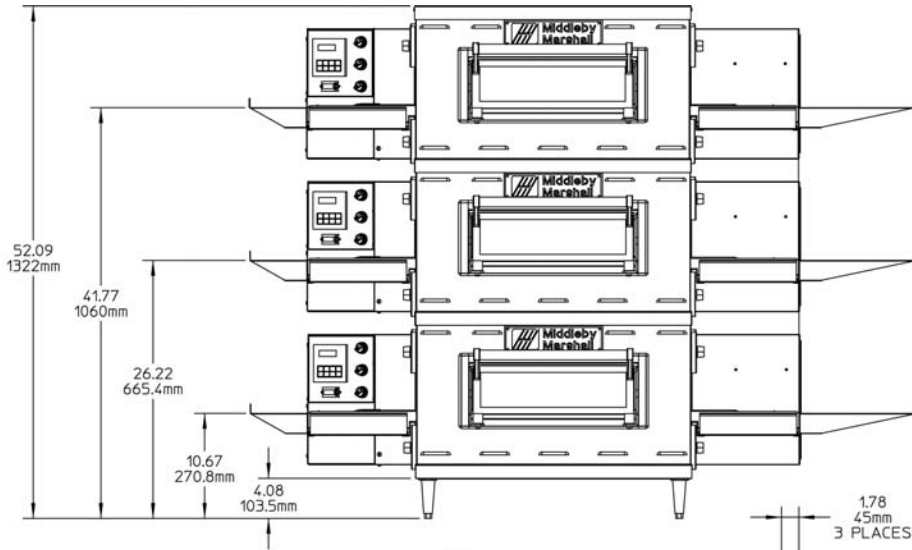
Use of a ventilation hood is required.



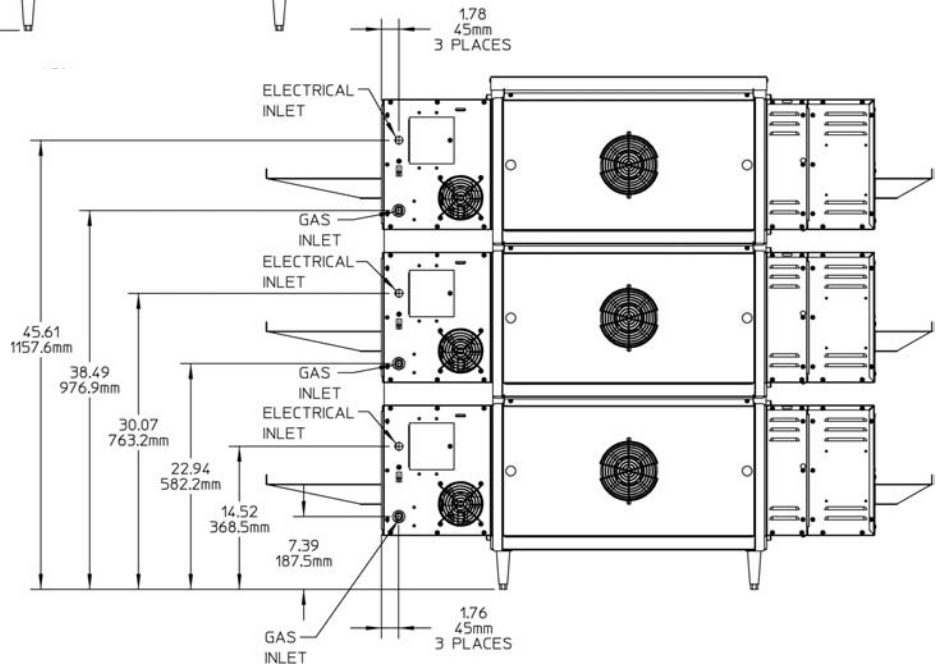
PS528-1

PS528-2

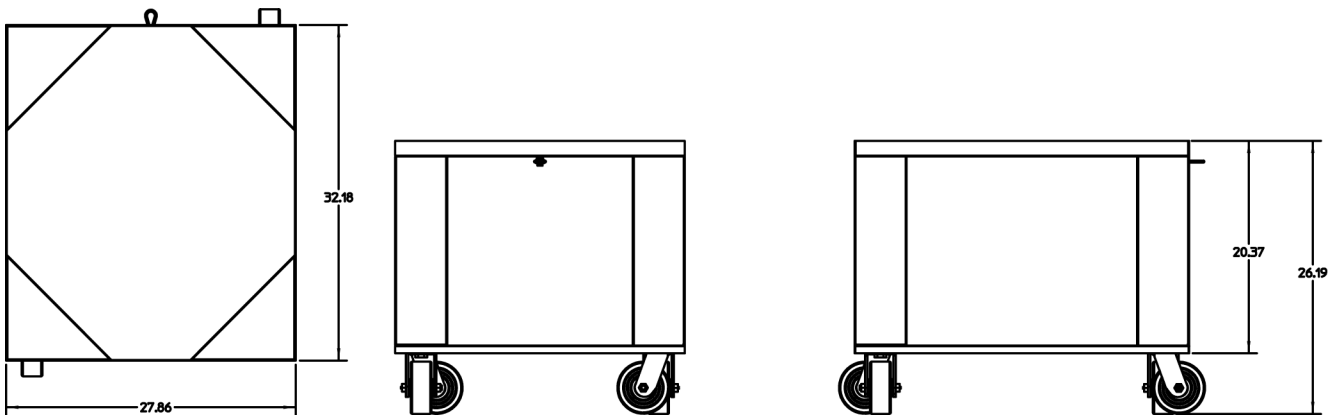




PS528-3



Optional cart available for PS528G Series



**RECOMMENDED MINIMUM CLEARANCES**

Rear of Oven to Wall	Control end of conveyor to wall	Non-control end of conveyor to wall
0"	0"	0"

**GENERAL SPECIFICATIONS**

	Heating Zone	Baking Area	Belt Length	Overall Length (exit trays installed)			Maximum Operating Temp	Bake Time Range	Ship Wt	Ship Cube	
				Belt Width	Height	Depth					
PS528-1	28" 711mm	3.5 sq ft 0.33 sq m	50" 1270 mm	18" 457mm	68" 1727mm	21.10" 536mm	40.75" 1035mm	600°F 316°C	1-30 min	325 lbs 147.42kg	22.1 ft³ 0.62m³
PS528-2	56" 1422mm	5.0 sq ft 0.66 sq m	50" 1270 mm	18" 457mm	68" 1727mm	36.55" 930mm	40.75" 1035mm	600°F 316°C	1-30 min	650 lbs 294.48 kg	44.2 ft³ 1.24m³
PS528-3	84" 2133mm	7.5 sq ft 0.99 sq m	50" 1270 mm	18" 457mm	68" 1727mm	52.08" 1322mm	40.75" 1035mm	600°F 316°C	1-30 min	975 lbs 442.25 kg	66.3 ft³ 1.86m³

**ELECTRICAL SPECIFICATIONS**

Version	Voltage	Phase	Freq	Current Draw	Supply	Breakers
Domestic and std. export	208/240v	1	50/60 hz	2.0 Amp	2 pole, 3 wire	As per local codes

\* The current draw rating shown above are maximum values for normal operation, amperage draw will be less than the listed value.

Each oven includes a 6 ft cord with NEMA# L6-20P plug. Customer to provide NEMA# L6-20R receptacle.

**GAS SUPPLY SPECIFICATIONS**

Version	Gas Type	Supply (inlet) Pressure	Regulated Pressure	Rated Heat Input
Domestic & std export	Natural Gas	6-8" W.C. (14.9-19.9mbar) *	3.5" W.C. (8.72mbar)	50,000 BTU
Domestic & std export	Propane Gas	6-8" W.C. (14.9-19.9mbar) *	3.5" W.C. (8.72mbar)	50,000 BTU

\* The required gas supply pressures of other locations are dependent on the local gas type and on all applicable local codes.

**Minimum Gas Pipe Sizes:**

- \* Natural Gas - 1 1/2" (31.8 mm) main supply line. One 3/4" (19mm) NPT branch per oven cavity with individual full-flow shutoff valve.
- \* Propane Gas - 1 1/2" (31.8 mm) main supply line. One 3/4" (19mm) NPT branch per oven cavity with individual full-flow shutoff valve

Each oven includes (1) 3/4"(19mm)NPT x 36"(914mm) flexible, vinyl coated stainless steel braided gas hose.